



**Ordering number** C12086  
**Description** 1

Family	Strada-Forward	FWHM	Asym degrees
Type	Lens	Efficiency	92 %
LED	Double Dome (GM2BB)	cd/lm	-
Color	Clear	Gerber File	Available
Diameter	15.4 x 19.6 mm		
Height	10.66 mm		
Style	Rectang		<a href="http://www.ledil.fi/Strada-F_Fully_Asymmetrical_Forward_Thro">http://www.ledil.fi/Strada-F_Fully_Asymmetrical_Forward_Thro</a>
Optic Material	PMMA		
Holder Material	-		
Fastening	-		
Status	Ready		

**NOTE: The typical divergence will be changed by different color, chip size and chip position tolerance. The typical total divergence is the full angle measured where the luminous intensity is half of the peak value.**

D

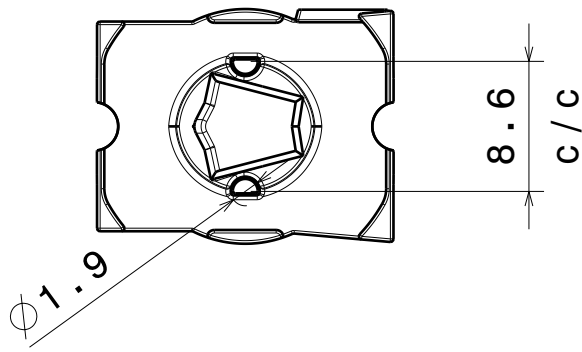
C

B

A

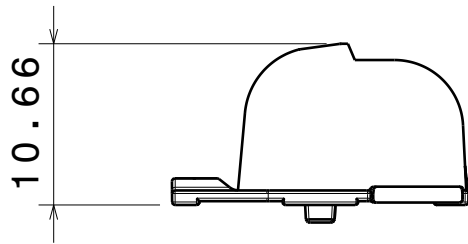
4

4



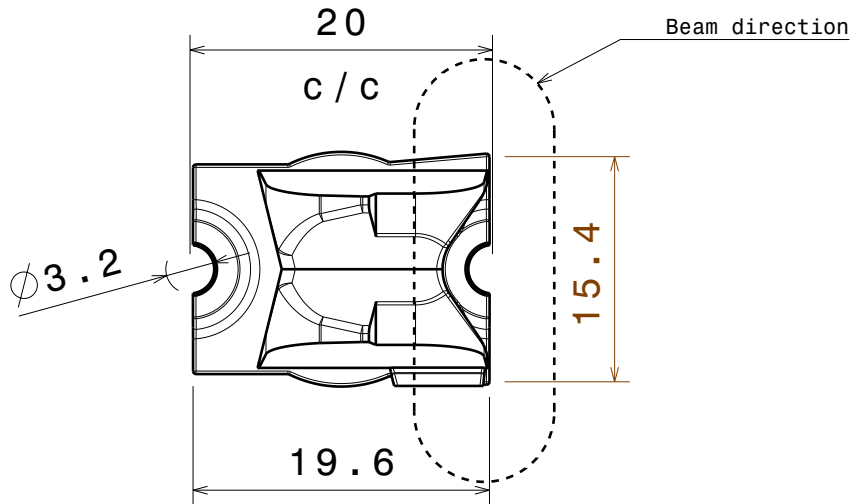
3

3



2

2



MATERIALS  
Lens: PMMA

This drawing is our property.  
It can't be reproduced  
or communicated without  
our written agreement.



Ledil Oy  
Salorankatu 10  
24240 SALO  
Finland

DRAWING TITLE

Datasheet Strada-FW lens

DRAWN BY

ah

DATE

6.7.2012

CHECKED BY

ah

DATE

6.7.2012

DESIGNED BY

hh

DATE

22.8.2011

SIZE

A4

DRAWING NUMBER

C12086

REV

2

SCALE

2:1

WEIGHT (g)

SHEET

1/1

D

A

1

1