

Fuse blocks with screw connection

The fuse blocks of this type have a flip top disconnect lever. It accepts fine-wire fuses of 5x20, 5x25 and 5x30mm (terminal width: 8mm) or 6.3x32mm (terminal width: 10mm). The hinged lever has latch points both in the open and in the closed state, and can be sealed.

All terminal blocks are available in two different versions, i.e. with or without red LEDs functioning as indicators.

¹⁾ When selecting G fuse inserts, make sure that the specified maximum power loss is not exceeded. The current is determined by the inserted fuse.

²⁾ The voltage range is determined by the built-in LED display. Depending on the application and the installation method, the circumstances for increased temperature must be checked in the closed fuse holders. Higher ambient temperatures are an additional load for the fuse inserts. Therefore, the reduction of the rated current must be considered accordingly in these applications.

¹⁾ Maximum power loss at 23°C ambient temperature (according to DIN EN 60947-7-3)

Type	Rated-voltage	Overload protection		Exclusive short-circuit protection	
		Single arrangement	Group arrangement	Single arrangement	Group arrangement
THSi 5x20/25	250 V	1.6W	1.6W	4.0W	2.5W
THSi 6,3x32	500 V	2.5W	2.5W	4.0W	2.5W
THSi 5x30	500 V	1.6W	1.6W	4.0W	2.5W

EN 60947-7-1, EN 60 127-6

UL ratings

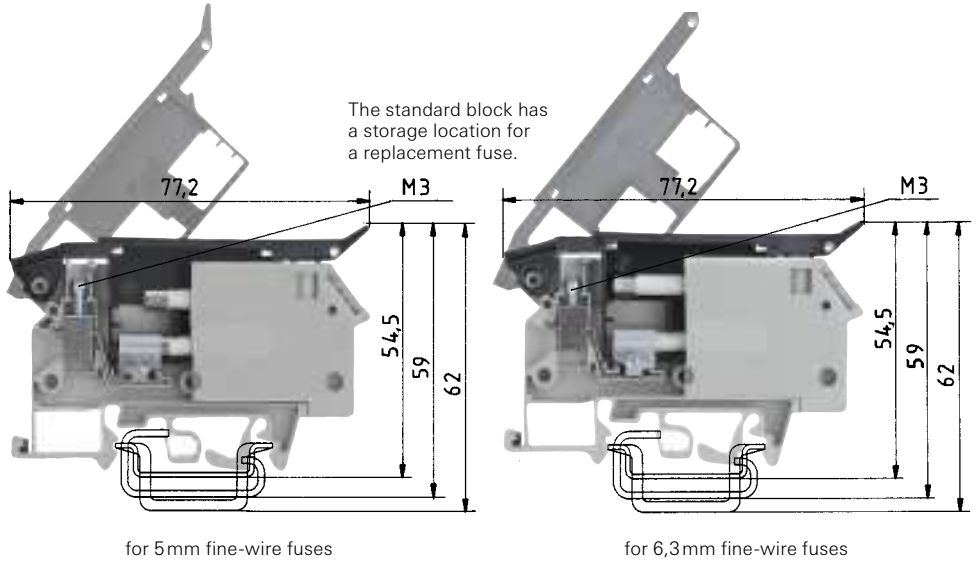
CSA ratings

Width

Approvals

Field/factory wiring

Wire strip length



WK 4 THSi 5... /U

fine-stranded solid

0.5-4 mm² 0.5-6 mm²

No. 22-10 AWG

No. 22-10 AWG

8mm



V

800V/8kV/3²⁾

600V²⁾

600V²⁾

A

6.3¹⁾

15

6.3

8mm

WK 4 THSi 6,3... /U

fine-stranded solid

0.5-4 mm² 0.5-6 mm²

No. 22-10 AWG

No. 22-10 AWG

10mm



V

800V/8kV/3²⁾

600V²⁾

600V²⁾

A

10¹⁾

15

10

8mm

Fuse block		Type	Part No.	Std. Pack	Type	Part No.	Std. Pack
	gray	WK 4/THSi 5 ... U	57.904.5355.0	50	WK 4/THSi 6,3 ... U	57.904.6355.0	50
- with LED	5 - 12 V~/I ^{max} current consumed. 2.3 - 7 mA	WK 4/THSi 5 LED 12 U	57.904.5455.0	50	WK 4/THSi 6,3 LED 12 U	57.904.6455.0	50
- with LED	12 - 24 V~/I ^{max} current consumed. 2.8 - 6,2 mA	WK 4/THSi 5 LED 24 U	57.904.5555.0	50	WK 4/THSi 6,3 LED 24 U	57.904.6555.0	50
- with LED	24 - 60 V~/I ^{max} current consumed. 1.5 - 4 mA	WK 4/THSi 5 LED 60 U	57.904.5655.0	50	WK 4/THSi 6,3 LED 60 U	57.904.6655.0	50
- with GL	110 - 250 V~/I ^{max} current consumed. 0.13 - 0.55 mA	WK 4/THSi 5 GL 250 U	57.904.5755.0	50	WK 4/THSi 6,3 GL 250 U	57.904.6755.0	50
- with GL	380 - 500 V~/I ^{max} current consumed. 0.2 - 0.3 mA	WK 4/THSi 5 GL 500 U	57.904.5855.0	50	WK 4/THSi 6,3 GL 500 U	57.904.6855.0	50
Fuse block gray							
- with screw cap A DIN 41674 for G-fuses DIN 41571							
- with screw cap B DIN 41674 for G fuses DIN 41576							
- with screw cap A DIN 41674 for G-fuses							
- with screw cap for G-fuses							
Feed-through block , same dimensions as fuse block gray							
Accessories							
1. Mounting rail TS 35, DIN rail 7.5 mm high	L = 2 m	35 x 27 x 7,5 EN 60715	98.300.0000.0	1	35 x 27 x 7,5 EN 60715	98.300.0000.0	1
Mounting rail TS 35, DIN rail, 15 mm high	L = 2 m	35 x 27 x 15 EN 60715	98.370.0000.0	1	35 x 27 x 15 EN 60715	98.370.0000.0	1
Mounting rail TS 32, G rail	L = 2 m	9006 EN 60715 G-32	98.190.0000.0	1	9006 EN 60715 G-32	98.190.0000.0	1
2. End clamp with U-foot	10 mm wide	WE 1/U	Z5.523.5753.0	100	WE 1/U	Z5.523.5753.0	100
End clamp TS 35, with screw	8 mm wide	9708/2 S 35	Z5.522.8553.0	100	9708/2 S 35	Z5.522.8553.0	100
End clamp TS 35, without screw	8 mm wide	WEF 1/35	Z5.523.9353.0	100	WEF 1/35	Z5.523.9353.0	100
3. End plate	gray						
4. Cross connector with screws	2 pole						
	3 pole						
	up to 6 pole						
5. Transparent block cover (for 1 block)							
For more accessories see pages 62-79							
For marking systems see pages 72-77							