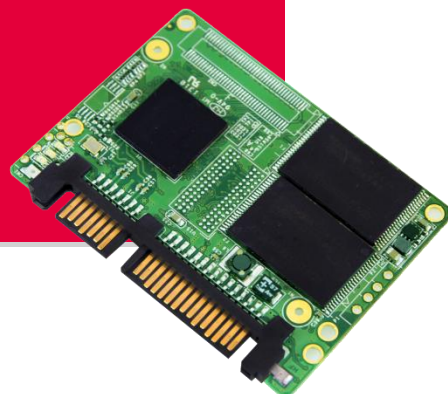


Datasheet

SATA Slim

3ME series

- SATA III solution for industrial field
- iSMART disk health monitoring
- Intelligent error recovery system
- Excellent data transfer speed
- Zero mechanical interference
- Compatible with JEDEC MO-297 standard



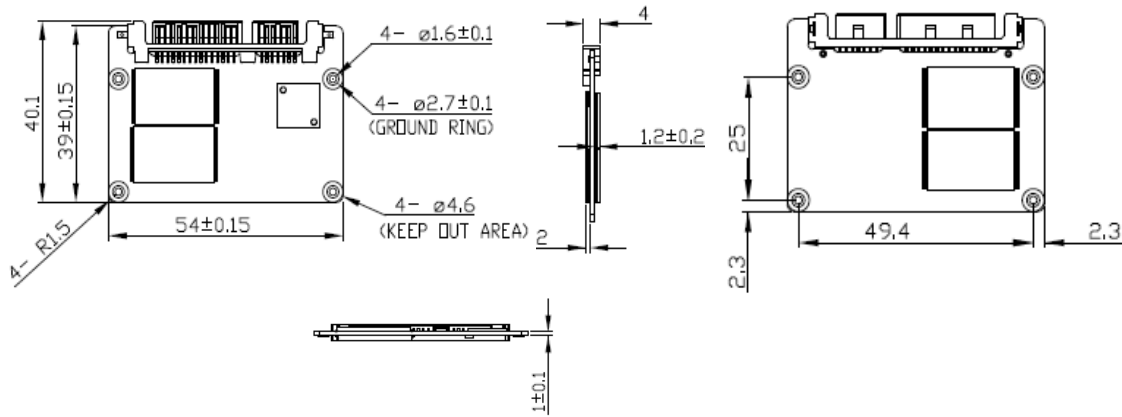
Introduction

Innodisk SATA Slim 3ME is SATA III 6Gb/s Flash based disk, which designed with standard SATA interface (7+15 SATA connector), and compliant with JEDEC MO-297 standard. With its smaller dimension, SATA Slim 3ME is an alternative solution of 2.5" SSD for those embedded system that may have mechanical and space concerns. Innodisk SATA Slim 3ME operates under SATA III (6.0Gb/s) interface with excellent performance and reliability making it the ideal solution for a variety of applications, including embedded system, and industrial field.

SATA Slim

3ME series

Drawing



Contact us for more information about the SATA Slim 3ME

Innodisk is a service-driven provider of industrial embedded flash and DRAM storage products and technologies, with a focus on the industrial/embedded, aerospace and defense, and cloud computing industries.

Specifications

Interface	SATA III
Flash Type	MLC
Flash P/E Cycle Limit	3000
Capacity	8GB~128GB
Max. Channels	4
Sequential R/W (MB/sec, max.)	460 / 160
Max. Power Consumption	1.6W (5V x 310 mA)
Thermal Sensor	ST- Optional/ WT- Default
External DRAM Buffer	-
H/W Write Protect	-
Pin7 Power	-
ATA Security	√
S.M.A.R.T.	√
Dimension (WxLxH)	54.0 X 39.0 X 4.0 mm
Environment	Vibration: 20G @7~2000Hz Shock: 1500G @ 0.5ms Storage Temperature: -55°C ~ +95°C MTBF: 3 million hours

Headquarters (Taiwan)

5F., No.237, Sec. 1, Datong Rd.,
Xizhi Dist., New Taipei City 221,
Taiwan (R.O.C.)
Tel: +886-2-77033000
Email: sales@innodisk.com

Branch Offices:

USA
usasales@innodisk.com
+1-510-770-9421
Europe
eusales@innodisk.com
+31-040-282-1818
Japan
jpsales@innodisk.com
+81-45-594-7581
China
sales_cn@innodisk.com
+86-755-21673689
www.innodisk.com

© 2014 Innodisk Corporation.
All right reserved. Specifications
are subject to change without
prior notice.

20141023

Ordering Information

Operation Temp.	8GB	16GB	32GB	64GB	128GB
Standard Grade (0°C ~ +70°C)	DESLM-08GD07RC2SC	DESLM-16GD07RC2DC	DESLM-32GD06RC3QC	DESLM-64GD06RC3QC	DESLM-A28D06RC3QC
Industrial Grade (-40°C ~ +85°C)	DESLM-08GD07SW2SC	DESLM-16GD07SW2DC	DGSLM-32GD06SW3QC	DESLM-64GD06SW3QC	DESLM-A28D06SW3QC

innodisk

www.innodisk.com