



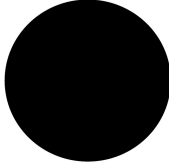
Legend plate mount, without plate



Powering Business Worldwide™

Part no. M22S-STDD-X
Article no. 216394
Catalog No. M22S-STDD-XQ

Delivery programme

Product range			RMQ-Titan (drilling dimensions 22.5 mm)
Basic function			Accessories
Basic function accessories			Legend holder
Single unit/Complete unit			Single unit
			Without label
Width		mm	30
Height		mm	75
Design			Round
Colour			Black
RAL Value			RAL 9005
			
Protection type			IP66
For use with			for double actuators
Connection to SmartWire-DT			no

Approvals

North America Certification

UL/CSA certification not required

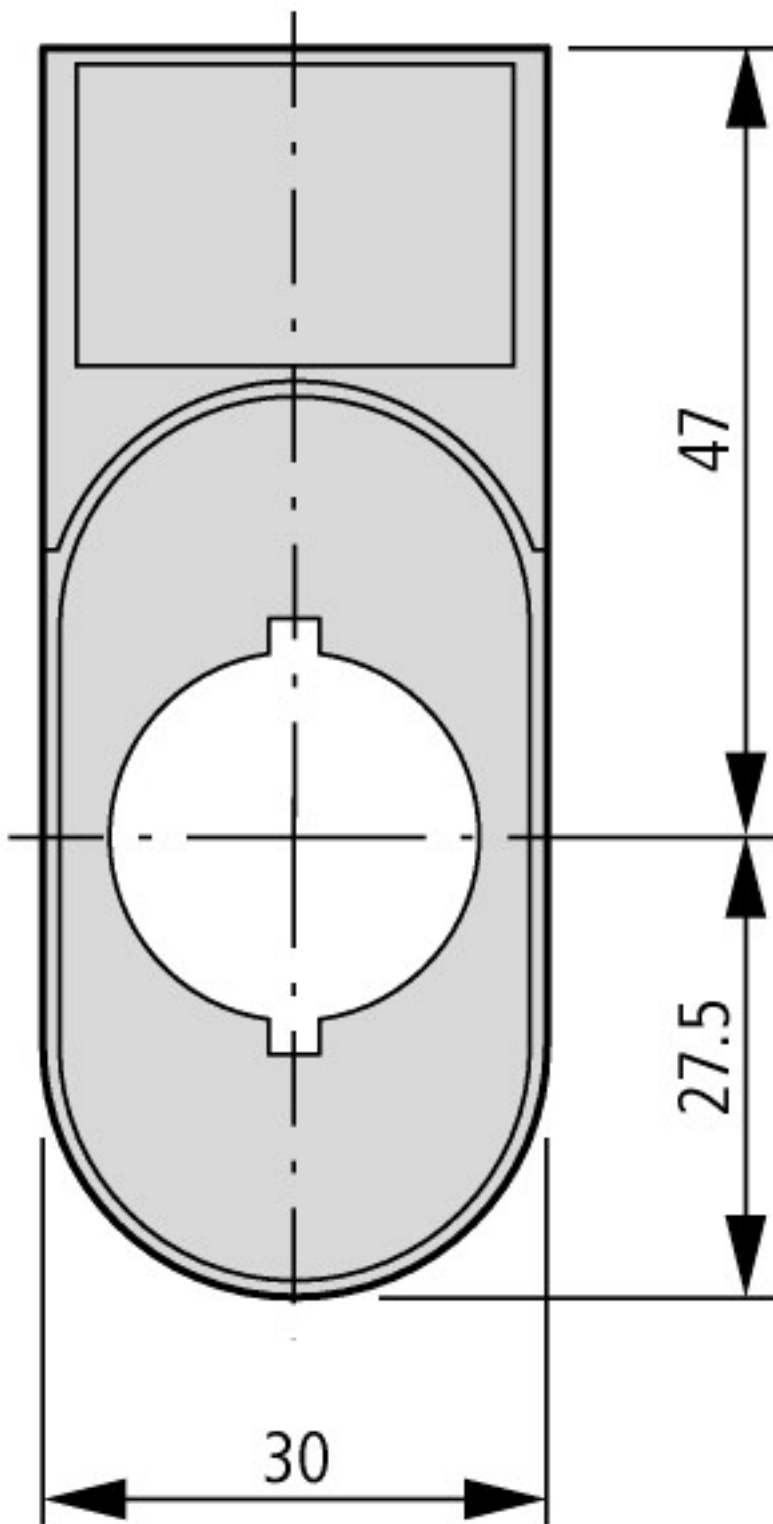
Technical data ETIM 5.0

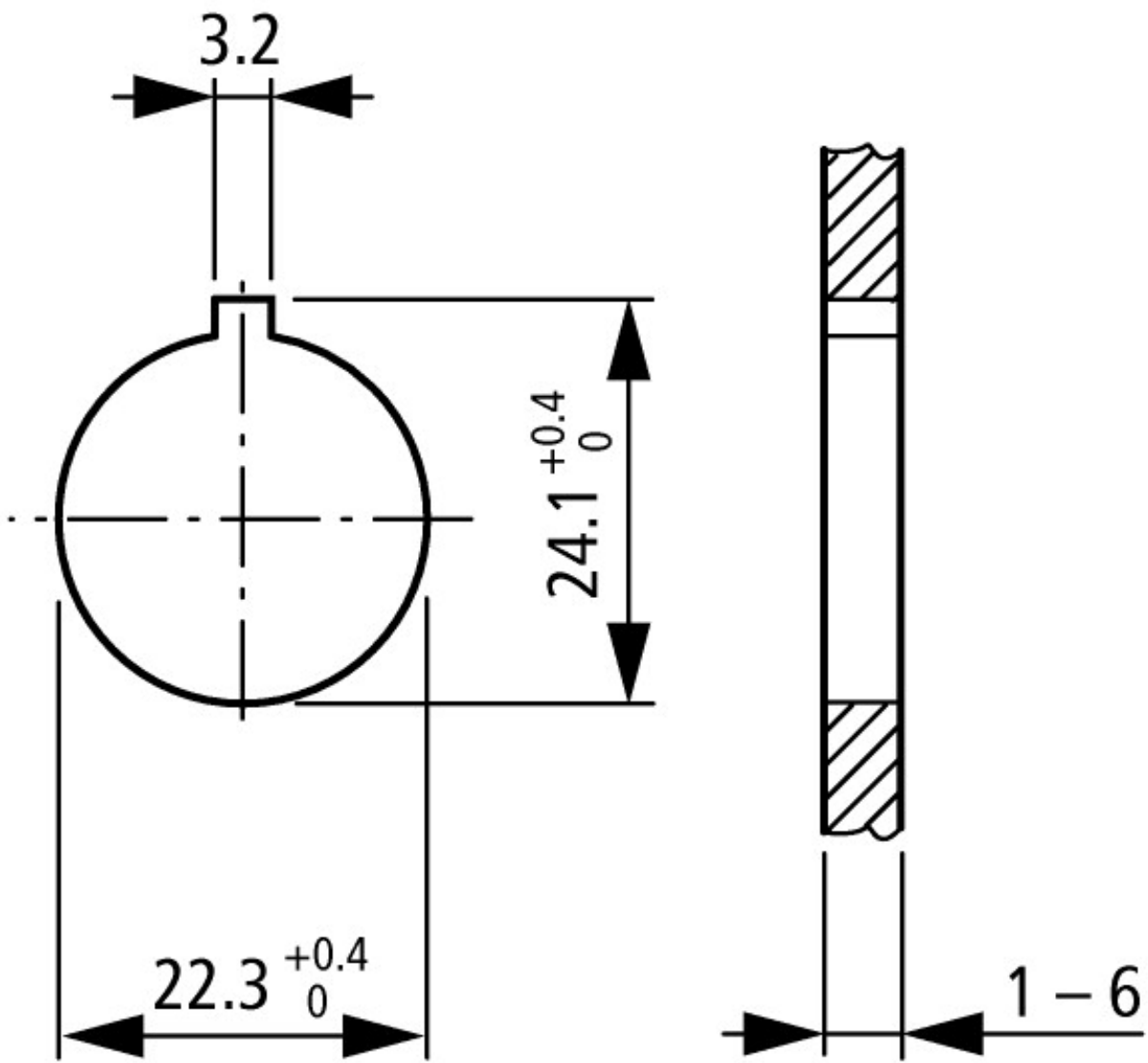
Low-voltage industrial components (EG000017) / Text plate holder for control circuit devices (EC001032)

Electric engineering, automation, process control engineering / Low-voltage switch technology / Command and alarm device / Sign carrier for command devices
 (ec1@ss8-27-37-12-29 [AKF047010])

Width		mm	30
Height		mm	50
Hole diameter		mm	22
Width opening		mm	22
Height meter opening		mm	0
Colour			Black
Shape			Rectangular

Dimensions





Mounting hole with lug slot

Actuating and indicator elements

Additional product information (links)

IL04716002Z (AWA1160-1745) RMO-Titan System

IL04716002Z (AWA1160-1745) RMO-Titan System

ftp://ftp.moeller.net/DOCUMENTATION/AWA_INSTRUCTIONS/IL04716002Z2013_08.pdf