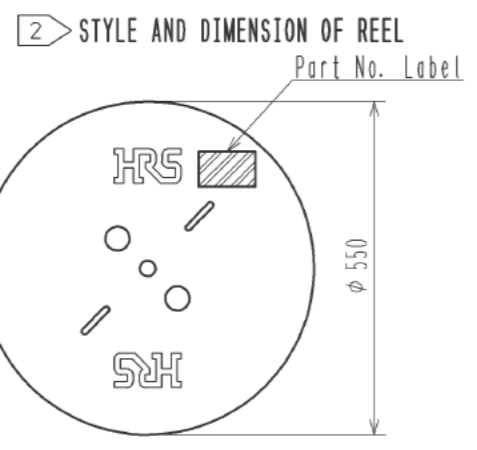
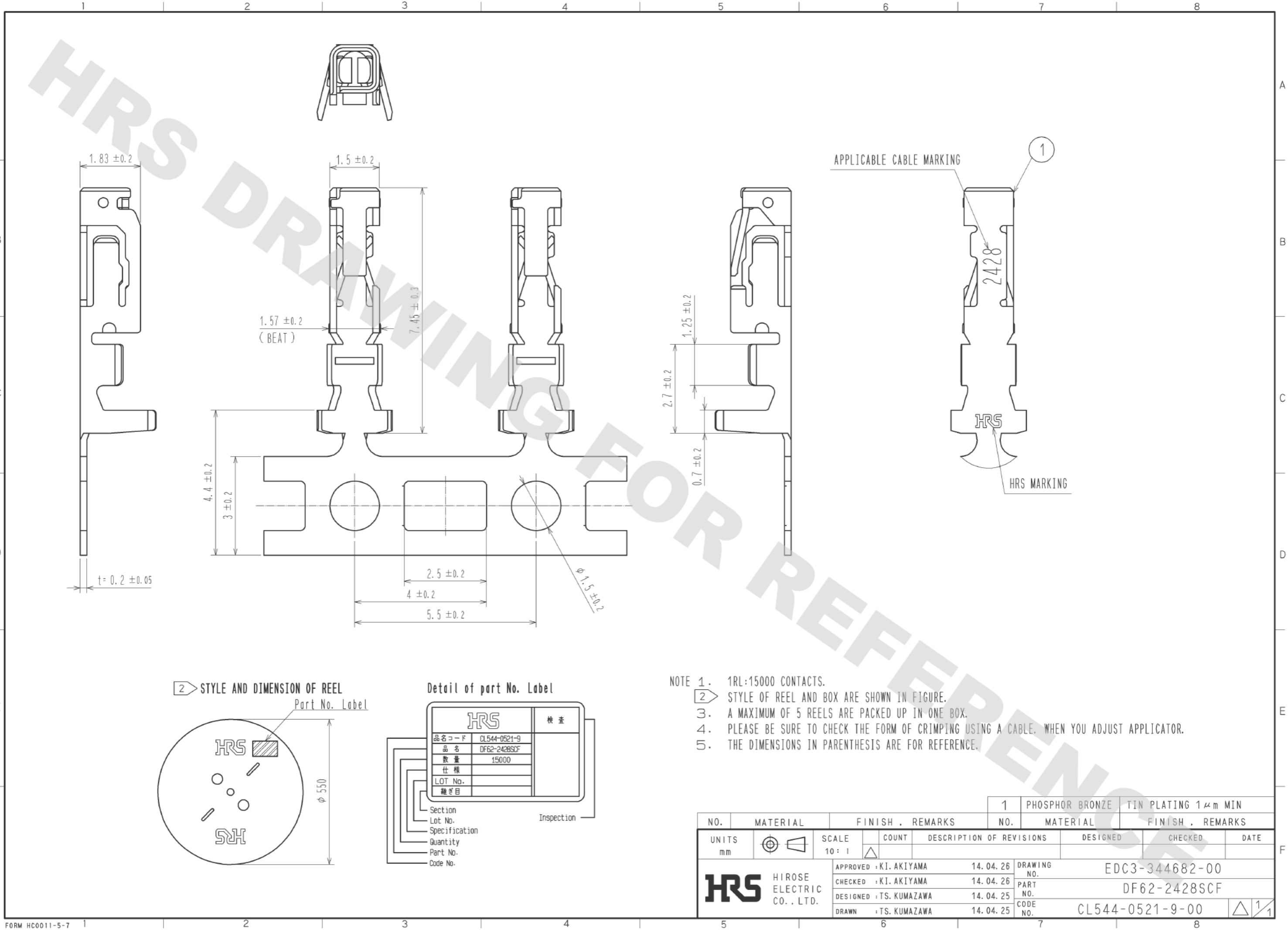


DRAWING FOR REFERENCE: This is subject to change without notice
05/31/2014



Detail of part No. Label

HRS		検査
品名コード	CL544-0521-9	
品名	DF62-2428SCF	
数量	15000	
仕様		
LOT No.		
繰り目		

Section
Lot No.
Specification
Quantity
Part No.
Code No.

Inspection

- NOTE
- 1RL:15000 CONTACTS.
 - 2 STYLE OF REEL AND BOX ARE SHOWN IN FIGURE.
 3. A MAXIMUM OF 5 REELS ARE PACKED UP IN ONE BOX.
 4. PLEASE BE SURE TO CHECK THE FORM OF CRIMPING USING A CABLE, WHEN YOU ADJUST APPLICATOR.
 5. THE DIMENSIONS IN PARENTHESIS ARE FOR REFERENCE.

NO.	MATERIAL	FINISH . REMARKS	NO.	MATERIAL	FINISH . REMARKS
			1	PHOSPHOR BRONZE	TIN PLATING 1 μm MIN
UNITS mm		SCALE 10 : 1	DESIGNED		
		COUNT	CHECKED		
		DESCRIPTION OF REVISIONS	DATE		
APPROVED : KI. AKIYAMA		14. 04. 26	DRAWING NO. EDC3-344682-00		
CHECKED : KI. AKIYAMA		14. 04. 26	PART NO. DF62-2428SCF		
DESIGNED : TS. KUMAZAWA		14. 04. 25	CODE NO. CL544-0521-9-00		
DRAWN : TS. KUMAZAWA		14. 04. 25	1/1		