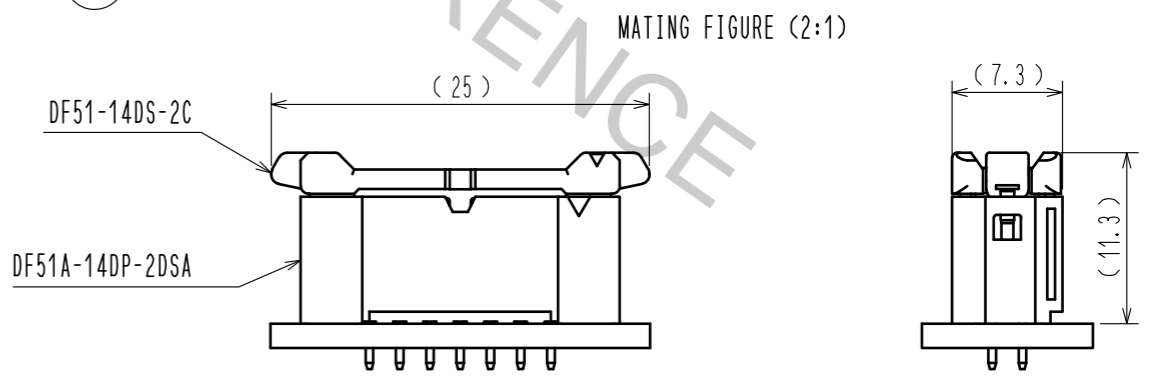
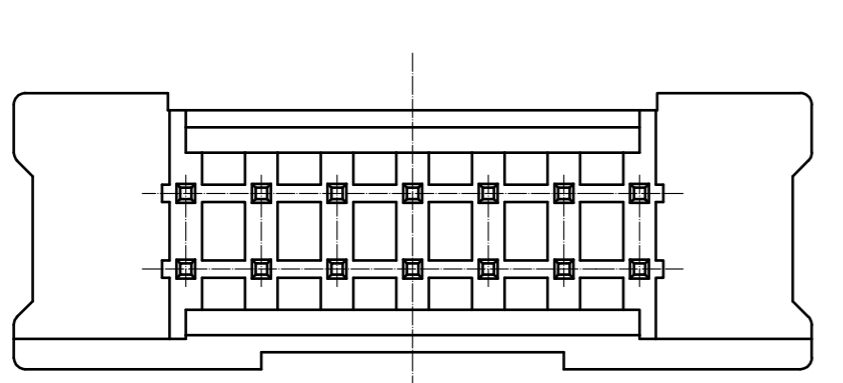
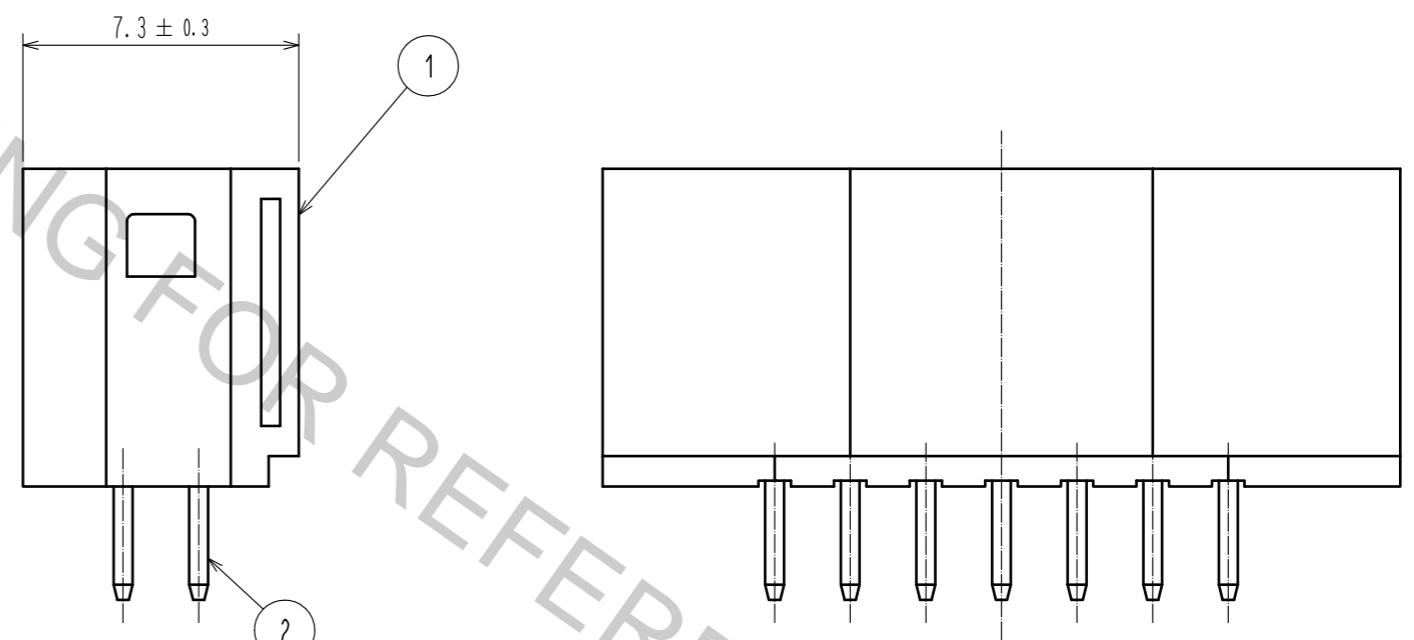
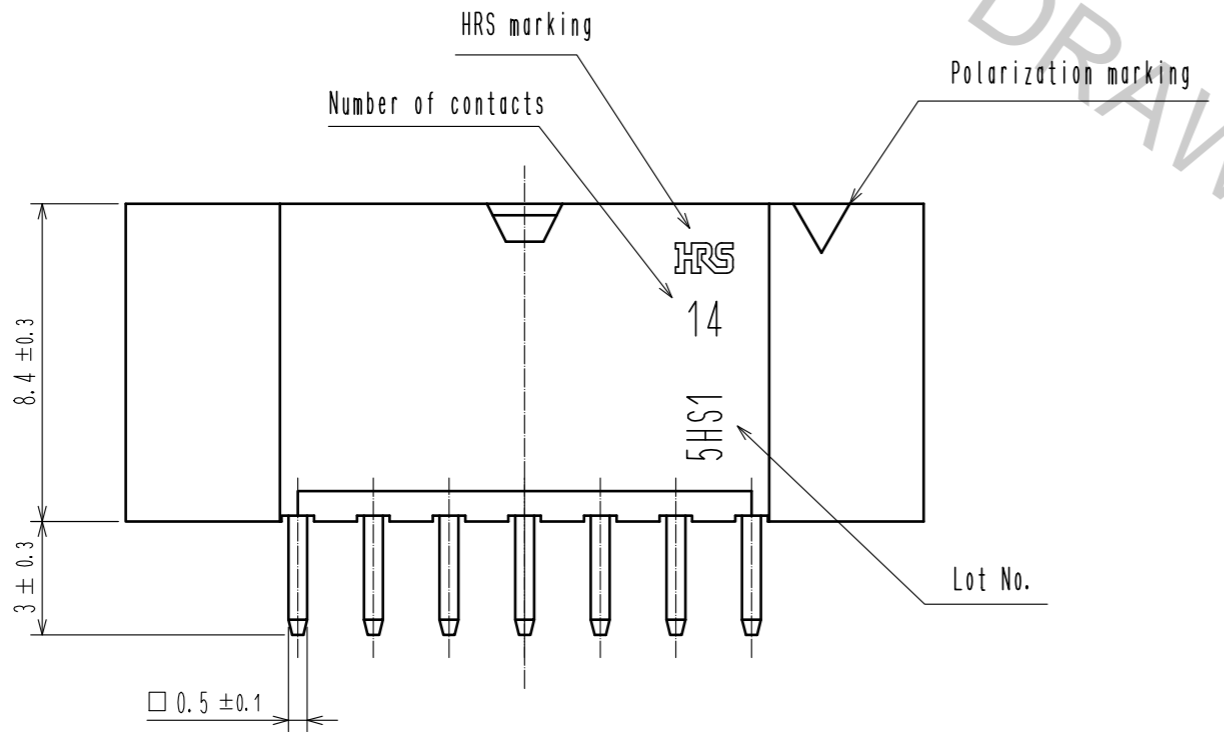
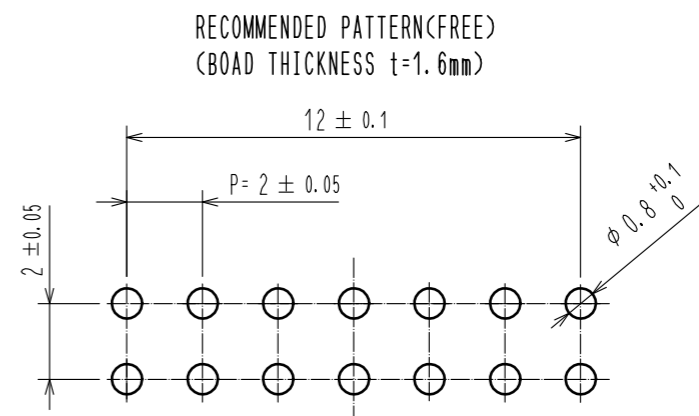
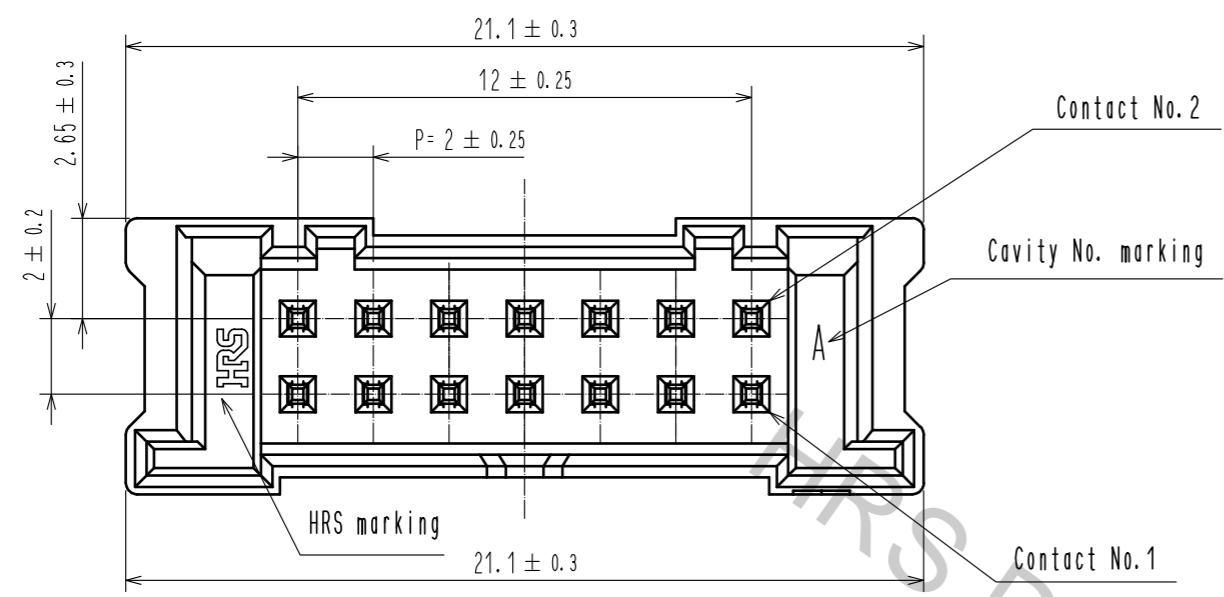


Jan.1.2019 Copyright 2019 HIROSE ELECTRIC CO., LTD. All Rights Reserved.
 In case that the application demands a high level of reliability, such as automotive,
 please contact a company representative for further information.



Note 1. Per pack : 100 Pieces.
 2. The dimension parenthesis are for reference.
 3. UL(File No. E52653).
 C-UL(File No. E52653) authorization article.



| | | | | | |
|---------------------------|----------|----------------------|------------|--|--|
| 1 | PBT | UL94V-0, BLACK | 2 | BRASS | SURFACE:Sn PLATING $1\mu\text{m}$ MIN UNDER PLATING:NICKEL PLATING $0.5\mu\text{m}$ MIN |
| NO. | MATERIAL | FINISH, REMARKS | NO. | MATERIAL | FINISH, REMARKS |
| UNITS mm | | SCALE 5 : 1 | COUNT 1 | DESCRIPTION OF REVISIONS DIS-H-00004471 | DESIGNED TS. MIYAKI |
| | | APPROVED : HS. OKAWA | 20171004 | DRAWING NO. EDC-363508-00-00 | |
| HIROSE ELECTRIC CO., LTD. | | CHECKED : ST. WADA | 20171004 | PART NO. DF51A-14DP-2DSA | |
| | | DESIGNED : TH. SATO | 20171004 | CODE NO. CL543-5048-0-00 | |
| | | DRAWN : TH. SATO | 20171004 | 1/1 | |