

Please note that the data given here has been taken from the online catalog. Please refer to the user documentation for comprehensive information and data. The General Terms and Conditions of Use apply to Internet downloads.

▶ Extract from the online catalog



VARIOSUB D-SUB 15 panel mounting frame, with gender changer, version: Male/Male

The illustration shows a 9-pos. male/male contact version

| | |
|-----------------|------------------|
| Order No. | 1689721 |
| Ord designation | VS-15-A-GC-ST/ST |

| | |
|--------------------------|-------------------|
| EAN | 4017918934132 |
| Pack | 5 Pcs. |
| Customs tariff | 85369010 |
| Catalog page information | Page 50 (PC-2005) |

▶ Technical data

Material data

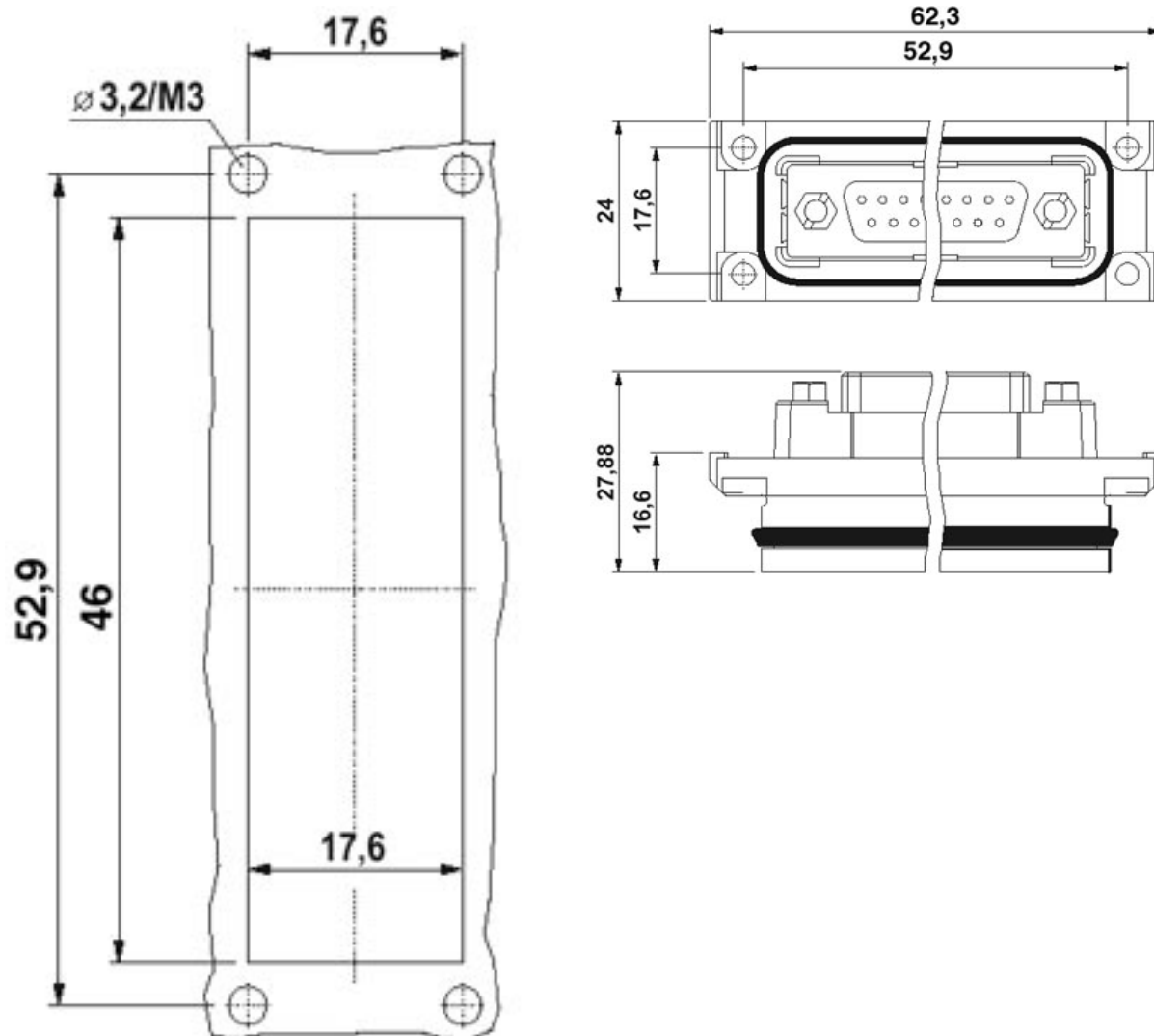
| | |
|------------------------------------|------|
| Degree of protection | IP67 |
| Inflammability class acc. to UL 94 | V0 |

Electrical characteristics

| | |
|---------------------------------|--------------------|
| Ambient temperature (operation) | -20 ° C ... 80 ° C |
|---------------------------------|--------------------|

► Drawings

Dimensioned drawing



► Accessories

| Item | Designation | Description |
|----------------|-------------|---|
| General | | |
| 1887099 | VS-15-SD | Protective cover, for covering the contact insert in the mounting frame or sleeve housing |

► Address

Phoenix Contact GmbH & Co. KG
Flachsmarktstr. 8
32825 Blomberg
Germany
Phone +49 5235 3 00
Fax +49 5235 3 1200
<http://www.phoenixcontact.com>

Phoenix Contact
Technical modifications reserved;