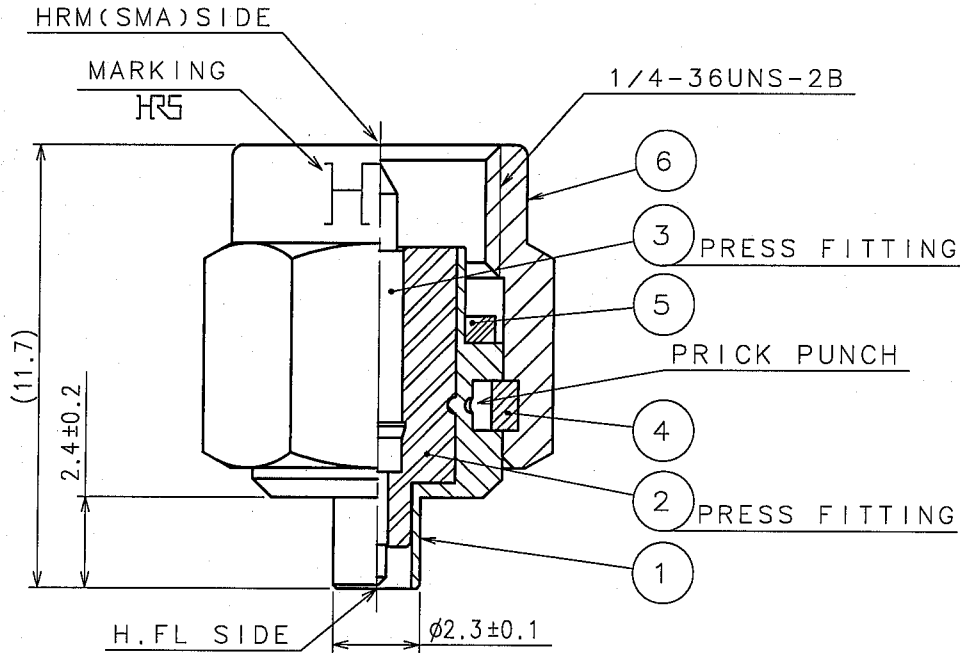
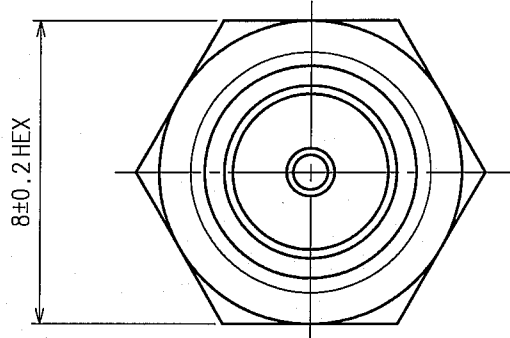


2007/02/01 01:08:26 SRoper

参考図：ご確認用。正式には別途納入仕様書をご請求願います。

| 1 | | 2 | | | 3 | | | 4 | | |
|-------|--------------------------|----|------|------|-------|--------------------------|----|------|------|--|
| COUNT | DESCRIPTION OF REVISIONS | BY | CHKD | DATE | COUNT | DESCRIPTION OF REVISIONS | BY | CHKD | DATE | |
| △ | | | | .. | △ | | | | .. | |
| △ | | | | | △ | | | | .. | |
| △ | | | | | △ | | | | .. | |



NOTE. USE ONLY FOR ELECTRICAL MEASUREMENT BECAUSE OF NO LOCKING DEVICE IN MATING PORTION ON H.F.L SIDE.

| 3 | BRASS | GOLD PLATING | 6 | STAINLESS STEEL | PASSIVATE |
|-----|-----------------|-----------------|-----|------------------|-----------------|
| 2 | PTFE | | 5 | SILICONE RUBBER | (RED) |
| 1 | STAINLESS STEEL | NICKEL PLATING | 4 | BERYLLIUM COPPER | NICKEL PLATING |
| NO. | MATERIAL | FINISH, REMARKS | NO. | MATERIAL | FINISH, REMARKS |

| | | | | | | |
|-------------------------------|--|-----------------------------|--------------------|-------------------|------------------|----------|
| CODE NO.(OLD) CL | | DRAWN | DESIGNED | CHECKED | APPROVED | RELEASED |
| RoHS COMPLIANT | | <i>M. Kaneko</i> | <i>T. Katayama</i> | <i>H. Shimizu</i> | <i>J. Mitani</i> | |
| | | 05.9.5 | 05.9.13 | 05.09.13 | 05.09.14 | |
| DRAWING NO. EDC4-047043-40 | | PART NO. HRMP-H.FLJ(40) | | | | |
| SCALE 5 : 1 | | CODE NO. CL311-0232-4-40 | | | | |
| UNITS mm | | HIROSE ELECTRIC CO.,LTD. | | | | |

TO
RF