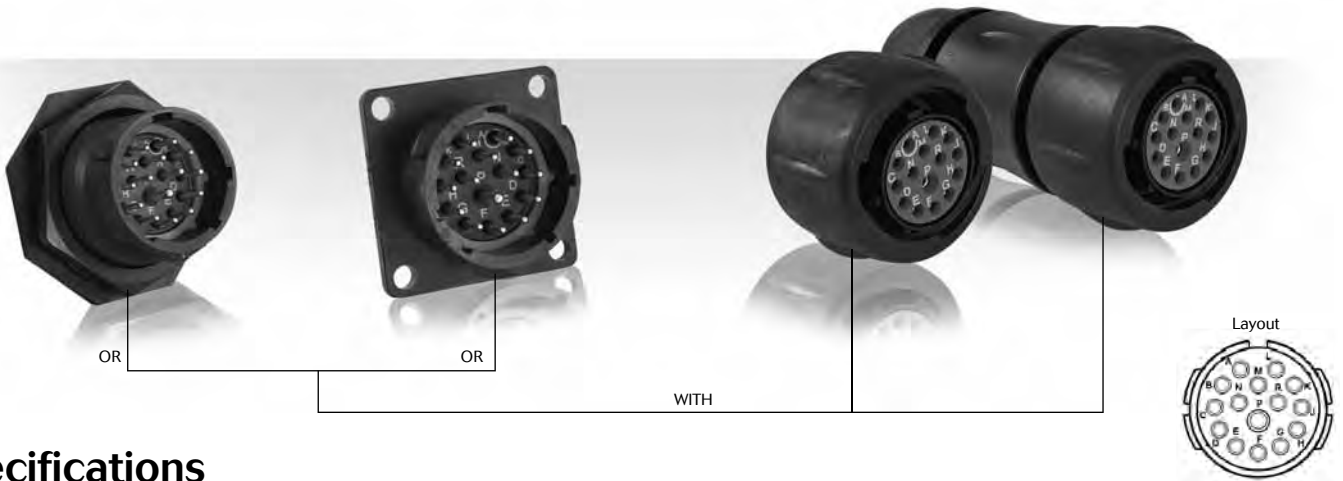


# UTS Series

## 14E15/14D15



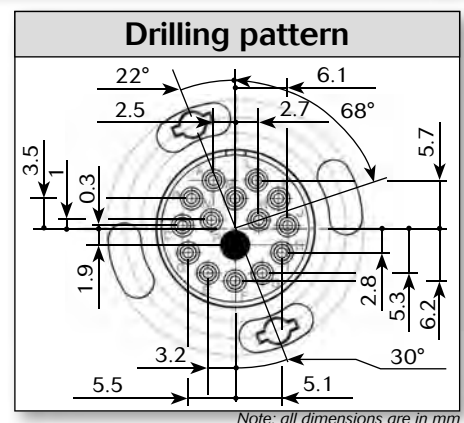
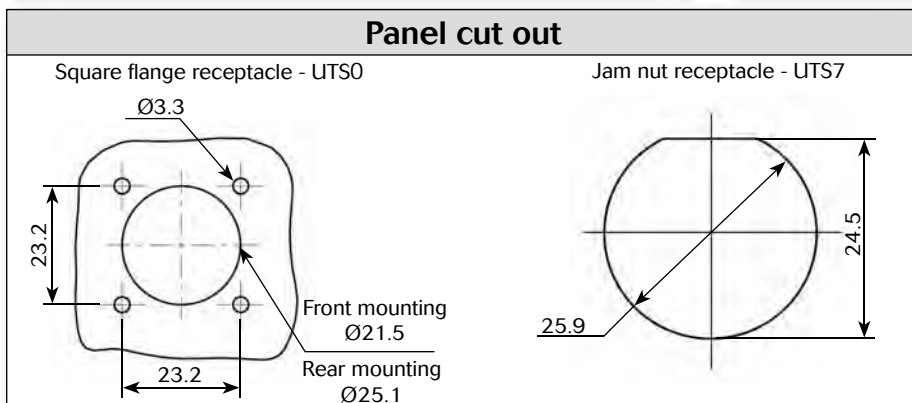
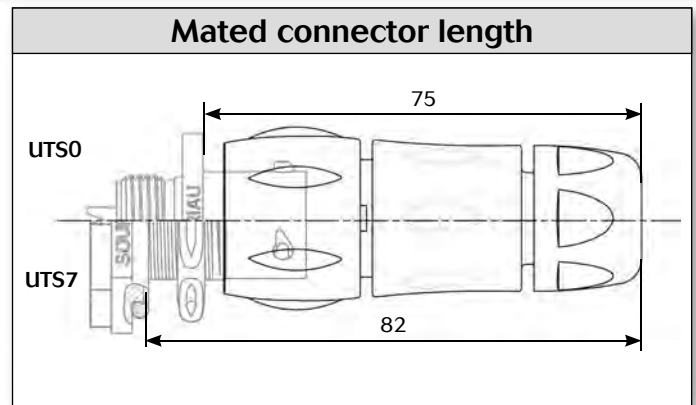
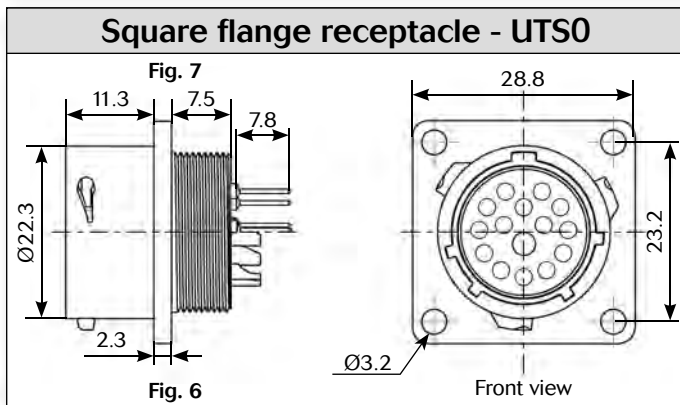
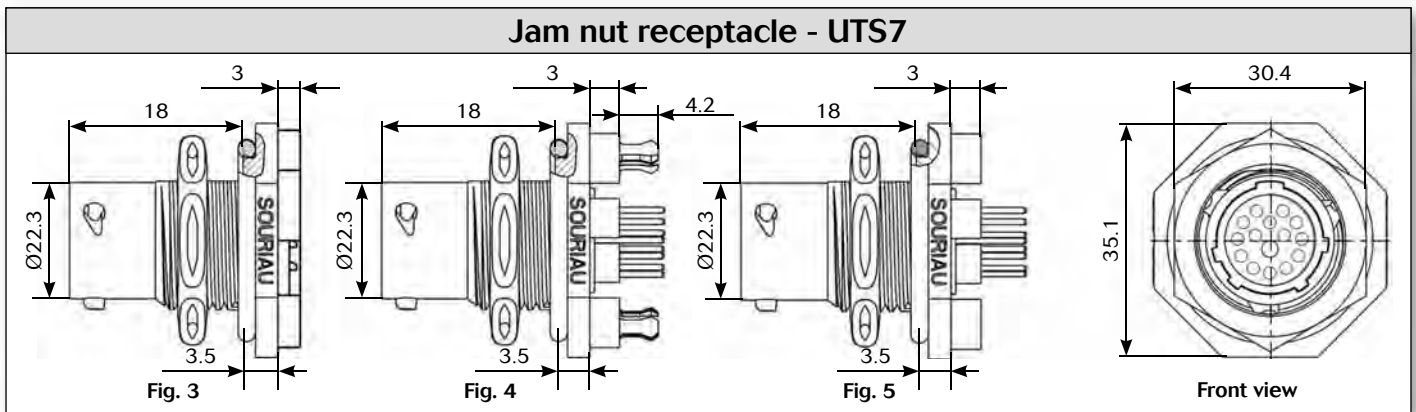
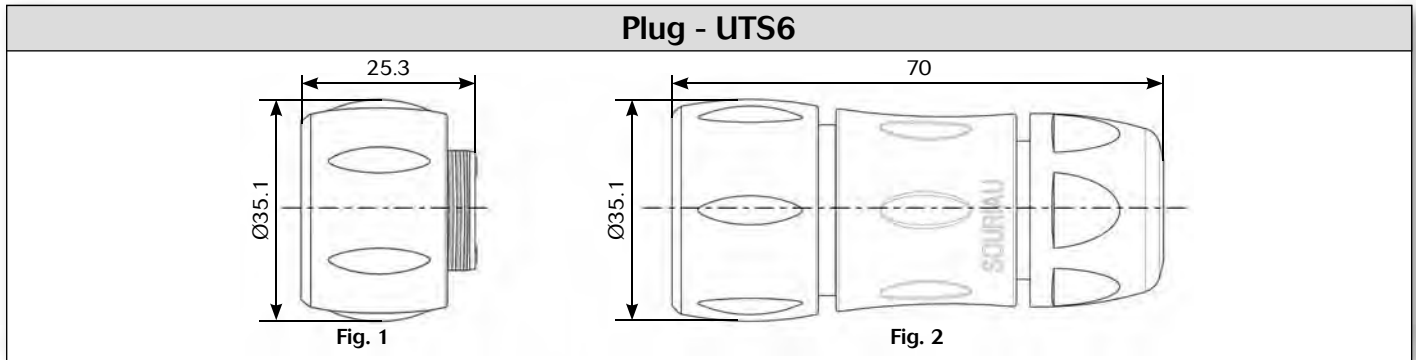
## Specifications

Contact type	Connector type	Backshell	Part number	
			Male insert	Female insert
Hand solder electrical contacts loaded	Square flange receptacle	Without (Fig.6)	UTS014E15P	UTS014E15S
	Plug	Without (Fig.1)	UTS614E15P	UTS614E15S
		Cable gland (Fig.2)	UTS6JC14E15P	UTS6JC14E15S
	Jam nut receptacle	Without (Fig.3)	UTS714E15P	UTS714E15S
PCB contacts loaded	Square flange receptacle	Without (Fig.7)	UTS014D15P	UTS014D15S
	Jam nut receptacle with stand off and with hold down clips	Without (Fig.4)	UTS714D15P32	UTS714D15S32
	Jam nut receptacle with stand off and without hold down clip	Without (Fig.5)	UTS714D15P	UTS714D15S

Sealed unmatred



### Dimensions





### Accessories

#### Jam nut sealing caps

Part number	Part number
UTS14DCG	UTS14DCGR

#### Plug sealing cap

Part number
UTS614DCG

#### Square flange sealing cap

Part number
UTS14DCGE

#### Plastic protective cap

Part numbers	
Receptacle cap	Plug cap
85005588A	85005597

#### Gasket

Part numbers / neoprene
UTFD14B

#### Color coding rings

Part numbers	
Receptacles	Plugs
UTS714CCR	UTS614CCR
UTS714CCRY	UTS614CCRY
UTS714CCRG	UTS614CCRG

\* Add G for Green, Y for Yellow, R for Red

#### Electrical characteristics

**UL**  
12A 650V UL94 HB

**CSA**  
12A 650V UL94 HB

**IEC**  
4A 50V 1.5kV 3

