

DECOSTAR 51 TITAN 20 W 12 V 60° GU5.3

DECOSTAR 51 TITAN | Halogen longlife dichroic reflector lamps 51 mm and glass panel



Areas of application

- General illumination
- Shops
- Restaurants, hotels and similar prestigious applications
- Offices, public buildings

Product benefits

- Brilliant accent light
- Constant bluish appearance of the light escaping at the back of the reflector
- Dichroic reflector reduces the heat in the light beam by up to 66 %
- Constant luminous intensity and constant color location throughout
- Flat clear shield
- Approved for use in open luminaires (to IEC 60598-1)
- UV filter
- Contains no mercury

Product features

- Average life: 4,000 h
- Dimmable
- Color rendering index R_a : 100
- Color temperature: 3,000 K

Technical data

Electrical data

| | |
|------------------------|--------------|
| Nominal wattage | 20.00 W |
| Nominal voltage | 12 V |
| Rated wattage | 20.00 W |
| Power factor λ | 1.00 |
| Energy consumption | 22 kWh/1000h |

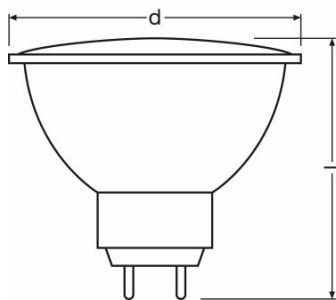
Photometrical data

| | |
|---|------------|
| Nominal useful luminous flux 90° | 250 lm |
| Luminous intensity | 350 cd |
| Color temperature | 3000 K |
| Light color as per EN 12464-1 | Warm White |
| Color rendering index Ra | 100 |
| Lumen main.fact.at end of nom.life time | 0.75 |
| Rated useful luminous flux 90° | 250 lm |

Light technical data

| | |
|---------------------|--------|
| Beam angle | 60 ° |
| Starting time | 0.0 s |
| Warm-up time (60 %) | 0.00 s |

Dimensions & weight



Product line drawing

| | |
|----------|---------|
| Diameter | 51.0 mm |
| Length | 46.0 mm |

Product datasheet

| | |
|------------------|---------|
| Overall length | 46.0 mm |
| Outer bulb | MR51 |
| Maximum diameter | 51.0 mm |

Colors & materials

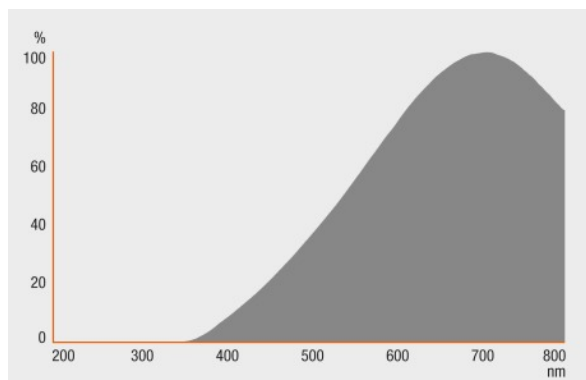
| | |
|----------------------|--------|
| Lamp mercury content | 0.0 mg |
| Mercury-free | Yes |

Lifespan

| | |
|----------------------------|----------------------|
| Nominal lamp life time | 4000 h |
| Rated lamp life time | 4000 h |
| Number of switching cycles | 100000 ¹⁾ |

¹⁾ At 1 min on / 3 min off

Additional product data



Spectral power distribution

| | |
|-----------------------------|-------|
| Base (standard designation) | GU5.3 |
|-----------------------------|-------|

Capabilities

| | |
|------------------|-----|
| Burning position | Any |
| Dimmable | Yes |

Product datasheet

Certificates & standards

| | |
|-------------------------|---|
| Energy efficiency class | B |
|-------------------------|---|

Country specific categorizations

| | |
|-----------------|----------------------------|
| ILCOS | HRGS//UB-20-12-GU5.3-51/60 |
| Order reference | 46860 VWFL 20W |

Country specific information

| Product code | METEL code | SEG number | STK number | UK Org |
|---------------|---------------|------------|------------|--------|
| 4050300428673 | OSRH46860VWFL | 8326946 | 4739634 | - |

Product datasheet

Logistical Data

| Product code | Product description | Packaging unit (Pieces/Unit) | Dimensions (height x width x length) | Volume | Gross weight |
|---------------|--|------------------------------|--------------------------------------|----------------------|--------------|
| 4050300428673 | DECOSTAR 51 TITAN 20 W 12 V 60° GU5.3 | Folding carton box 1 | 46 mm x 46 mm x 58 mm | 0.12 dm ³ | 38.00 g |
| 4050300531816 | DECOSTAR 51 TITAN 20 W 12 V 60° GU5.3 | Shipping carton box 20 | 106 mm x 122 mm x 238 mm | 3.08 dm ³ | 836.00 g |

The mentioned product code describes the smallest quantity unit which can be ordered. One shipping unit can contain one or more single products. When placing an order, for the quantity please enter single or multiples of a shipping unit.

References / Links

For light distribution curves see

▶ www.osram.com

Disclaimer

Subject to change without notice. Errors and omission excepted. Always make sure to use the most recent release.