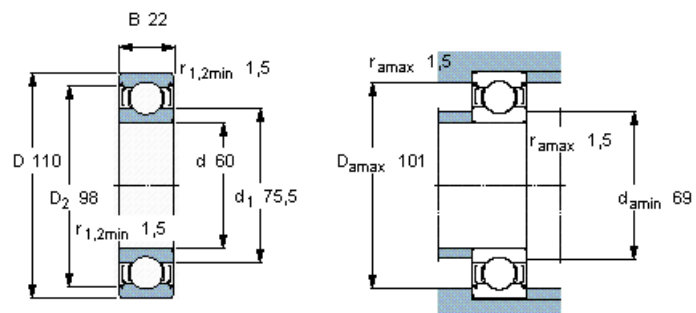


## Deep groove ball bearings, single row

Principal dimensions			Basic load ratings		Fatigue load limit $P_u$	Speed ratings		Mass	Designation
d	D	B	dynamic	static		Reference speed	Limiting speed		
mm			kN	$C_0$	kN	r/min		kg	-
60	110	22	55,3	36	1,53	13000	6300	0,78	6212-2Z *



### Calculation factors

$k_r = 0,025$

$f_0 = 14$