

## TEKNET



- ABS enclosure with new soft-touch contoured shape. By utilising multi-shot moulding technique, Teknet features an ergonomic design of elastomer grips (TPU) on the side of the case. Matt surface finish. Closing by four screws.

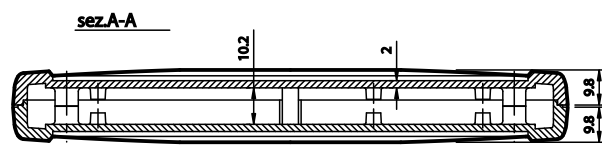
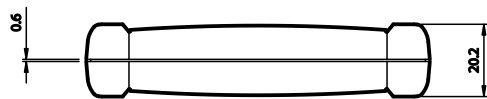
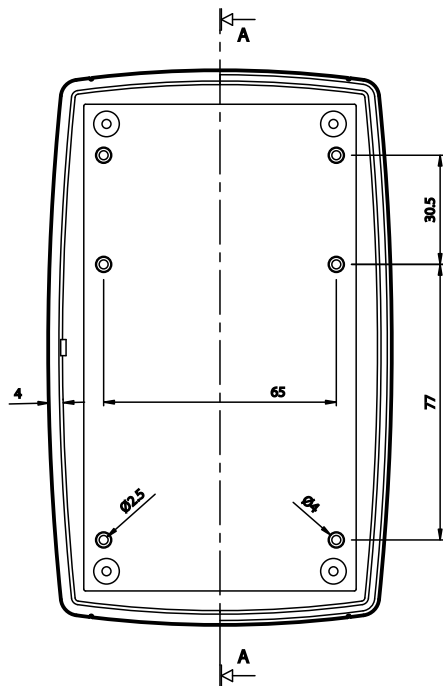
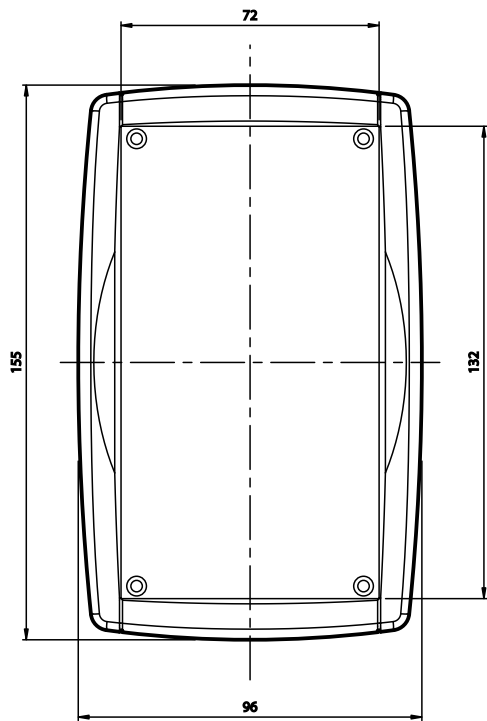
## ACCESSORIES

Aluminium panel "APT.B.1".

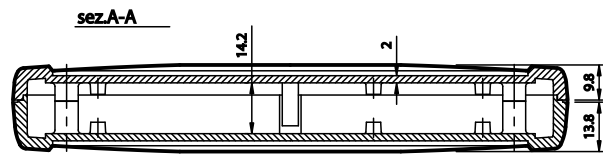
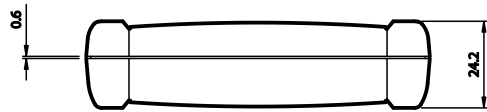
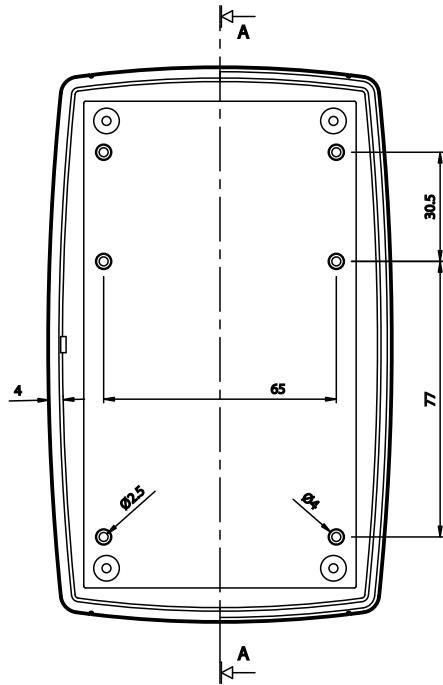
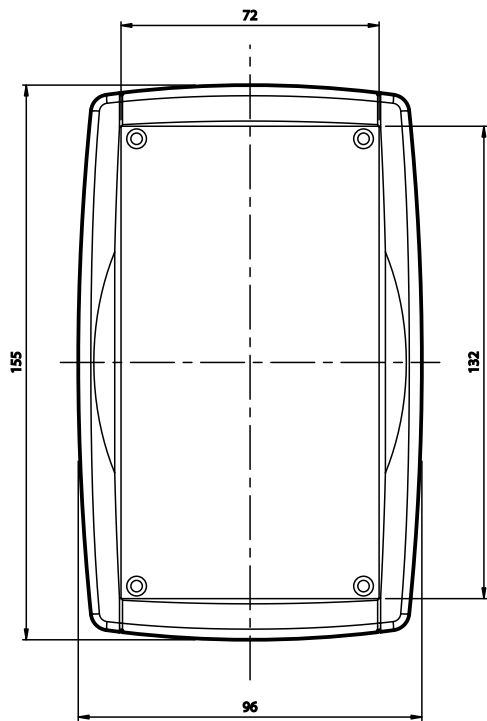
## COLOURS

.29 (Black / Dark gray), .30 (White / Light gray)

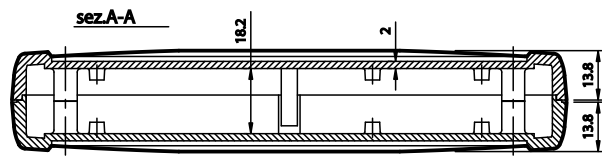
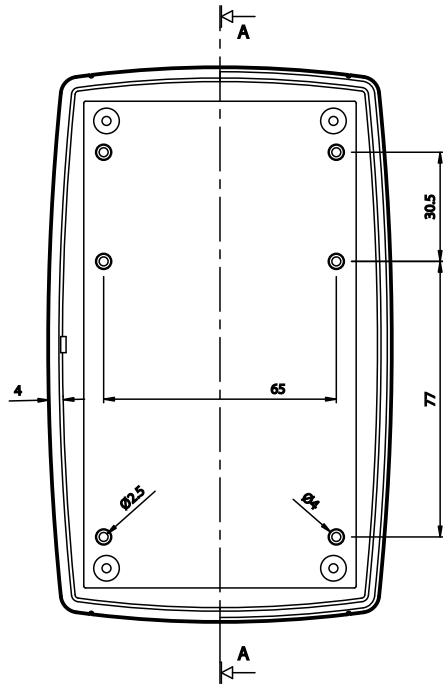
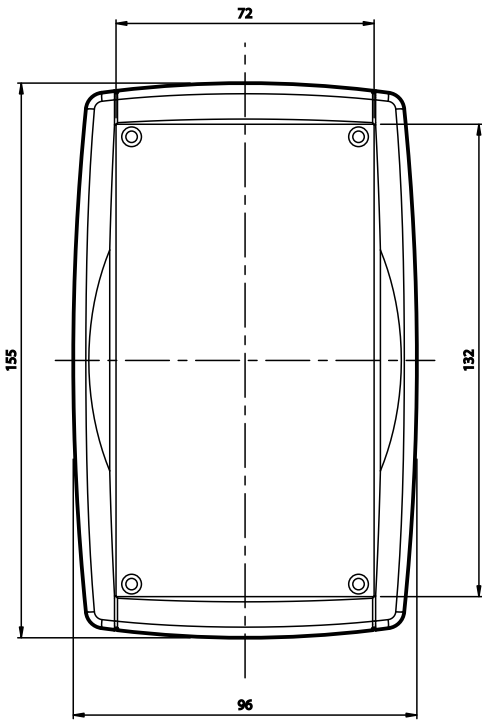
MODEL		DIMENSIONS mm.		
		L	W	H
	TN11.29	155.0	96.0	20.2
	TN11.30	155.0	96.0	20.2
	TN12.29	155.0	96.0	24.2
	TN12.30	155.0	96.0	24.2
	TN22.29	155.0	96.0	28.2
	TN22.30	155.0	96.0	28.2



TN 11



TN 12



TN 22