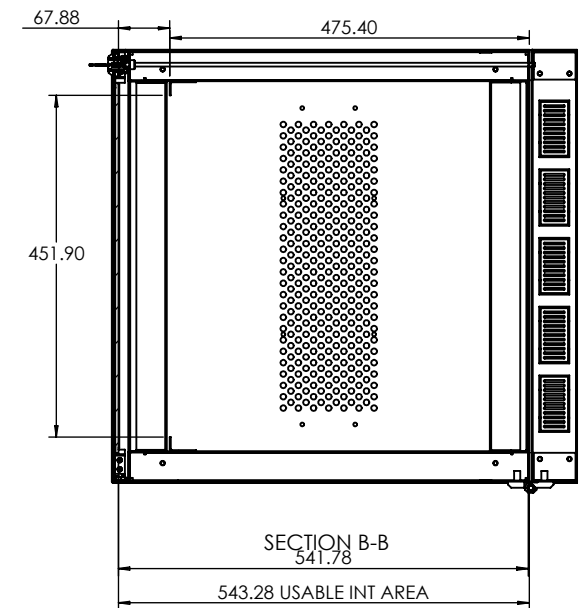
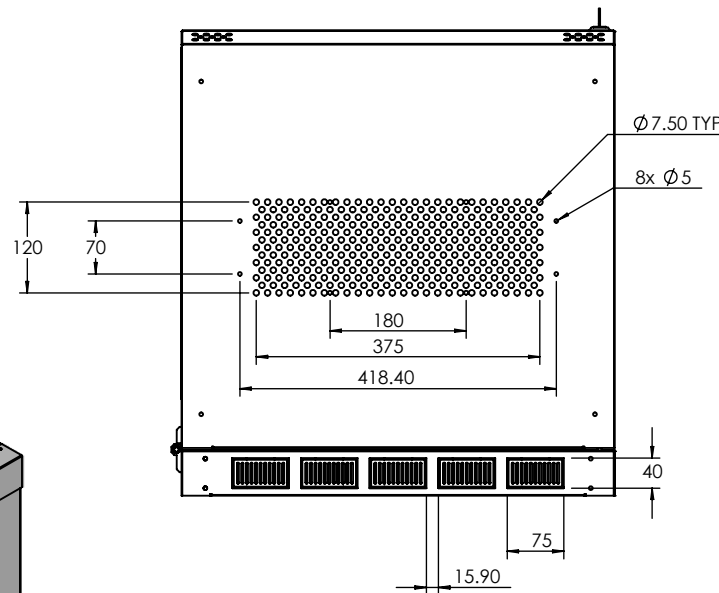
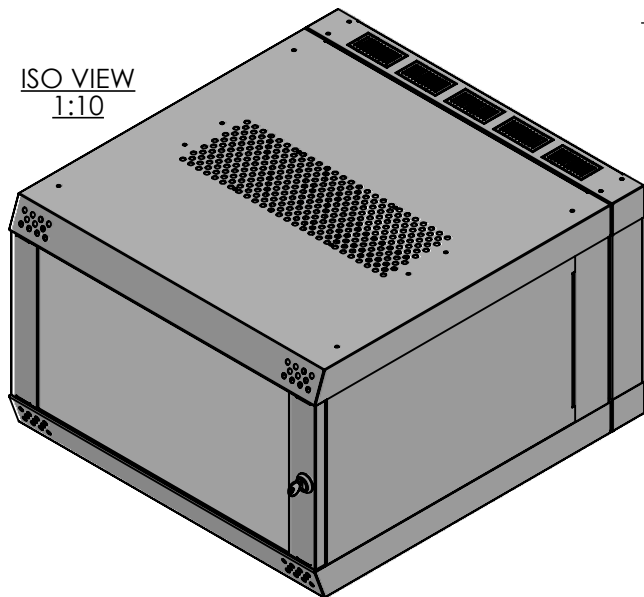


SECTION A-A

ISO VIEW
1:10



SECTION B-B
541.78

JAMES CARTER RD, MILDENHALL, SUFFOLK. IP28 7DE TEL: 01638 716101 FAX: 01638 716554 EMAIL: Sales@CamdenBoss.com WEB: www.CamdenBoss.com				UNLESS OTHERWISE SPECIFIED: DIMENSIONS ARE IN MILLIMETERS		DO NOT SCALE DRAWING		REVISION. ○	
				GENERAL TOLERANCES +/- 0.2		TITLE: DRAWING FOR 6U WX WALLMOUNTED HINGED RACK			
FINISH. POWDER COATED ANTHRACITE		MATERIAL. MILD STEEL		DWG NO. CWX065002		A4			
DRAWN	IAN PAGANO	SIGNED	I.P.	DATE	16/01/14	SCALE. 1:10		SHEET 1 OF 1	
CHKD	-	-	-	-	-	PROJECTION.			