

## DETAILS

<b>Product Number</b>	CA13753_STRADA-SQ-FW
<b>Family</b>	Strada-Forward
<b>Type</b>	Lens
<b>Color</b>	clear
<b>Diameter</b>	25 + 25 mm
<b>Height</b>	14,4 mm
<b>Style</b>	square
<b>Optic Material</b>	PMMA
<b>Holder Material</b>	
<b>Fastening</b>	screw, pin, tape
<b>Status</b>	ready
<b>ROHS Compliant</b>	Yes
<b>Date Updated</b>	22/09/2014

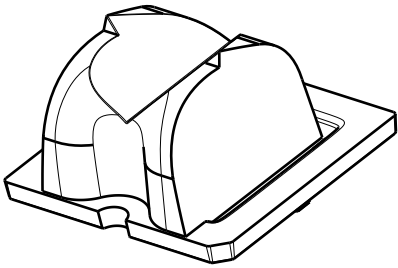


## OPTICAL PROPERTIES

LED	Viewing Angle	Light Beam	Efficiency	cd/lm	Connector
LUXEON M	Asymmetric deg	Asymmetric	89 %	0.615	-
LUXEON MZ	Asym deg	Asymmetric	90 %	0.730	-
XHP50	Asymmetric deg	Asymmetric	92 %	0.670	-
MK-R	Asymmetric deg	Asymmetric	sim: 89 %	sim: 0.000	-

D C B A

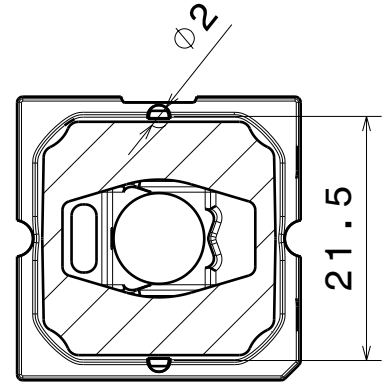
4



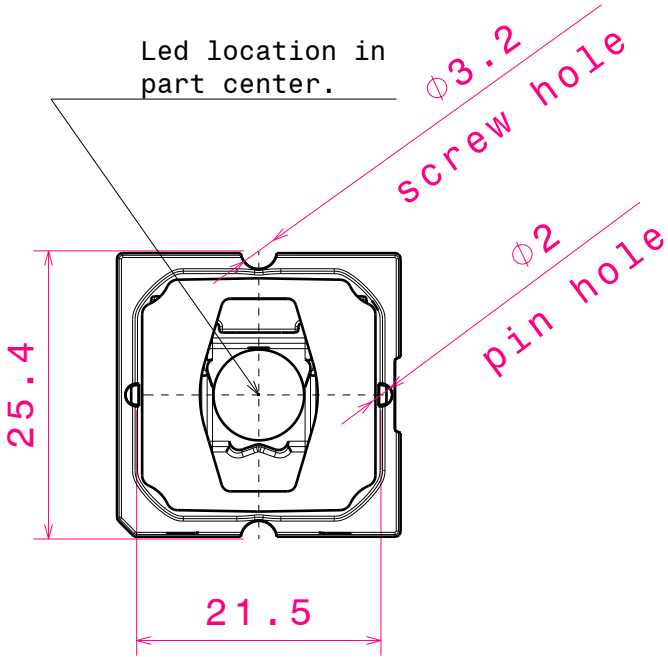
Isometric view

4

Bottom view

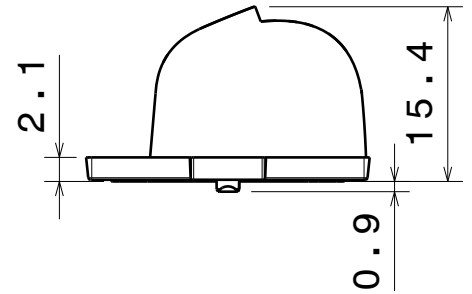


Led location in part center.



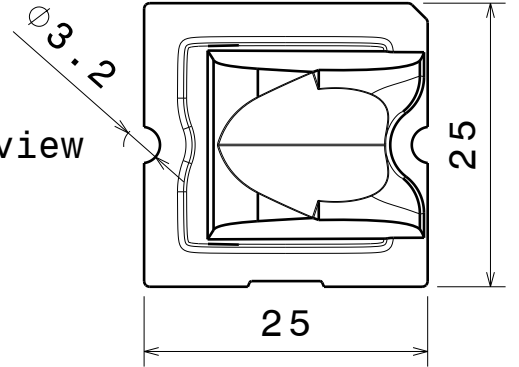
PCB suggestion

Front view



3

Top view



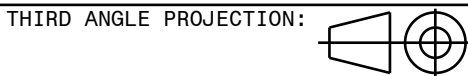
2

2

INDEX	PART NO	DESCRIPTION	MATERIAL	COLOUR
1	CA13753	STRADA-SQ-FW	PMMA / PU double sided tape	

Tolerances if not otherwise shown  
 According to DIN ISO 2768-1  
 Linear measures:  
 Up to 30mm class M, otherwise class C.  
 According to DIN ISO 2768-2  
 Form and position: class L

**LEDiL**  
 Ledil Oy  
 Salorankatu 10  
 FIN 24240 SALO  
 Finland



DRAWING TITLE  
**CA13753\_STRADA-SQ-FW**

This drawing is the property of LEDiL Oy. It may not be reproduced, copied or communicated without a written agreement with LEDiL Oy."

SIZE	PART NUMBER
<b>A4</b>	<b>CA13753</b>

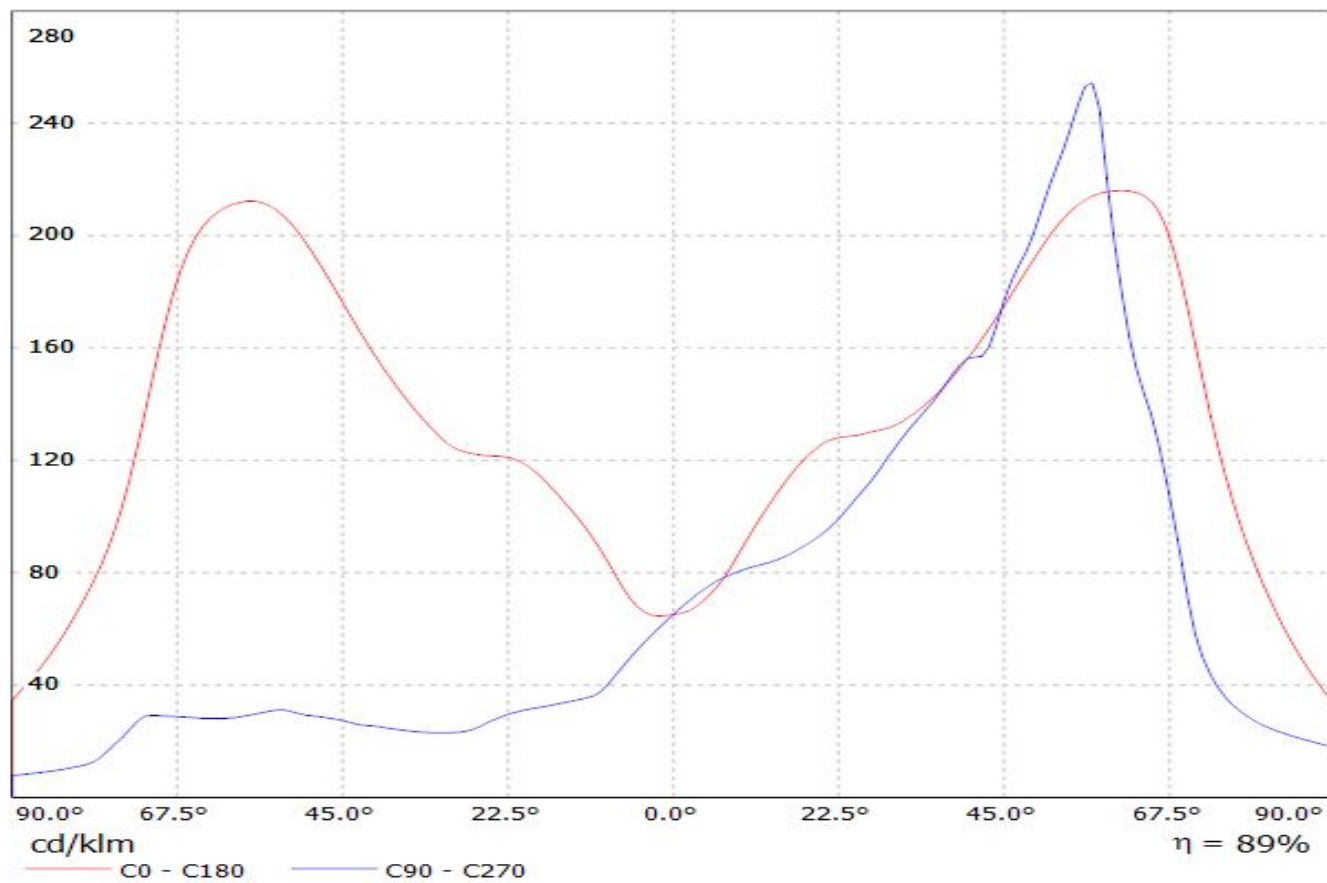
1

SCALE	1:1	WEIGHT	- g	SHEET	1/1
-------	-----	--------	-----	-------	-----

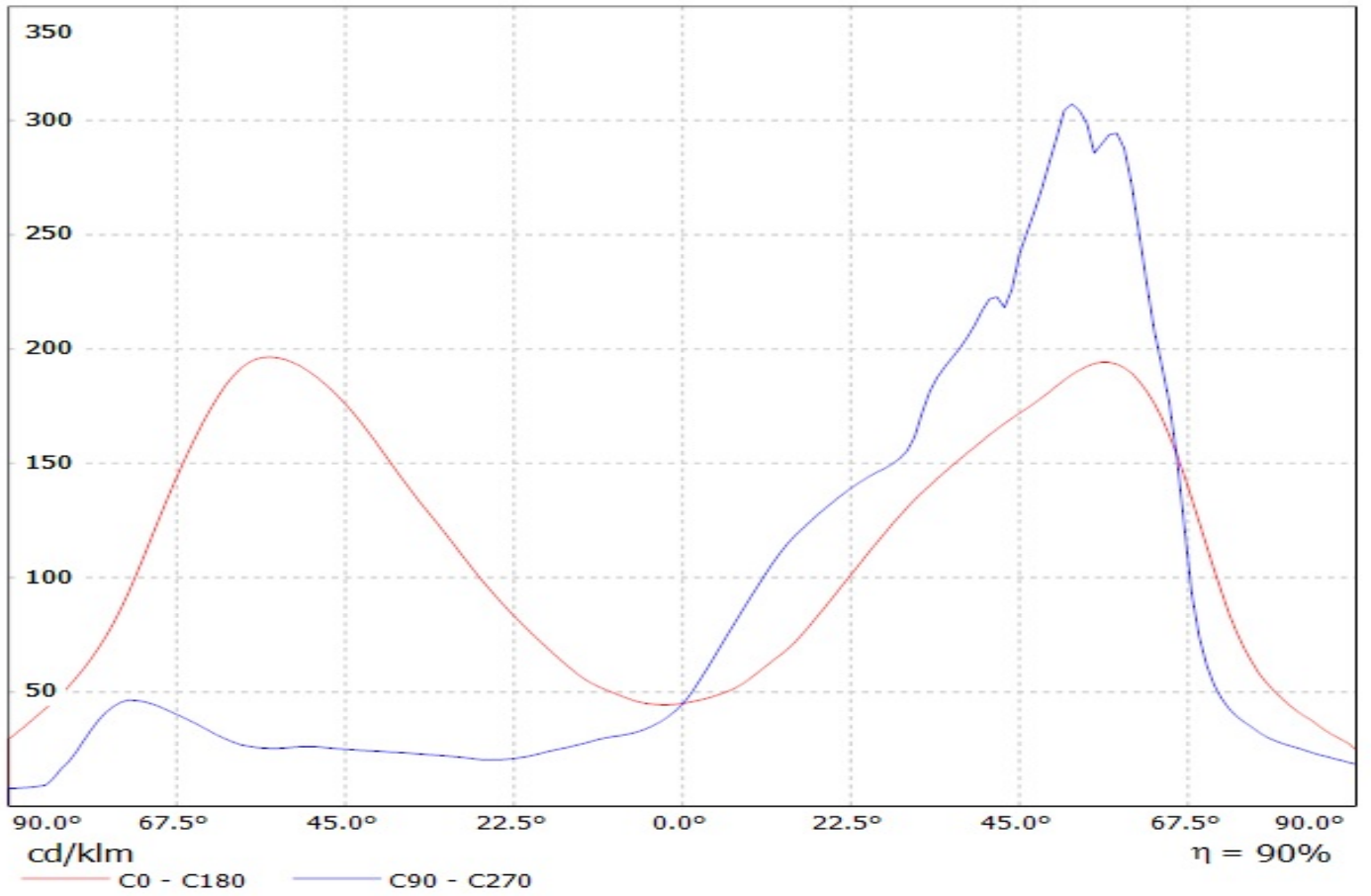
D

A

Luminaire: LEDiL Oy CA13753\_STRADA-FW\_(Luxeon\_M)  
Lamps: 1 x Luxeon\_M\_349.375lm@250mA\_CCT=4092K\_P=2.72866W\_I=249.9mA

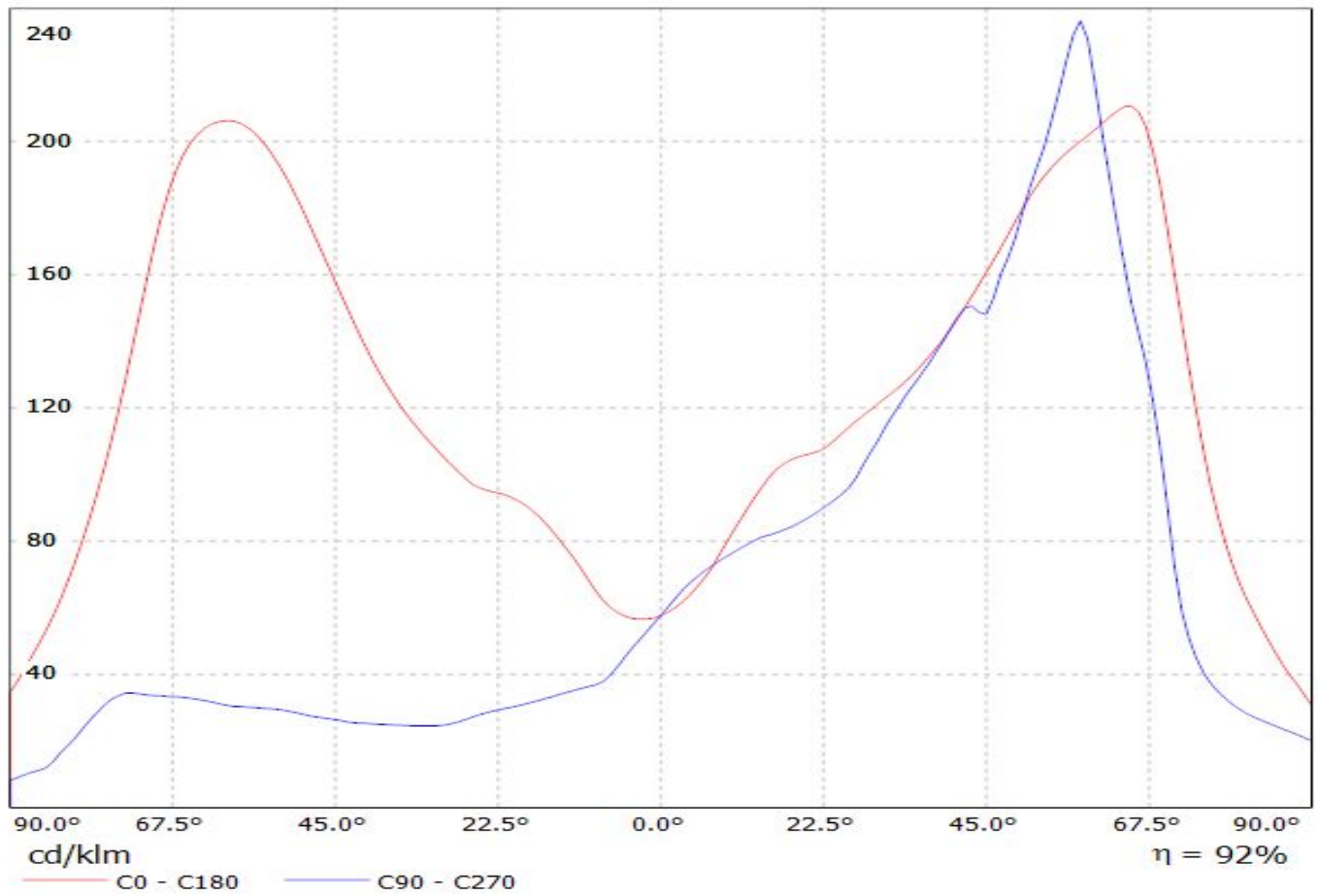


Luminaire: LEDiL Oy CA13753\_STRADA-SQ-FW\_(Luxeon\_MZ) Eff: 90%  
Lamps: 1 x LUXEON-MZ\_263.073lm@250mA\_P=2.7399W\_I=249.9mA



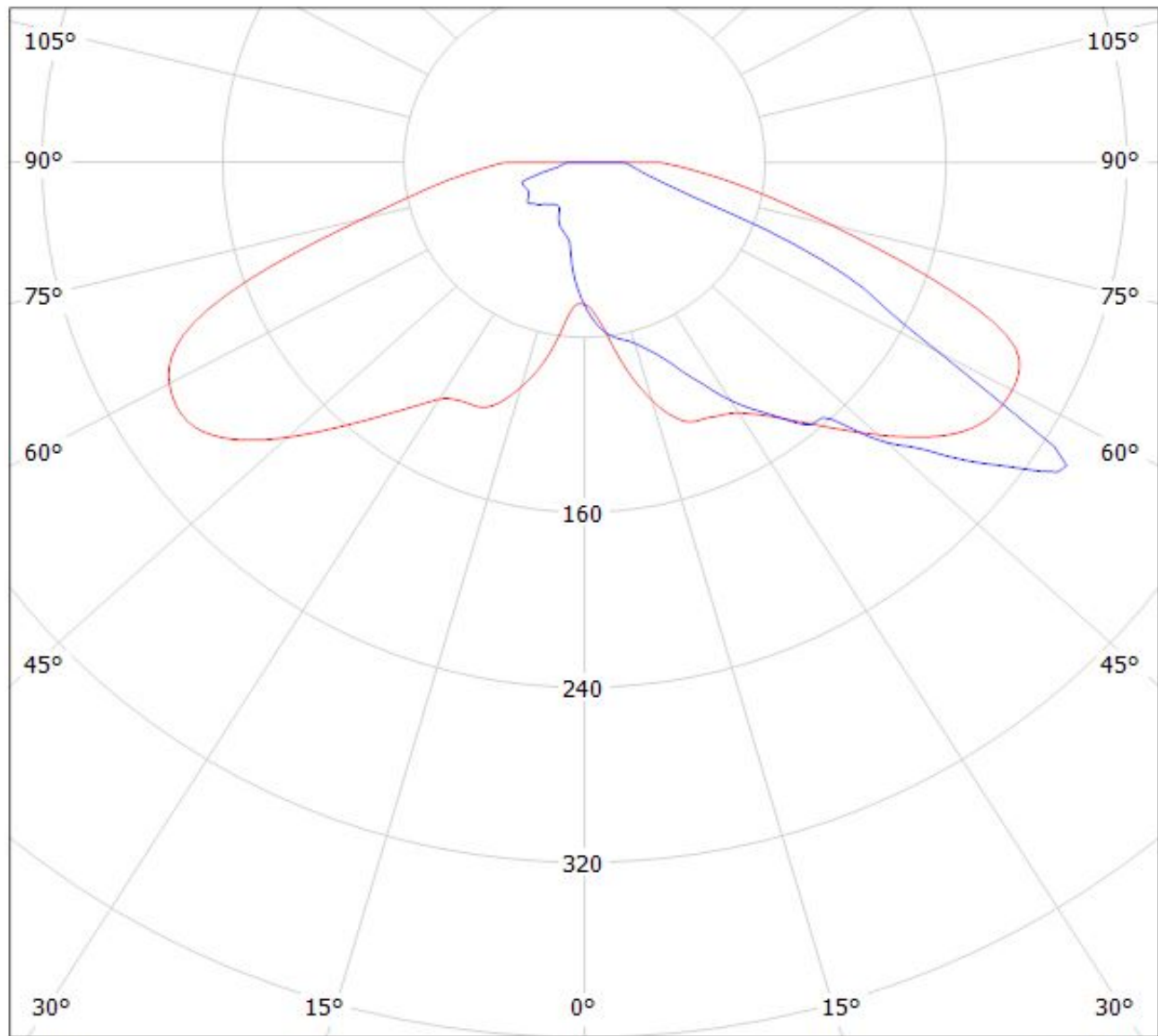
Luminaire: LEDiL Oy CA13753\_STRADA-SQ-FW\_(XHP50\_cool\_white)

Lamps: 1 x CREE\_XHP50\_cool\_white\_246.221lm@250mA\_P=1.42945W\_I=249.9mA



Luminaire: LEDiL Oy CA13753\_STRADA-FW\_(Luxeon\_M)

Lamps: 1 x Luxeon\_M\_349.375lm@250mA\_CCT=4092K\_P=2.72866W\_I=249.9mA



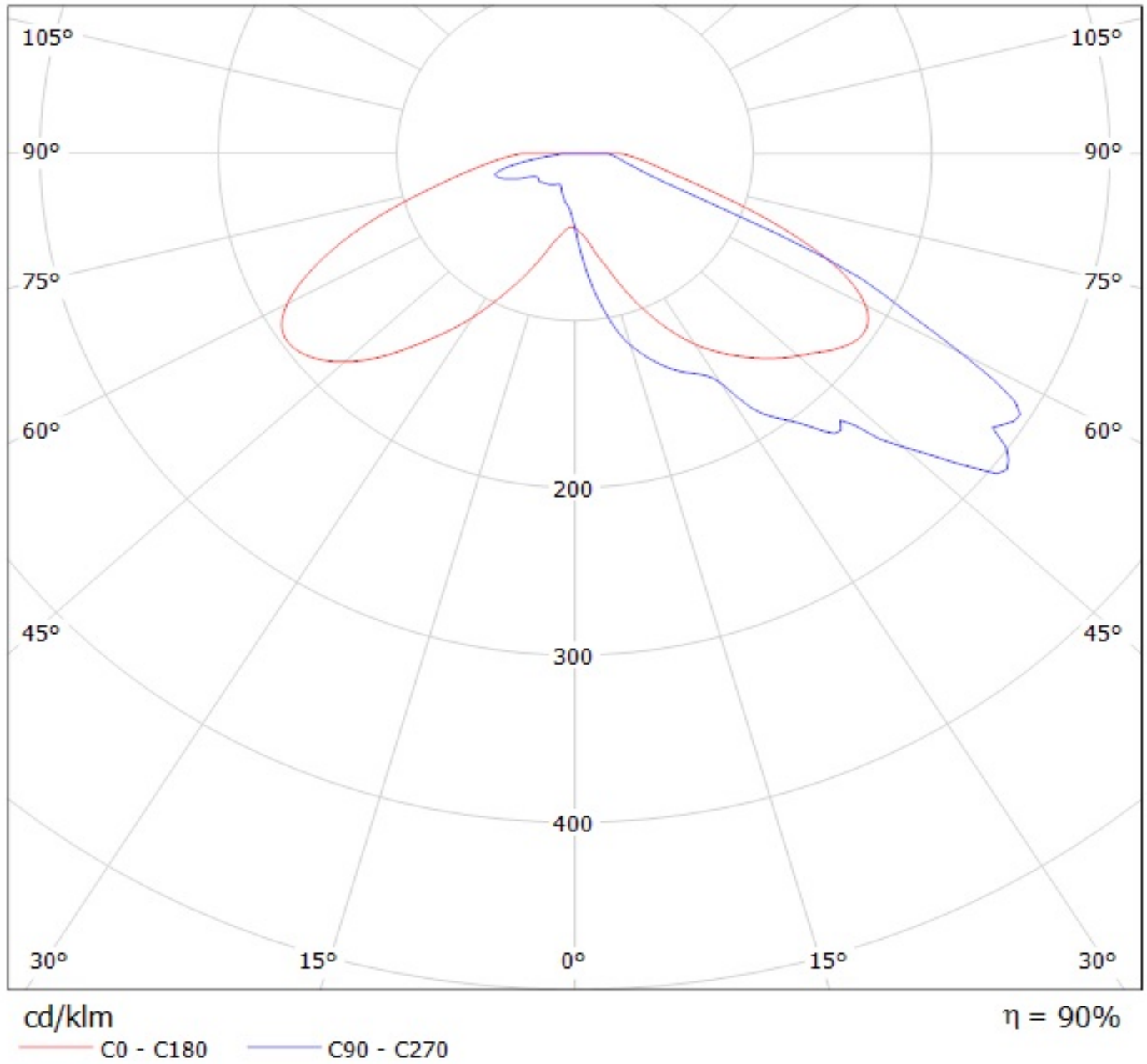
cd/klm

— C0 - C180

— C90 - C270

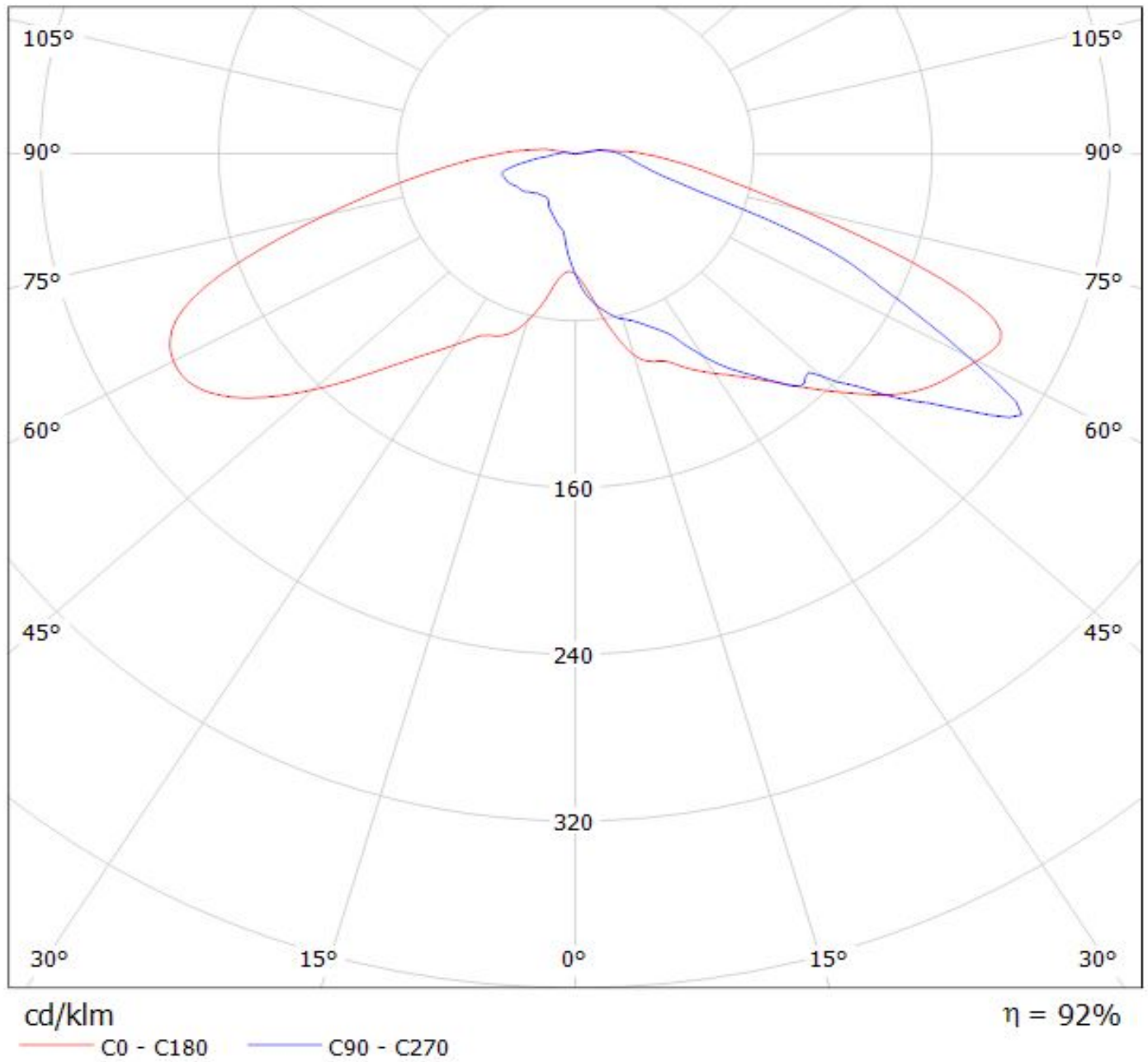
$\eta = 89\%$

Luminaire: LEDiL Oy CA13753\_STRADA-SQ-FW\_(Luxeon\_MZ) Eff: 90%  
Lamps: 1 x LUXEON-MZ\_263.073lm@250mA\_P=2.7399W\_I=249.9mA



Luminaire: LEDiL Oy CA13753\_STRADA-SQ-FW\_(XHP50\_cool\_white)

Lamps: 1 x CREE\_XHP50\_cool\_white\_246.221lm@250mA\_P=1.42945W\_I=249.9mA



**NOTE: The typical divergence will be changed by different color, chip size and chip position tolerance. The typical total divergence is the full angle measured where the luminous intensity is half of the peak value.**