

13 12 11 10 9 8 7 6 5 4 3 2 1

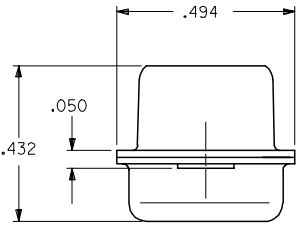
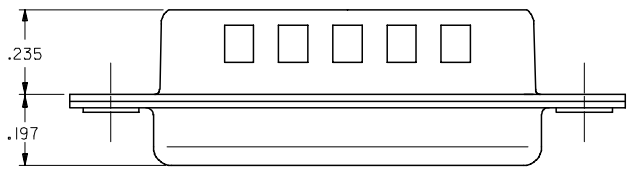
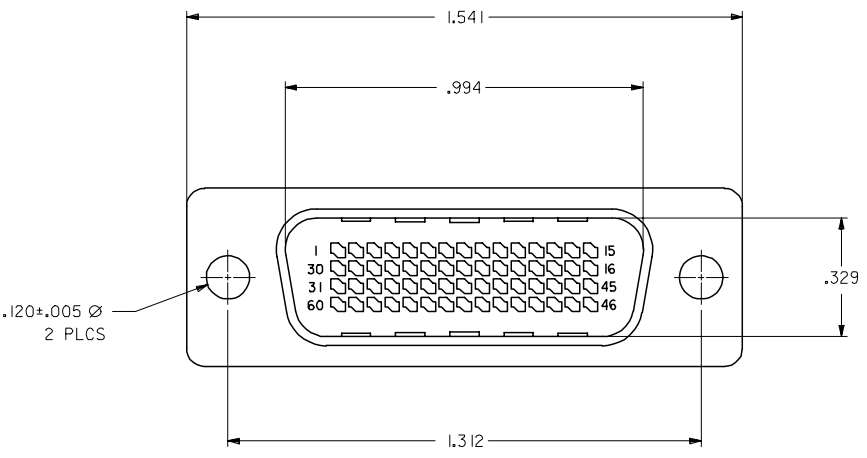
J
I
H
G
F
E
D
C
B
A

J
I
H
G
F
E
D
C
B
A

NOTES:

- 1) PLASTIC HOUSING:
GLASS FILLED LCP (LIQUID CRYSTAL POLYMER), UL 94 V-0, COLOR: BLACK.
- 2) FRONT SHELL:
DEEP DRAWN STEEL, .020" THICK;
PLATING: SEE TABLE
BRIGHT TIN: 150-250 MICRONS BRIGHT TIN OVER
50-150 MICRONS NICKEL OVER COPPER FLASH
OVERALL (OPTIONAL).
BRIGHT NICKEL: 100-175 MICRONS BRIGHT NICKEL OVER
50 MICRONS MAXIMUM COPPER OVERALL.
- 3) BACK SHELL:
DEEP DRAWN STEEL, .016" THICK;
PLATING: 150-250 MICRONS BRIGHT TIN OVER 50-150 MICRONS NICKEL
OVER COPPER FLASH OVERALL (OPTIONAL).
- 4) THIS CONNECTOR CONFORMS TO PRODUCT SPECIFICATION PS-70928.
- 5) PACKAGING SPECIFICATION PK-70873-0236 APPLIES.
- 6) SEE APPLICATION SPECIFICATION PS-70929 FOR ASSEMBLY AND TERMINATION DETAILS.
- 7) INSERT-MOLDED TERMINAL STRIP ASSEMBLIES ARE SUPPLIED SEPARATELY (SEE SHEET 2 FOR ORDERING INFORMATION).

NOTE FOR LEAD FREE CONVERSION:
THE PRIMARY SHIPPING CARTON WILL BE LABELED "COMPLIANT TO ROHS DIRECTIVE 2002/95/EC AND ELV ANNEX II OF DIRECTIVE 2000/53/EC". CARTONS WITHOUT THIS LABEL MAY CONTAIN PRODUCT WITH LEAD.

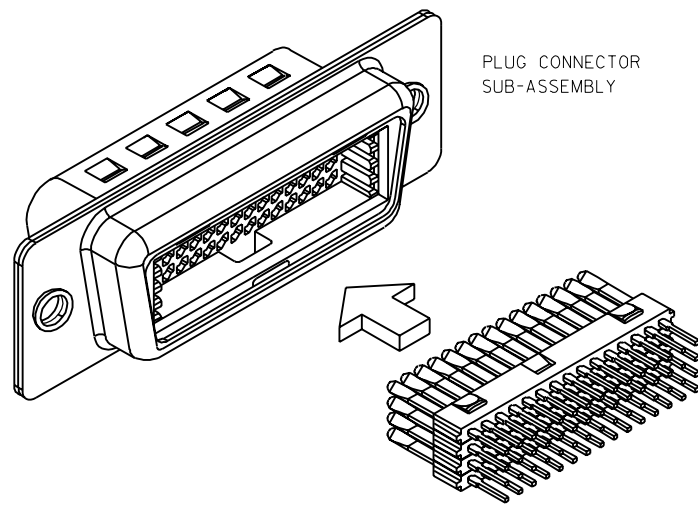


2	E
1	H
SHT	REV

ADD 70929-2009 EC NO: UCP2006-0666 DRAWN BY: BARRA 2006/02/06 CHKD: BORGAN 2006/02/07 APPR: MILLER 2006/02/09	QUALITY SYMBOLS ▽=0 ▽=0	GENERAL TOLERANCES (UNLESS SPECIFIED)		DIMENSION STYLE INCH ONLY		SCALE 4:1	DESIGN UNITS INCH	THIRD ANGLE PROJECTION			
		4 PLACES ± --- ± ---	3 PLACES ± --- ± ---	2 PLACES ± --- ± ---	1 PLACE ± --- ± ---	DRAWN BY MOS DATE 1993/05/11	CHECKED BY DATE	SALES ASSEMBLY LFH 60CKT I/O PLUG FOR CABLE ASSEMBLIES			
		ANGULAR ±1/2°				APPROVED BY BICKLER DATE 1993/05/11	MATERIAL NO.				
		DRAFT WHERE APPLICABLE MUST REMAIN WITHIN DIMENSIONS				SIZE C	SEE TABLE	DOCUMENT NO. SDA-70929-20**	SHEET NO. 1 OF 2		

PART NO.	PRODUCT DESCRIPTION	FRONT SHELL PLATING
70929-2000	60 CKT. I/O PLUG CONNECTOR SUB-ASSEMBLY	BRIGHT TIN
70929-2009	60 CKT. I/O PLUG CONNECTOR SUB-ASSEMBLY	BRIGHT NICKEL

12 11 10 9 8 7 6 5 4 3 2 1



PLUG CONNECTOR
SUB-ASSEMBLY

INSERT MOLDED TERMINAL STICKS
SUPPLIED SEPARATELY
SEE SALES DRAWING: SDA-70984-100*
NOTE: STICKS SHOWN WITH CARRIER REMOVED

70929

E SEE SHEET 1

DIMENSIONS SHOWN (METRIC) INCH		▽ = 0		▼ = 0		REVISE ONLY ON CAD SYSTEM	
UNLESS OTHERWISE SPECIFIED TOLERANCES ANGULAR ± 1/2°							
3 PLACE ±		INCH		METRIC		---	
2 PLACE ±		---		±		---	
1 PLACE ---		±		---		---	
DRAFT WHERE APPLICABLE MUST REMAIN WITHIN DIMENSIONS							
DRAWN BY: MOS		CHK'D BY: OSULLIVAN		PART NO. SDA-70929-20		DRWG. NO. SEE SHEET 1	
APP'D BY: BIXLER		SCALE: 4: 1		FILE NAME: S7092921		DATE: 05/11/93	
				MOLEX INCORPORATED		SHEET NO. 2	
				L15LE.ILL. 60532		U.S.A.	
THIS DRAWING CONTAINS INFORMATION THAT IS PROPRIETARY TO MOLEX INC. AND SHOULD NOT BE USED WITHOUT WRITTEN PERMISSION.							