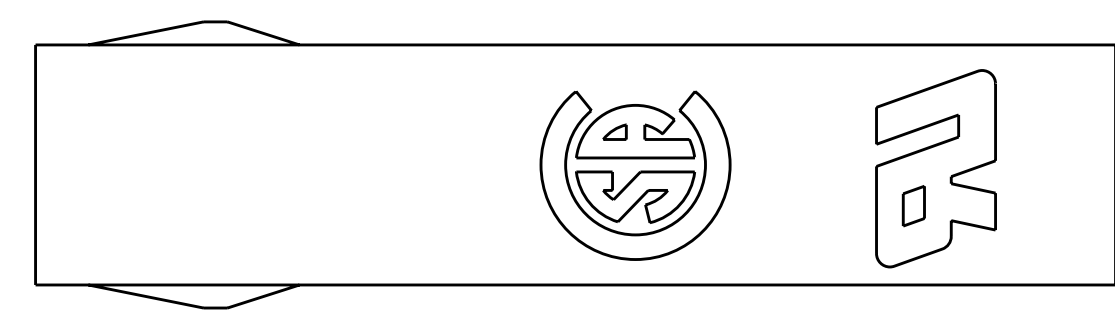
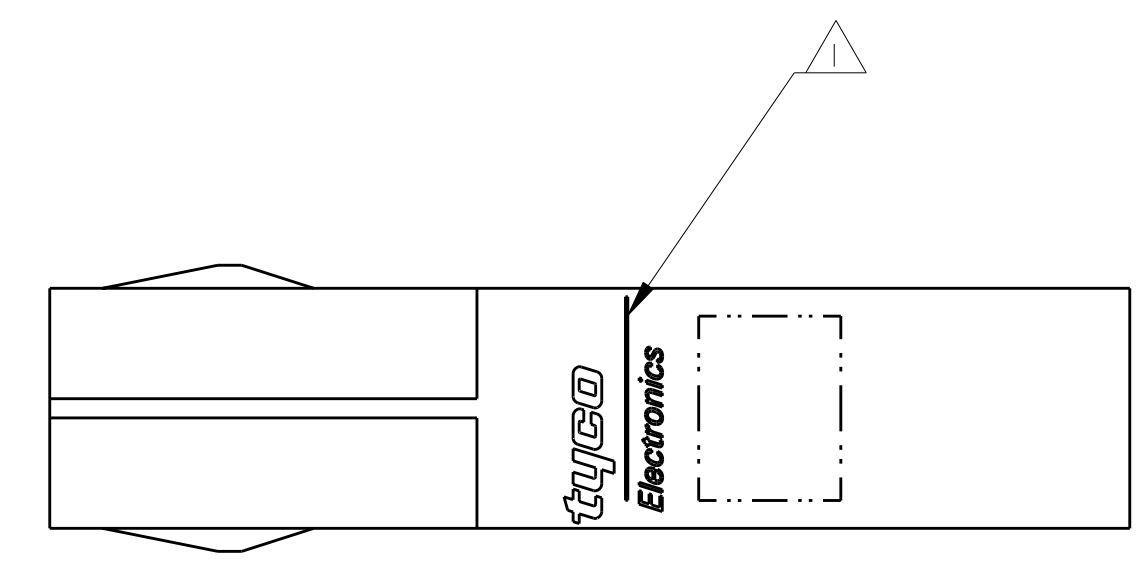
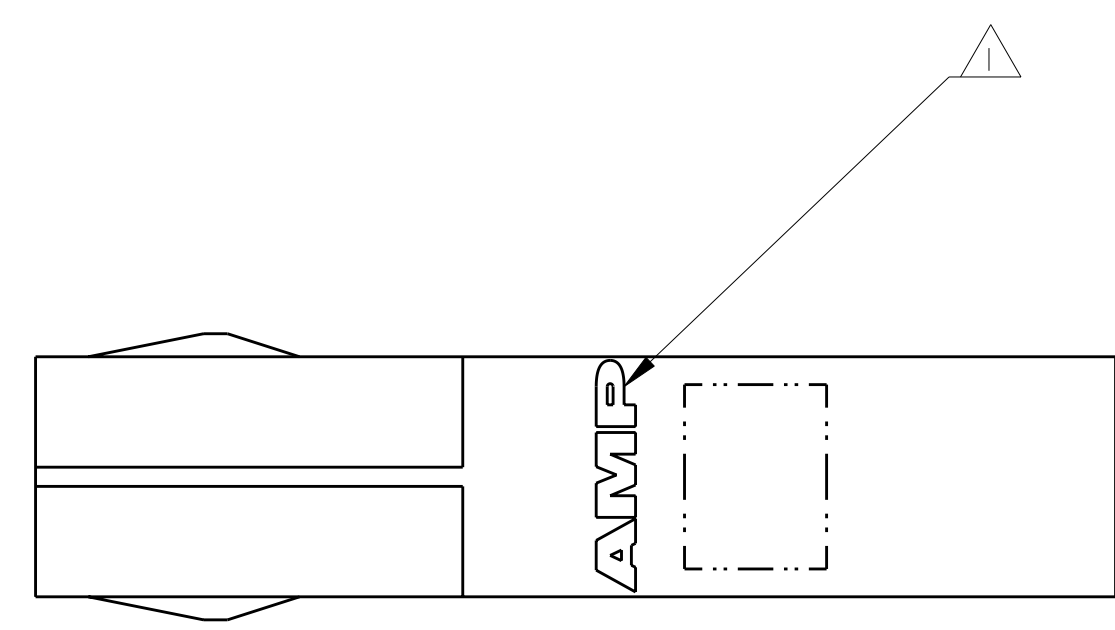
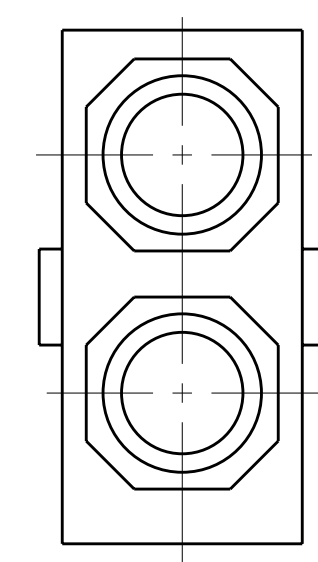
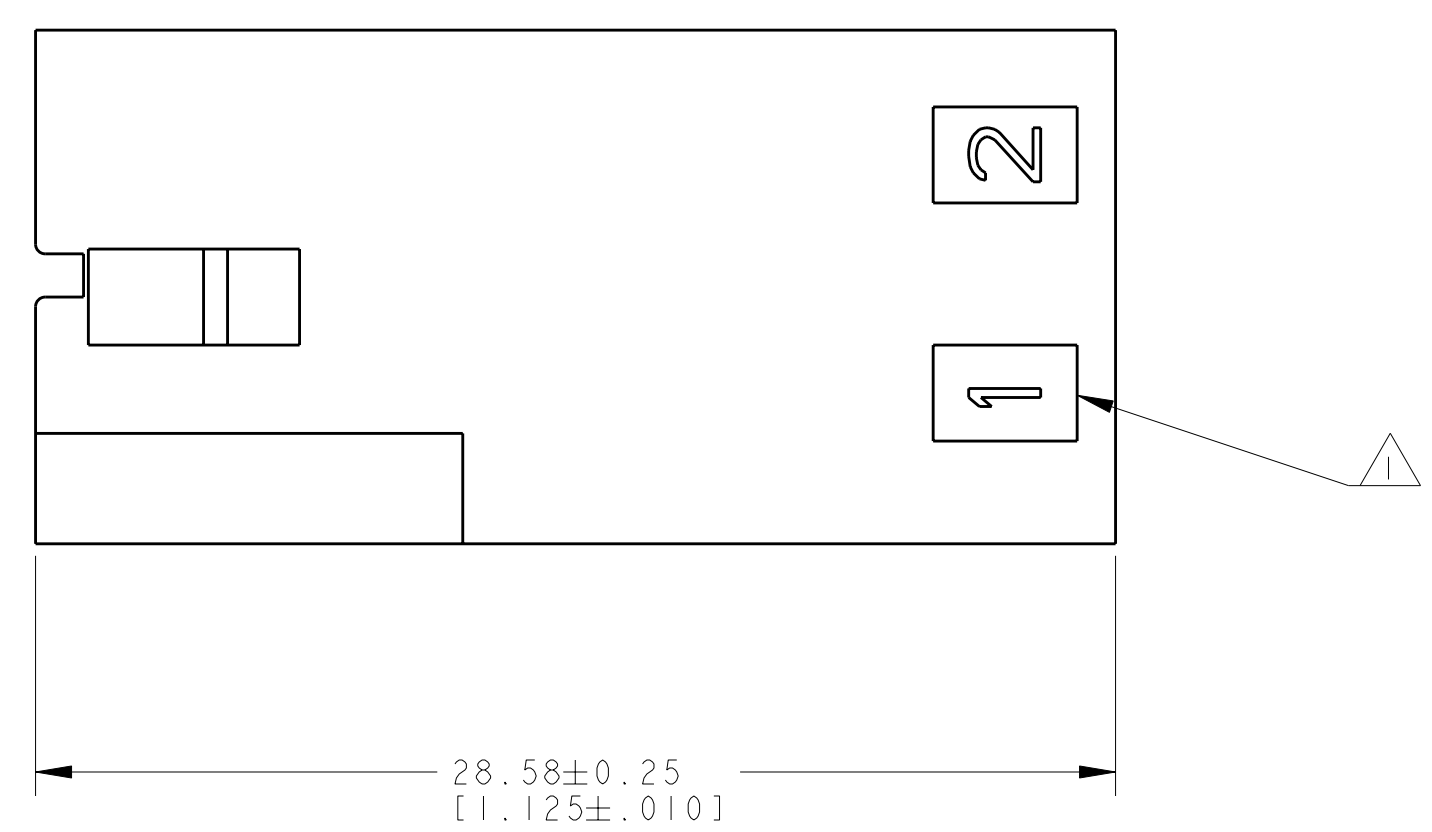
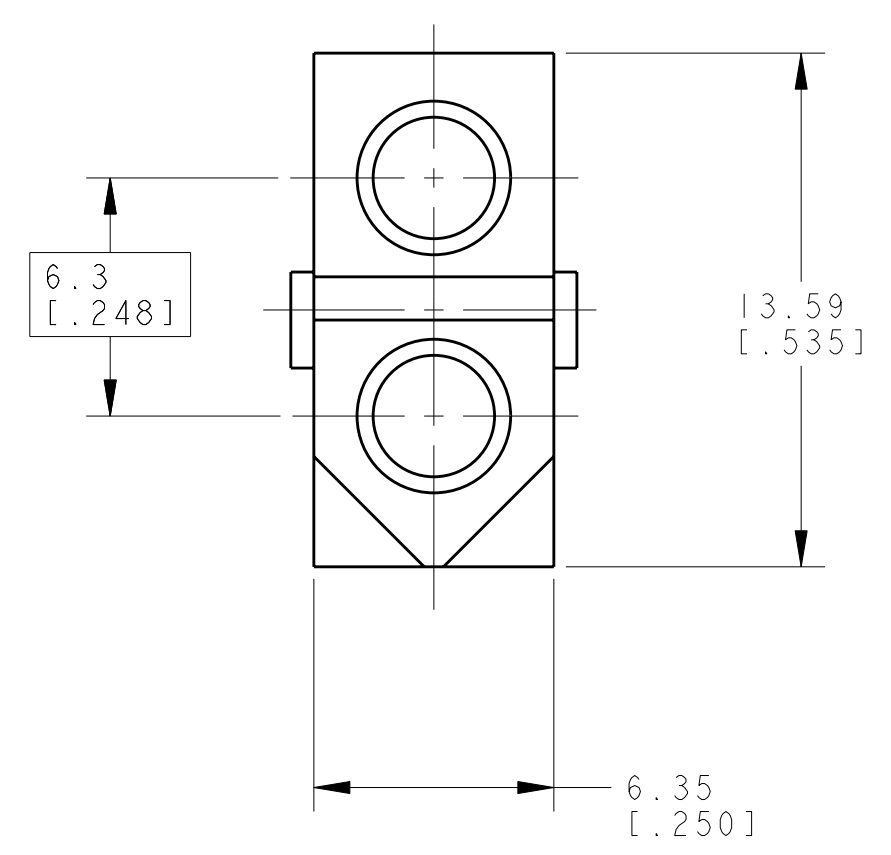


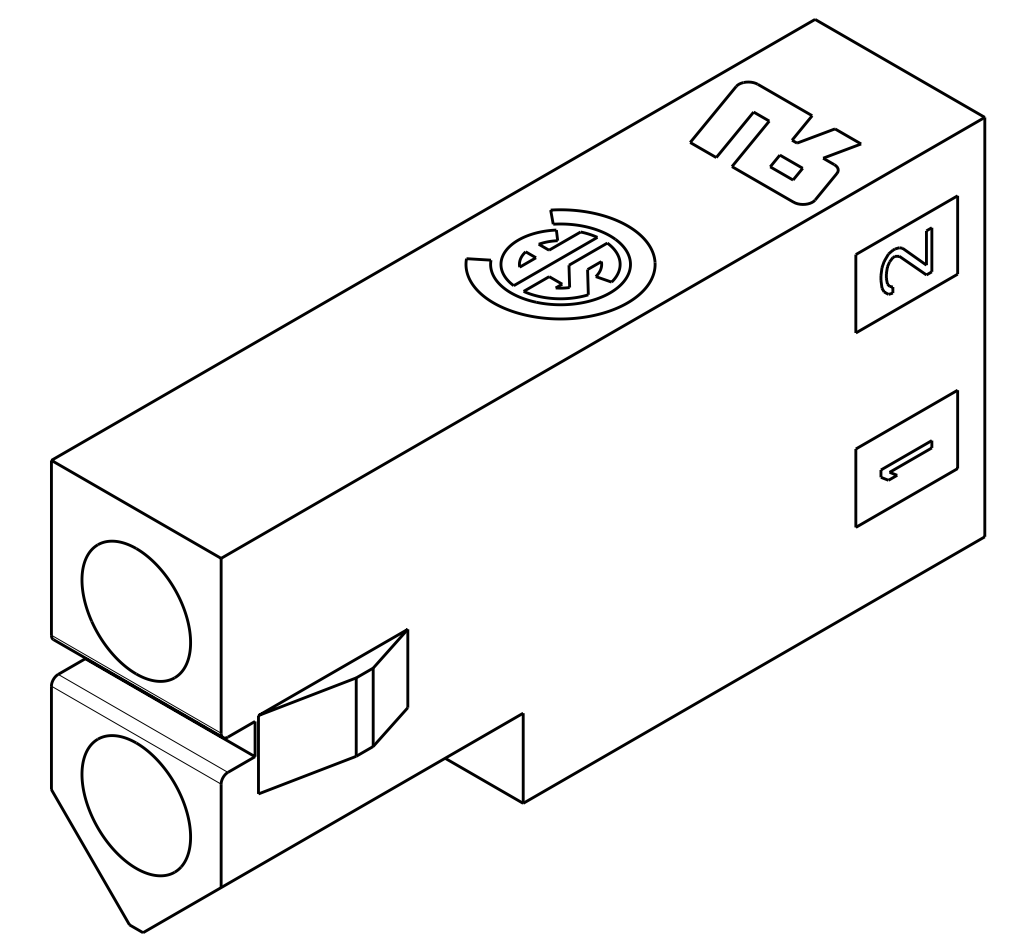
LOC	DIST	REVISIONS			
CM	00	REV	DATE	BY	APPD
		L1	REVISD PER ECO-11-004917	12APR2011	RK HMR



△ AMP OR TYCO ELECTRONICS LOGO AND CIRCUIT NUMBERS LOCATED APPROXIMATELY AS SHOWN.



OPTIONAL CONSTRUCTION



770065-1
PART NUMBER

METRIC

THIS DRAWING IS A CONTROLLED DOCUMENT.		DWN R. WHITAKER 08DEC2004	NAME STE TE Connectivity
DIMENSIONS: mm [INCHES]		CHK D. COLEY 08DEC2004	
TOLERANCES UNLESS OTHERWISE SPECIFIED:		APVD D. COLEY 08DEC2004	PRODUCT SPEC
0 PLC	±		APPLICATION SPEC
1 PLC	±0.13 (1.005)		SIZE CAGE CODE DRAWING NO
2 PLC	±		RESTRICTED TO
3 PLC	±		A100779C=770065
4 PLC	±		WEIGHT
ANGLES	±		CUSTOMER DRAWING
FINISH	±0°30'		SCALE 5:1 SHEET 1 OF 1 REV L1
MATERIAL NYLON UL 94V-2, NATURAL			