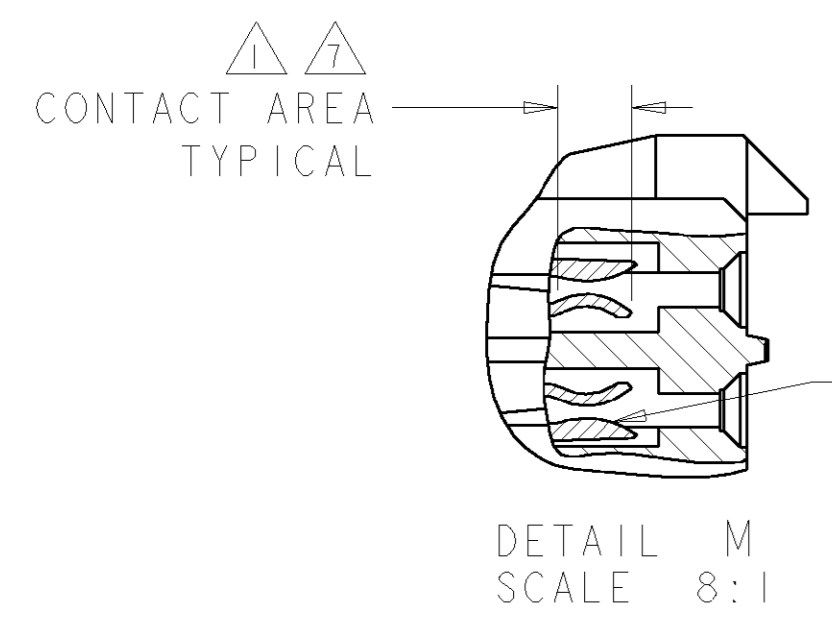


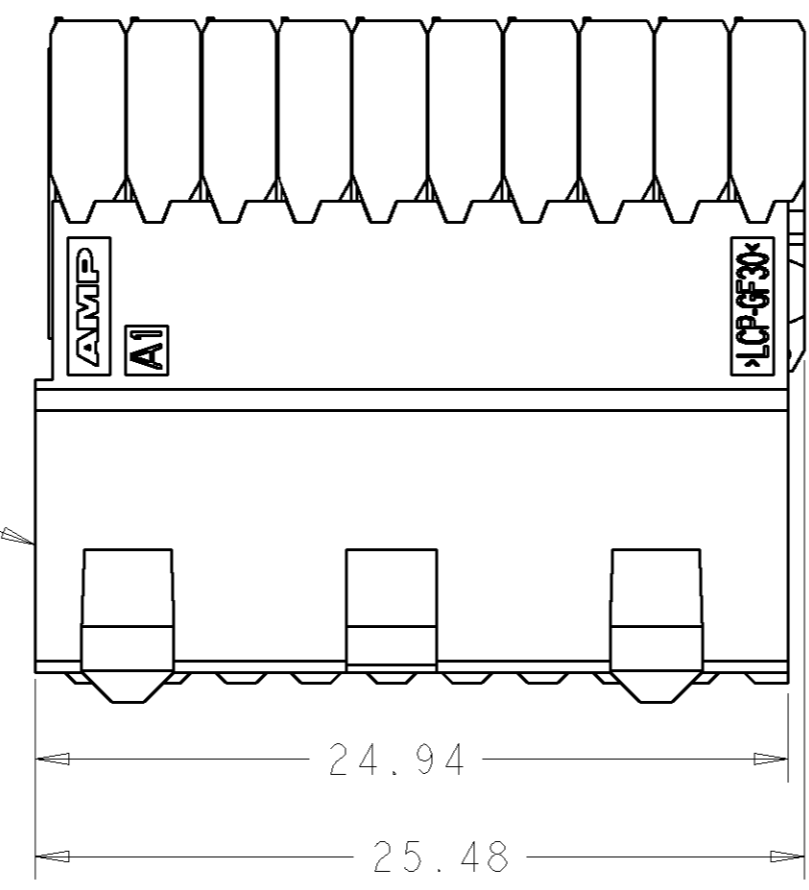
THIS DRAWING IS UNPUBLISHED. RELEASED FOR PUBLICATION 20
 © COPYRIGHT 20 BY TYCO ELECTRONICS CORPORATION. ALL RIGHTS RESERVED.

LOC	DIST	REVISIONS					
		P	LTR	DESCRIPTION	DATE	DWN	APVD
AD	00	0		REV PER EC 0S12-0324-04	07DEC2004	BC	RP
		01		REV PER ECO-06-024579	22JAN2007	JRP	RAP

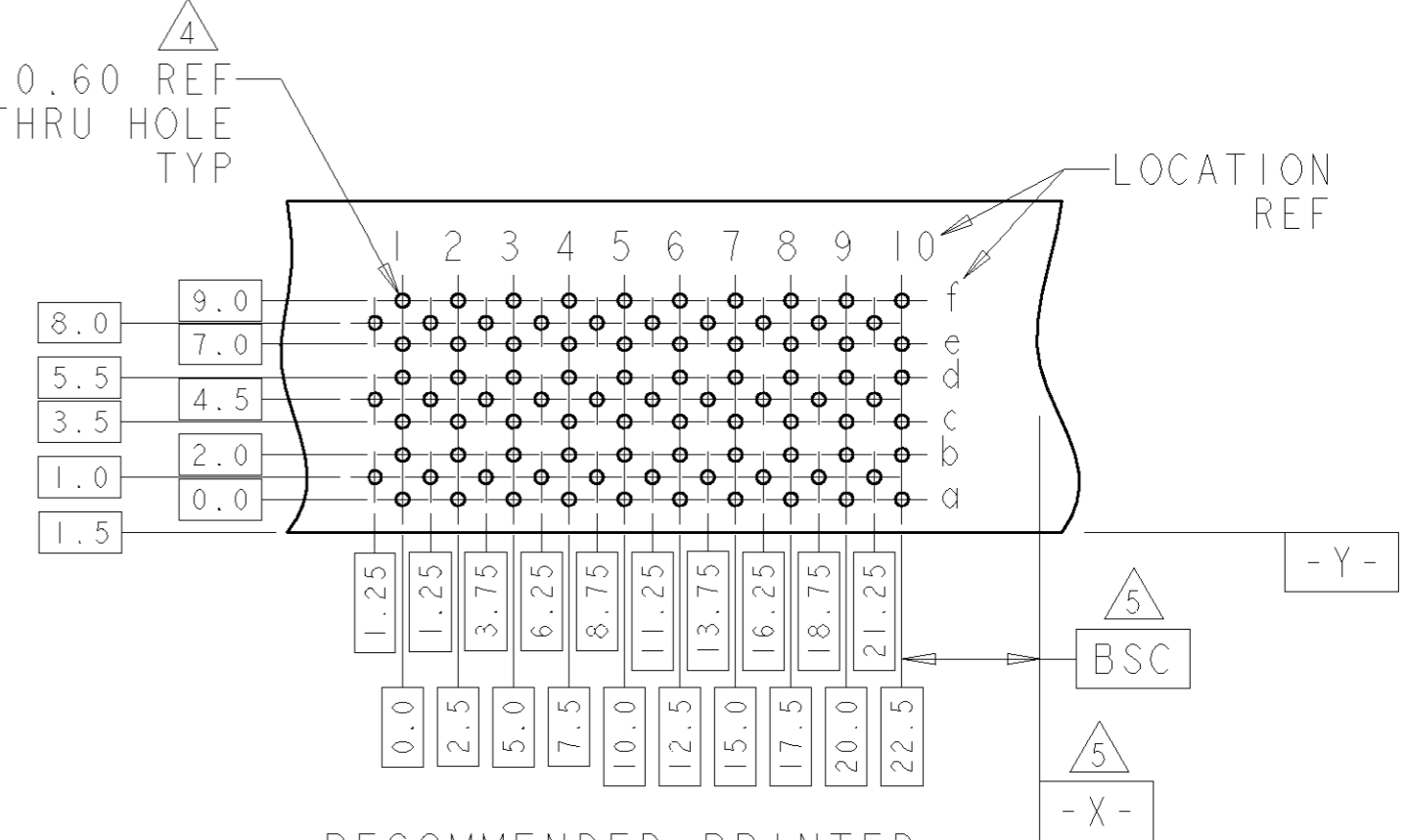
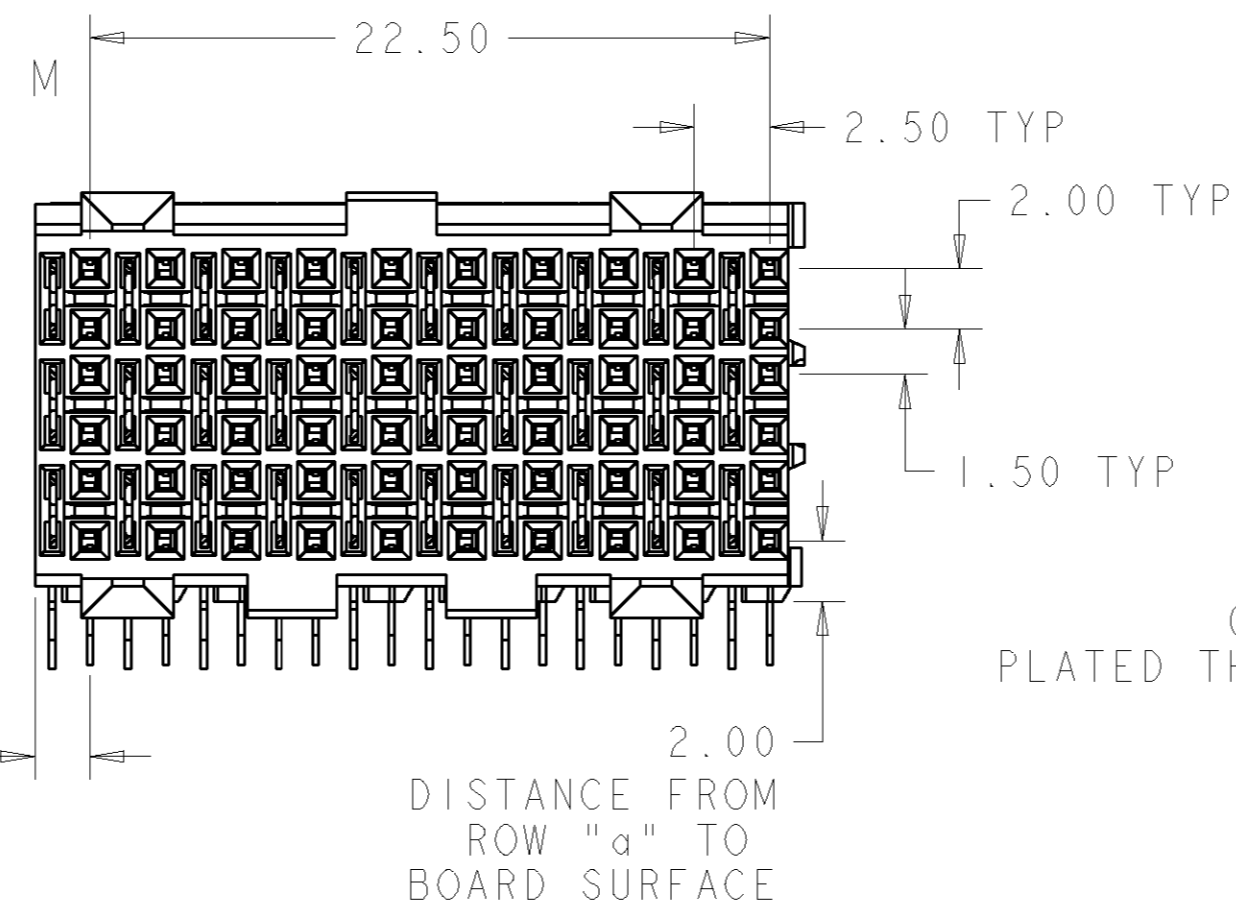
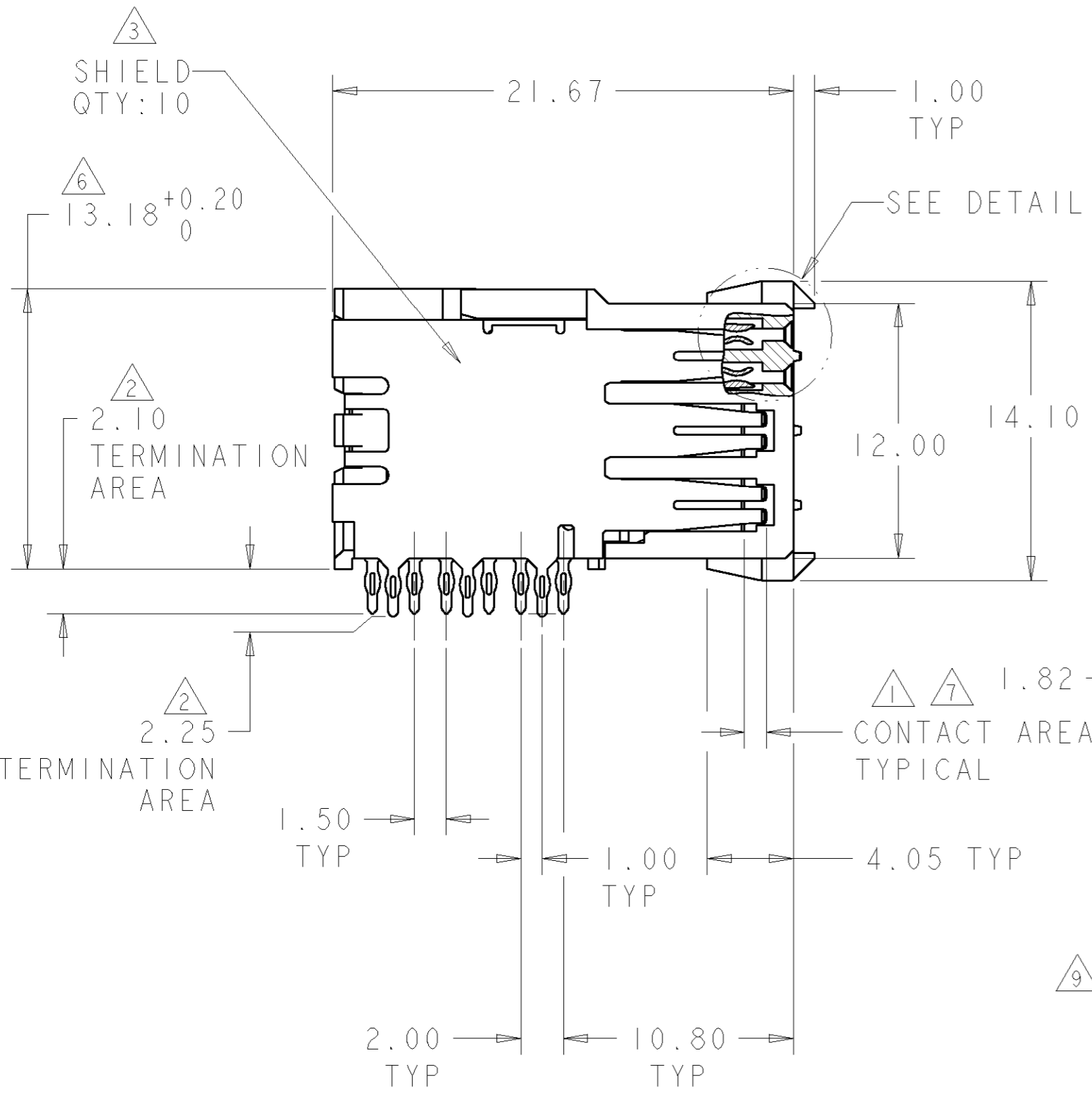


CONTACT QTY: 60

HOUSING QTY: 1

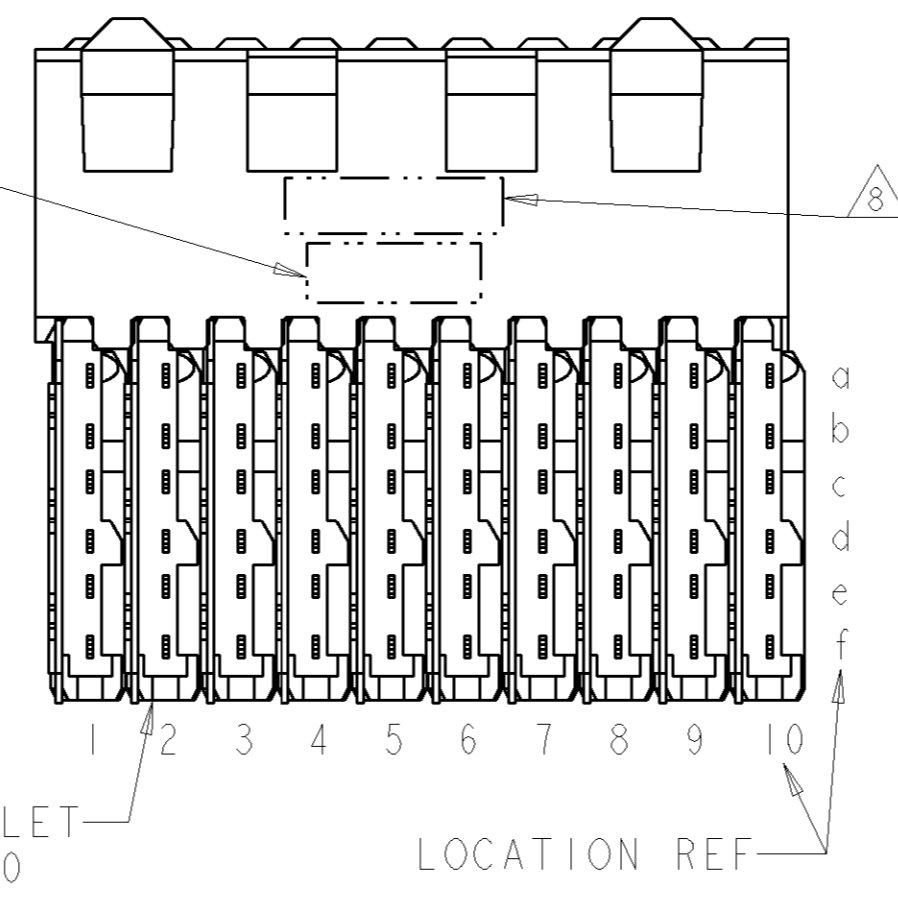


- 1 0.76µm MIN GOLD OVER 1.27µm MIN NICKEL OR GOLD FLASH OVER 0.76µm MIN PALLADIUM-NICKEL OVER 1.27µm MIN NICKEL
- 2 0.76µm MIN TIN OVER 1.27µm MIN NICKEL
- 3 MATERIAL:
CONTACT - COPPER ALLOY
SHIELD - PHOSPHOR BRONZE
HOUSING - LCP, UL94V-0
CHICKLET - GLASS FILLED POLYESTER
- 4 REFERENCE APPLICATION SPEC 114-13020 FOR RECOMMENDED PLATED THRU HOLE DIAMETER AND PLATING THICKNESS.
- 5 DATUM AND BASIC DIMENSION ESTABLISHED BY CUSTOMER.
- 6 SEATING HEIGHT TO BOARD SURFACE.
- 7 CONTACT AREA LUBRICATED WITH BELLCORE APPROVED LUBRICANT. TECHNICAL REFERENCE: GR-1217-CORE, ISSUE 1, NOVEMBER 1995.
- 8 DATE CODE
- 9 PART NUMBER



RECOMMENDED PRINTED
 CIRCUIT BOARD LAYOUT
 COMPONENT SIDE OF PRINTED CIRCUIT BOARD
 SCALE 3:1

5120786-1
 PART NUMBER



CHICKLET QTY: 10

LOCATION REF

THIS DRAWING IS A CONTROLLED DOCUMENT FOR TYCO ELECTRONICS CORPORATION. IT IS SUBJECT TO CHANGE AND THE CONTROLLING ENGINEERING ORGANIZATION SHOULD BE CONTACTED FOR THE LATEST REVISION.		DWN B. CARBO 07DEC04	tyco Electronics		Tyco Electronics Harrisburg, PA 17105-3608	
DIMENSIONS: mm		CHK R. PATTERSON 07DEC04	NAME RECEPTACLE ASSEMBLY, 60 POSITION, 6 ROW, DUAL BEAM, Z-PACK HS3			
TOLERANCES UNLESS OTHERWISE SPECIFIED: 0 PLC ± 1 PLC ± 2 PLC ±0.13 3 PLC ±0.050 4 PLC ± ANGLES ±		APVD R. PATTERSON 07DEC04	PRODUCT SPEC 108-1957			
MATERIAL 3		APPLICATION SPEC 114-13020		SIZE A2	CAGE CODE 00779	DRAWING NO 5120786
FINISH SOLDER TAIL: 1 SOLDER TAIL: 2		WEIGHT -		RESTRICTED TO -		SCALE 3:1
CUSTOMER DRAWING		SHEET 1		OF 1		REV 01