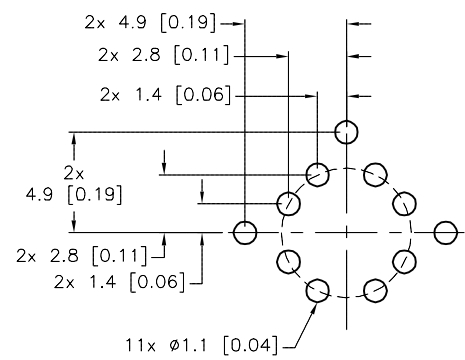
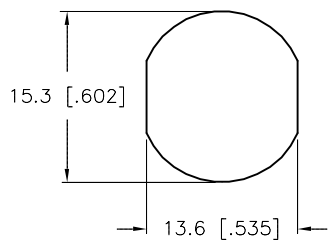
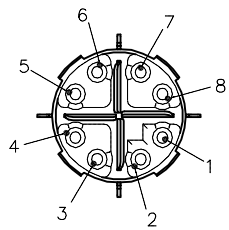


FEMALE END VIEW

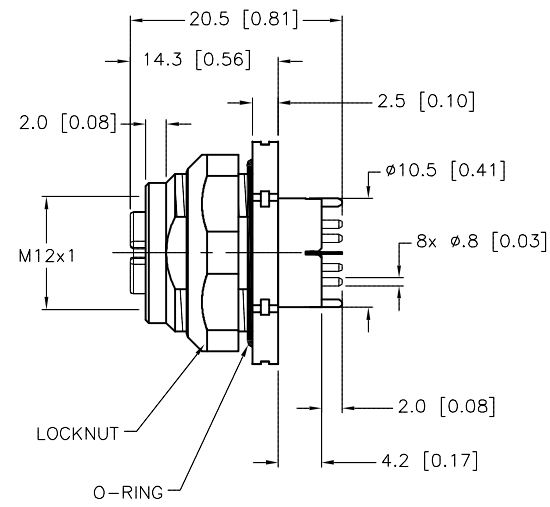
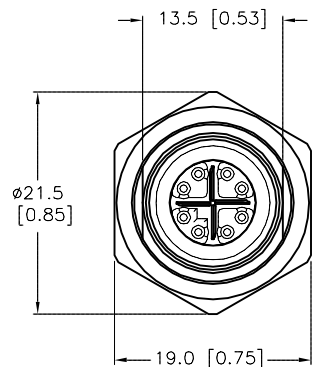
TYPICAL PANEL CUTOUT

TYPICAL BOARD LAYOUT

SPECIFICATIONS



CONTACT CARRIER MATERIAL	PA
CONTACT MATERIAL/PLATING	BRASS/GOLD
HOUSING MATERIAL/COLOR	BRASS/NICKEL
O-RING MATERIAL	BUNA-N
RATED CURRENT [A]	0.5 A
RATED VOLTAGE [V]	48V
NUMBERS OF CONDUCTORS [AWG]	8 PRINTED CIRCUIT PINS
TEMPERATURE RATING	-30°C to +90°C (-22°F to +194°F)
PROTECTION CLASS	MEETS IEC IP67



SOURCE DRAWING - FOR REFERENCE ONLY

NOTES:
1. TURCK EQUIVALENT: FKFDKX 86-PCB

RELATED DOCUMENTS 1. 2. 3. 4.	3RD ANGLE PROJECTION	THIS DRAWING IS CONFIDENTIAL AND THE PROPERTY OF TURCK INC. USE OF THIS DOCUMENT WITHOUT WRITTEN PERMISSION IS PROHIBITED.			3000 CAMPUS DRIVE MINNEAPOLIS, MN 55441 1-800-544-7769 (763) 553-7300 (763) 553-0708 fax turck.com
			DRFT RDS	DATE 08/24/12	DESCRIPTION FKFDKX 86-PCB
MATERIAL SEE SPECIFICATIONS	ALL DIMENSIONS DISPLAYED ON THIS DRAWING ARE FOR REFERENCE ONLY	APVD A.A.	SCALE 1=.8	IDENTIFICATION NO. U2-20078	REV B
FINISH SEE SPECIFICATIONS		UNIT OF MEASUREMENT MILLIMETER [INCH]			FILE: U2-20078
B CONTACT HOLDER COLOR CHANGE TO BLACK	KMY	04/26/13	42030	DO NOT SCALE THIS DRAWING	
REV DESCRIPTION	BY	DATE	ECO NO.		