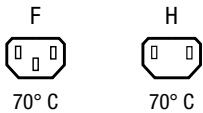


IEC Appliance Outlet F or H, Screw-on Mounting, Front Side, Solder or Quick-connect Terminal



Description

- Panel Mount:
Screw-on mounting, from front side
- 1 Function:
- Connector, Pin temperature 70 °C, protection class I or II
- Solder terminals or quick connect terminals

Approvals

- VDE Certificate Number: 40010295
- UL File Number: E57445
- CSA File Number: 27324

References

We recommend for new applications the type [6600-3](#)

Weblinks

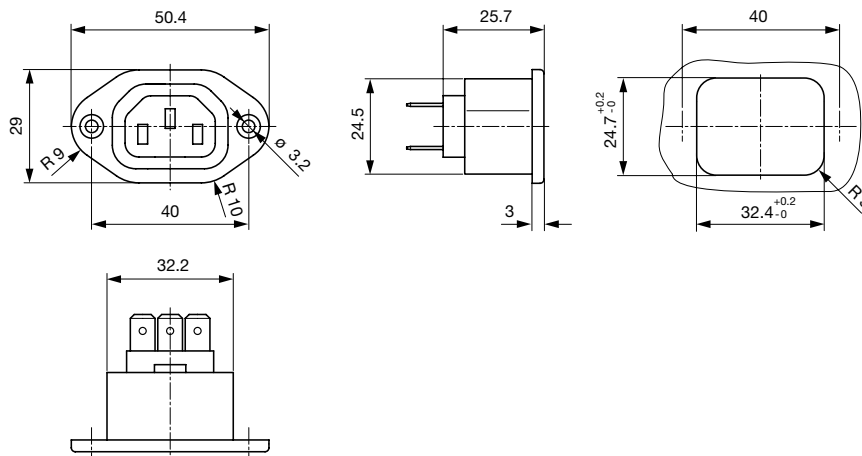
[pdf-datasheet](#), [html-datasheet](#), [General Product Information](#), [Approvals](#), [CE declaration of conformity](#), [RoHS](#), [CHINA-RoHS](#), [REACH](#), [Mating Connectors](#), [e-Shop](#), [SCHURTER-Stock-Check](#), [Distributor-Stock-Check](#), [CAD-Drawings](#), [Accessories](#), [Detailed request for product](#)

Technical Data

Ratings IEC	10A / 250VAC; 50Hz
Ratings UL/CSA	15A / 250VAC; 60Hz
Dielectric Strength	> 4 kVAC between L-N > 2 kVAC between L/N-PE (1 min/50Hz)
Allowable Operation Temp.	-25 °C to 70 °C
Degree of Protection	from front side IP 20 acc. to IEC 60529
Protection Class	Suitable for appliances with protection class I or II acc. to IEC 61140
Terminal	Solder terminals or quick connect terminals
Material: Housing	PA6, black or grey, UL 94V-0

Appliance Outlet	F acc. to IEC 60320 UL 498, CSA C22.2 no. 42 (for cold conditions) pin-temperature 70 °C, 10A, Protection Class I or II
------------------	--

Dimensions



Length of the terminal please find at the order code configuration table

Config. Code

5098 - H - A B C 0 - D - E O

The characters are placeholders for the correspondingly keys of selections from the key tables.


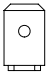
5098 - H - A B C 0 - D - E O = Type

Type	Configuration key
protection class II	B
protection class I	X

5098 - H - A B C 0 - D - E O = Color

Color	Configuration key
Black	A
Grey	B

5098 - H - A B C 0 - D - E O = Terminals

Terminal L	Configuration key
solder terminal 	1
Blade terminal (6.3 x 0.8 mm) 	9

5098 - H - A B C 0 - D - E O = Style

Style	Configuration key
flange with countersunk holes	1
flange with through holes	2

5098 - H - A B C 0 - D - E O = Terminals

Terminal N	Configuration key
solder terminal	1
Blade terminal (6.3 x 0.8 mm)	9

Symbols similar as in table A

5098 - H - A B C 0 - D - E O = Features

Features	Configuration key
not used	0
dead cover	1
holder for 1 fuse (text legible, when inlet on top)	2
holder for 1 fuse (text legible, when inlet on bottom)	3
holder for 1 or 2 fuses (text legible, when inlet on top)	4
holder for 1 or 2 fuses (text legible, when inlet on bottom)	5
voltage selector with 1 fuse	6
voltage selector with 2 fuses	7
thermal circuit breaker for rated current 4A	A
thermal circuit breaker for rated current 6A	B
thermal circuit breaker for rated current 8A	C
thermal circuit breaker for rated current 10A	D
thermal circuit breaker for rated current 15A	E
thermal circuit breaker for rated current 20A	F

5098 - H - A B C 0 - D - E O = Terminals

Terminal Ground	Configuration key
without terminal	0
solder terminal	1
Blade terminal (6.3 x 0.8 mm)	9

Symbols similar as in table A

All Variants

Config. Code	Description	Order Number
5098-B-9900-A-1	5098, IEC Appliance Outlet F, 70°C, version: I or II, L: Blade terminal (6.3 x 0.8 mm), N: Blade terminal (6.3 x 0.8 mm), ground: without terminal, color: Black, design: flange with countersunk holes, dimension S:	6182.0027
5098-X-1110-A-1	5098, IEC Appliance Outlet F, 70°C, version: I or II, L: solder terminal, N: solder terminal, ground: solder terminal, color: Black, design: flange with countersunk holes, dimension S:	6182.0028
5098-X-1110-B-1	5098, IEC Appliance Outlet F, 70°C, version: I or II, L: solder terminal, N: solder terminal, ground: solder terminal, color: Grey, design: flange with countersunk holes, dimension S:	6182.0030
5098-X-9990-A-1	5098, IEC Appliance Outlet F, 70°C, version: I or II, L: Blade terminal (6.3 x 0.8 mm), N: Blade terminal (6.3 x 0.8 mm), ground: Blade terminal (6.3 x 0.8 mm), color: Black, design: flange with countersunk holes, dimension S:	6182.0031
5098-X-9990-B-1	5098, IEC Appliance Outlet F, 70°C, version: I or II, L: Blade terminal (6.3 x 0.8 mm), N: Blade terminal (6.3 x 0.8 mm), ground: Blade terminal (6.3 x 0.8 mm), color: Grey, design: flange with countersunk holes, dimension S:	6182.0032

The listed variants should be available from stock. Other versions on request www.schurter.com/contact

Most Popular.

Availability for all products can be searched real-time: <http://www.schurter.com/en/Stock-Check/Stock-Check-SCHURTER>

Packaging unit 50 Pcs

Mating Inlets/Plugs

Category / Description

[Plug Overview complete](#)



IEC Plug E, Cord Connector (Rewireable), Straight, max. cable Diameter 8.5 mm	4732
IEC Plug E, Cord Connector (Rewireable), Straight, max. Cable Diameter 10 mm	4735
IEC Plug E, Cord Connector (Rewireable), Straight	9009
IEC Plug E, Cord Connector (Rewireable), Angled, max. Cable Diameter 8.5 mm	4733
IEC Plug E, Cord Connector (Rewireable), Angled, max. Cable Diameter 10 mm	4736
Plug further types to 5098	...