



Magnetic Cylinder Sensors with a Compact Design

BMF 307



BMF 307	BMF 307	BMF 307	BMF 307	BMF 307
The compact sensor for the T-slot with M8 connector	The compact sensor for the T-slot with V-Twin M8 connector	The compact sensor for the T-slot with M12 connector	The compact sensor for the T-slot with V-Twin M12 connector	The compact sensor for the T-slot with direct PUR cable
BMF0072	BMF0077	BMF006Y	BMF0076	BMF006U
BMF307K-PS-C-2-SA2-S49-00,3	BMF307K-PS-C-2-SA95-S75-00,3	BMF307K-PS-C-2-S4-00,2	BMF307K-PS-C-2-SA95-S4-00,3	BMF307K-PS-C-2-PU-02
BMF006T				BMF006M
BMF307K-PO-C-2-SA2-S49-00,3				BMF307K-PO-C-2-PU-02
BMF006L				BMF006H
BMF307K-NS-C-2-SA2-S49-00,3				BMF307K-NS-C-2-PU-02
BMF006E				BMF0069
BMF307K-NO-C-2-SA2-S49-00,3				BMF307K-NO-C-2-PU-02
10...30 V DC	10...30 V DC	10...30 V DC	10...30 V DC	10...30 V DC
≤ 3.1 V	≤ 3.1 V	≤ 3.1 V	≤ 3.1 V	≤ 3.1 V
75 V DC	75 V DC	75 V DC	75 V DC	75 V DC
200 mA	200 mA	200 mA	200 mA	200 mA
30 mA	30 mA	30 mA	30 mA	30 mA
Yes/Yes/Yes	Yes/Yes/Yes	Yes/Yes/Yes	Yes/Yes/Yes	Yes/Yes/Yes
1.2 kA/m (15 Gauss)	1.2 kA/m (15 Gauss)	1.2 kA/m (15 Gauss)	1.2 kA/m (15 Gauss)	1.2 kA/m (15 Gauss)
≥ 2 kA/m (25 Gauss)	≥ 2 kA/m (25 Gauss)	≥ 2 kA/m (25 Gauss)	≥ 2 kA/m (25 Gauss)	≥ 2 kA/m (25 Gauss)
≤ 0.3 %/°C	≤ 0.3 %/°C	≤ 0.3 %/°C	≤ 0.3 %/°C	≤ 0.3 %/°C
≤ 0.05 ms/≤ 0.05 ms	≤ 0.05 ms/≤ 0.05 ms	≤ 0.05 ms/≤ 0.05 ms	≤ 0.05 ms/≤ 0.05 ms	≤ 0.05 ms/≤ 0.05 ms
-25...+85 °C	-25...+85 °C	-25...+85 °C	-25...+85 °C	-25...+85 °C
IP 67	IP 67	IP 67	IP 67	IP 67
CE, cULus	CE, cULus	CE, cULus	CE, cULus	CE, cULus
LCP	LCP	LCP	LCP	LCP
0.3 m PUR cable with M8 connector, 3-pin	0.3 m PUR cable with M8 connector, 4-pin	0.2 m PUR cable with M12 connector, 4-pin	0.3 m PUR cable with M12 connector, 4-pin	2 m PUR cable
BCC M313-0000-10-001-PX43T2-050	BCC M314-0000-10-003-PX43T2-050	BCC M415-0000-1A-003-PX44T2-050	BCC M415-0000-1A-003-PX44T2-050	26 AWG
Slide-in	Slide-in	Slide-in	Slide-in	Slide-in
┌┐ T-slot	┌┐ T-slot	┌┐ T-slot	┌┐ T-slot	┌┐ T-slot



Magnetic cylinder sensors

Magnetic cylinder sensors with mounting system

Magnetic cylinder sensors with a compact design

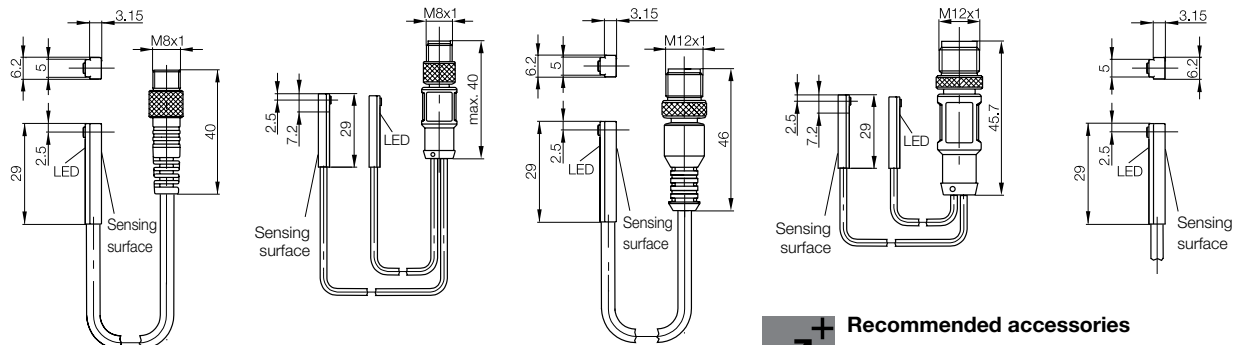
BMF 204 Global

BMF 214 Global

BMF 243 Global

BMF 235 Global

BMF 307



Recommended accessories
(please order separately)



Special accessories for magnetic cylinder sensors, such as **installation tools, cable clips, or tube cuffs**, can be found in this catalog on page 910.

Magnetic cylinder sensors with special properties

Magnetic sensors for object detection

Magneto-inductive displacement sensors for analog position measurement

Accessories for magnetic cylinder sensors