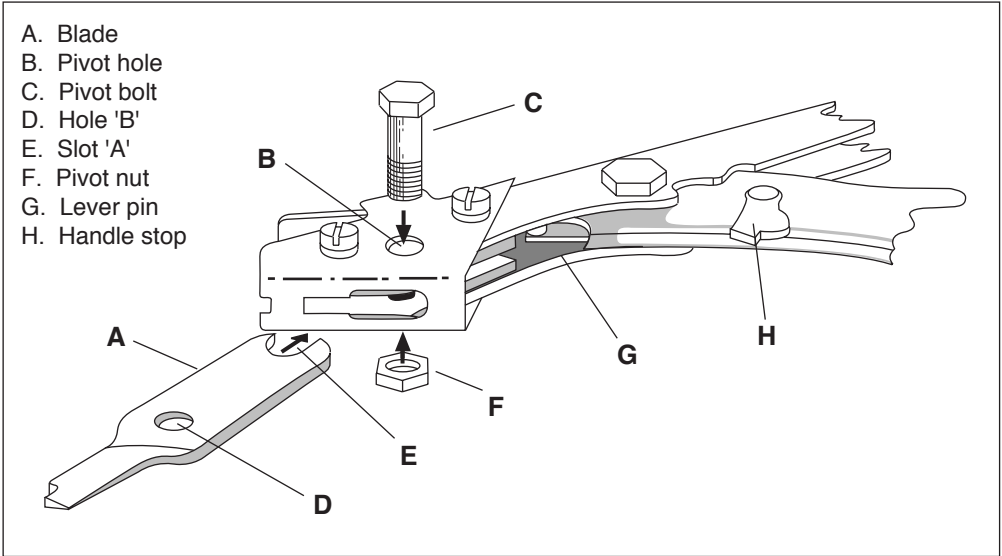




Replacement Cutting Blade for Sheet Nibbler

Stock No. 547-789



The diagram above gives a view of the nibbler blade assembly. Firstly ensure that the handle stop is released as shown. Slide the blade into the frame locating slot A around the lever pin and align hole B with the pivot hole. Pass the pivot bolt through and screw it into the frame. Lock the bolt with the pivot nut.