


# isolating switches

## selection chart


### VISTOP VISIBLE LOAD BREAK SWITCHES

	Rating (A)	Black handle			
		Front handle		Side handle	
		3 P	4 P	3 P	4 P
	63	225 12	225 15	225 16	225 18
	100	225 20	225 22	225 25	225 27
125	225 34	225 39	225 44	225 46	
160	225 51	225 53	225 54	225 56	


### DPX-IS VISIBLE LOAD BREAK SWITCHES

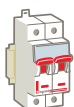
 	Rating (A)	Without release					
		Front handle		Right-hand side handle		Left-hand side handle	
		3 P	4 P	3 P	4 P	3 P	4 P
	160	266 02		266 12		266 22	
	250	266 03	266 07	266 13	266 17	266 23	266 27
	400	266 60	266 62	266 64	266 66	266 68	266 70
	630	266 61	266 63	266 65	266 67	266 69	266 71
	800	265 91	265 95	with release			
	1 000	265 92	265 96	with release			
	1 250	265 93	265 97	with release			
1 600	265 94	265 98	with release				

### DPX-I TRIP-FREE SWITCHES


	Rating (A)	Devices	3 P
	125	DPX-I 125	250 98
	160	DPX-I 160	251 98
	250	DPX-I 250 ER	252 98
	250	DPX-I 250	253 98
	400	DPX-I 630	255 86
	630	DPX-I 630	255 88
	800	DPX-I 1 600	257 94
	1 250	DPX-I 1 600	257 96
	1 600	DPX-I 1 600	257 98

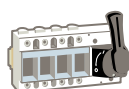
### DX-IS ISOLATING SWITCHES

	Rating (A)	Without release			
		1 P	2 P	3 P	4 P
	16	043 01	043 21		
	20	043 02	043 22	043 42	043 62
	32	043 05	043 25	043 45	043 65
	40	043 07	043 27	043 47	043 67
	63	043 10	043 30	043 50	043 70
	100	043 14	043 34	043 54	043 74
	125		043 38	043 58	043 78




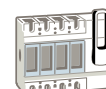
#### DX-IS

- Isolation with positive contact indication from 16 to 125 A
- Tripping version (common DX auxiliaries)
- Red handle: main device
- Faulty contact indicator
- Fixing on rail 




#### VISTOP

- Isolation with visible contact indication from 63 to 160 A
- Fixing on  rail or on plate
- External reversible side handle or front handle



#### DPX-IS

- Isolation with visible contact indication from 160 to 1 600 A
- Fixing on  rail or on plate up to 250 A. Above 250 A, fix on plate
- Tripping version (common DPX auxiliaries)

## DPX-I 125 to 1 600 A

trip-free switches



250 98



255 88

Conform to IEC 60947-3  
 Category of use AC 23 A  
 Can be associated to earth leakage modules or to corresponding DPX residual current relays  
 Mount on rail 2 up to DPX 250 ER  
 Connection identical to corresponding DPX

### Pack Cat.No. DPX-I 125

	3P	In
1	250 98	125 A

### DPX-I 250 ER

	3P	In
1	251 98	160 A

### DPX-I 250 ER

	3P	In
1	252 96	160 A
1	252 98	250 A

### DPX-I 250

	3P	In
1	253 98	250 A

### DPX-I 630

	3P	In
1	255 86	400 A
1	255 88	630 A

### DPX-I 1 600

	3P	In
1	257 96	1 250 A
1	257 98	1 600 A

## Vistop™ 63 to 160 A

visible load break isolating switches, screws or rail fixing  
 din-rail mounting



225 15



225 18

Safety isolating switches with visible breaking of load and positive action of the contacts  
 Double breaking of the phases by self-cleaning snap open/close action contacts  
 Label holders for identification of the circuits  
 Connection via cage terminals tightened by Allen key (except 63 A ; by PZ 2 screws)  
 Screw-fixing or on EN 50022 4 rail (only on rail for 63 A Vistop)

Two versions for mounting on faceplate:

- With left or right external side handle with seal to maintain the IP protection (up to IP 55), mounting accessories, self-adhesive drilling template, adjustable extension rod (30 to 170 mm)
- With direct or external front handle with Cat. No. 227 32 to be ordered separately

Possibility of attaching a 2-pole - 16 A auxiliary isolating switch Cat. No. 227 22, or one or two N/C + N/O auxiliary Cat. No. 227 04/07

Pack	Cat. No.		Black handle	
	Front handle	Side handle	63 A	No of 17.5 mm modules
1/10	225 12	225 16	3-pole	7
1/10	225 15	225 18	4-pole	7
			<b>100 A</b>	
1/10	225 20	225 25	3-pole	7.5
1/10	225 22	225 27	4-pole	9
			<b>125 A</b>	
1/10	225 34	225 44	3-pole	7.5
1/10	225 39	225 46	4-pole	9
			<b>160 A</b>	
1/10	225 51	225 54	3-pole	7.5
1/10	225 53	225 56	4-pole	9

## Vistop™ accessories

for load break isolating switches Up to 160A

### Pack Cat. No. Auxiliary contacts

		Set of 2 auxiliary switches for on/off signalling 5A/250V
1/100	227 04	Single pole auxiliary from 63A to 160A (1NO + 1NC)
1/100	227 07	Additional contact from 63A to 160A (2NO + 2NC)

### Door interlock facilities

		Extension shaft door interlock (1)
1/10	227 32	For 63/100/125A /160 Vistop

### Sealable terminal shields

		Set of 2 separate, sealable terminal shields
50	227 98	Clip on upstream and/or downstream of Vistop 100 to 160 A
1/50	227 22	2P 16A Contact (Switch module) for Vistop 100/125/160A

# Vistop™ 63 to 160 A

isolating switch rail mounting

Conform to standards NF C 63-130, NF EN 60947-3, IEC 60947-3, BS EN 60947-3, VDE 0660, NBN EN 60947-3, CNOMO E03 - 15-611 R, Veritas approved

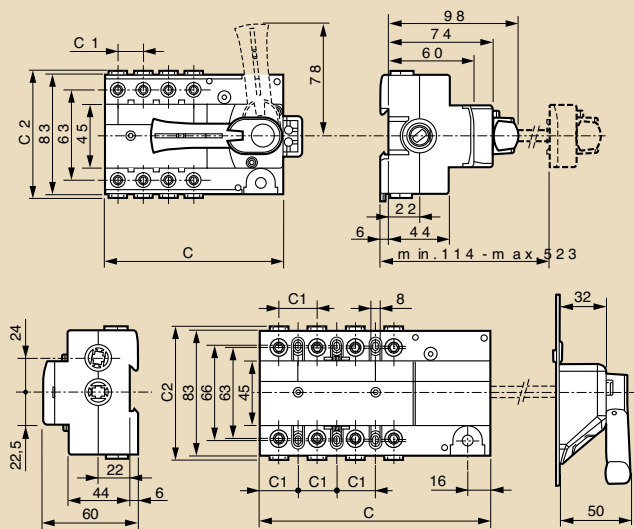
Version with red handle/yellow front plate conforms to standards NF C 79-130, VDE 0113, IEC 60204-1, EN 60204

Glass fibre reinforced insulating casing, self-extinguishing at 960° C (IEC NF EN 60695-2-1)

Handle can be padlocked in open position using 1-3 padlocks Ø 6 mm Vistop™ 63 to 160 A - visible contact indication

Accept auxiliary contacts N/C + N/O (cat. No 227 04/07) 1 or 2 (side handle)

Front handle



# DPX™-IS 250 isolating switches

160 to 250 A



266 07



266 17



262 39

Isolating switches for on-load circuit breaking by visible isolation and positive action of the contacts

Padlock integrated in the handle

Connection with cage terminals

Supplied with terminal shields

Conform to IEC 60947-3

Category of use AC 23 A

Accept the same electrical auxiliaries as the DPX (p. 20)

Pack	Cat. No.		DPX-IS without release
	3P	4P	<b>Front handle</b>
1	266 02		160 A
1	266 03	266 07	250 A
			<b>Right-hand side handle</b>
1	266 12		160 A
1	266 13	266 17	250 A
			<b>Left-hand side handle</b>
1	266 22		160 A
1	266 23	266 27	250 A

Pack	Cat. No.	Mounting on rail
1	262 39	<b>Rail 4 fixing plate</b> For mounting DPX-IS 250

Pack	Cat. No.	Rotary handles
		<b>Vari-depth handle IP 55</b>
		Comprising: connecting rod, bracket, self-adhesive drilling template, fixing accessories (seal to maintain the IP protection up to IP 55, door lock mechanism)
1	266 86	For front and side handle device
		<b>Accessories</b>
		<b>Cage terminals</b>
1	262 88 <sup>(1)</sup>	Set of 4 For cable 185 mm <sup>2</sup> (rigid) or 150 mm <sup>2</sup> (flexible) for DPX 250 ER and DPX-IS 250
1	273 22	Spreaders Set of upstream and downstream spreaders
		<b>Rear terminals</b>
		Used to convert the fixed version with front terminals to the fixed version with rear terminals
1	3P 265 10   4P 265 11	Set of upstream and downstream terminals
		<b>Terminal shields</b>
1	262 87	Set of 2
1	262 99	Rail height spacer fits on Din Rail used to mount on the same row DX and DPX/DPX-IS

(1) Can not be mounted on side by side mounted earth leakage modules 160 A



# DPX™-IS 630 isolating switches

400 to 630 A



266 62



266 70



262 50

Isolating switches for on-load circuit breaking by visible isolation and positive action of the contacts  
 Padlock integrated in the handle  
 Supplied with terminal shields, and cage terminals  
 Conform to IEC 60947-3  
 Category of use AC 23 A  
 Accept the same electrical auxiliaries as the DPX (p. 20)

Pack	Cat. No.		DPX-IS without release
	<b>3P</b>	<b>4P</b>	<b>Front handle</b>
1	266 60	266 62	400 A
1	266 61	266 63	630 A
			<b>Right-hand side handle</b>
1	266 64	266 66	400 A
1	266 65	266 67	630 A
			<b>Left-hand side handle</b>
1	266 68	266 70	400 A
1	266 69	266 71	630 A
			<b>Rotary handles</b>
			Comprising: connecting rod, bracket, self-adhesive drilling template, fixing accessories (seal to maintain the IP protection up to IP 55, door lock mechanism)
1	266 86		For front and side handle device

Pack	Cat. No.		Accessories
			<b>Cage terminals</b>
1	262 50		Set of 4 terminals for cable 300 mm <sup>2</sup> max.(rigid) or 240 mm <sup>2</sup> max.(flexible)
	<b>3P</b>	<b>4P</b>	<b>Spreaders</b>
1	262 48	262 49	Set of incoming or outgoing spreaders
			<b>Rear terminals</b>
			Used to convert the fixed version with front terminals to the fixed version with rear
1	263 50	263 51	Set of incoming and outgoing swivel rear terminals
1	263 52	263 53	Set of incoming and outgoing flat rear terminals
			<b>Sealable terminal shields</b>
1	262 45		Set of 2
			<b>Padlock</b>
1	266 97		For locking mechanism in open position Ronis

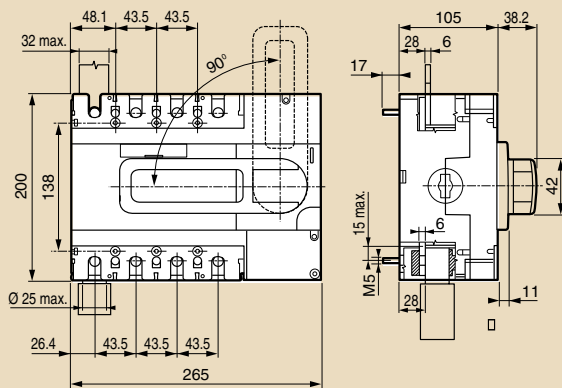
# DPX-IS™ 630

## Technical characteristics

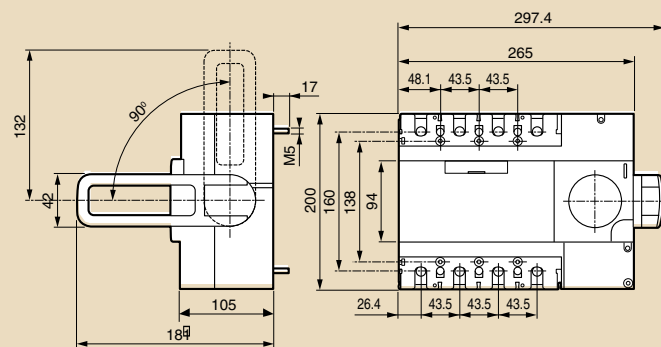
Rating	400 A	630 A
Terminals	cage	
Connection	Cu flexible	1 x 240 or 2 x 185 mm <sup>2</sup>
	Cu rigid	1 x 240 or 2 x 185 mm <sup>2</sup>
Copper bar	Width max 32 mm	
Nominal Rating (Ue)	690 V ac	
Rated insulation voltage (Ui)	800 V ac	
Rated impulse withstand voltage (Uimp)	8 kV ac	
AC 23 A	400 V ac	400 A
	500 V ac	400 A
	690 V ac	400 A
AC 22 A	400 A	630 A
	690 V ac	400 A
I admissible Is (Icw)	20 kA RMS	
I admissible with fuse (kA efficient) (Icc)	100 kA	
Max. rating of fuse gG	400 A	630 A
Max. rating of fuse aM	400 A	630 A
Short-circuit making capacity (kA efficient) (Icm)	40 kA	
Mechanical endurance	15 000 operations	
Electrical endurance (AC 23 400 V ac)	1 500 operations	
Index of protection	IP 20 front panel	

## Dimensions

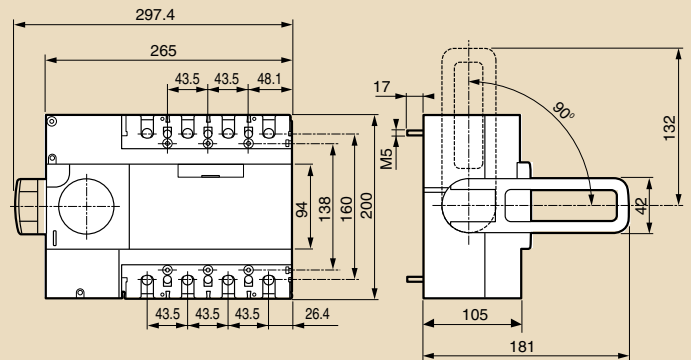
### Front handle



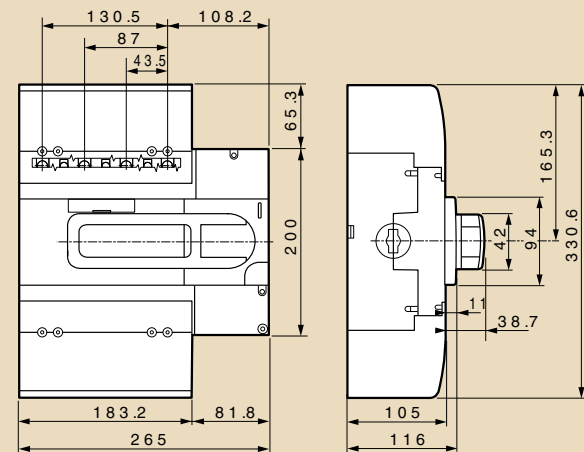
### Right lateral handle



### Left lateral handle



### Front handle with terminal shields



# DPX-IS 1 600 isolating switches

800 to 1 600 A  
accessories



265 98



262 65

Isolating switches for on-load circuit breaking by visible isolation and positive action of the contacts  
Connection with cage terminals  
Padlock integrated in the handle  
Supplied with terminal shields  
Conform to IEC 60947-3  
Category of use AC 23 A

Pack	Cat. No.		DPX-IS with release
	<b>3 P</b>	<b>4 P</b>	Supplied without shunt release Can be associated with a residual current relay with separate coil
			<b>Front handle</b>
1	265 91		800 A
1	265 92		1 000 A
1	265 93	265 97	1 250 A
1	265 94	265 98	1 600 A

Pack	Cat. No.		Mounting accessories
	<b>3 P</b>	<b>4 P</b>	<b>Sealable terminal shields</b>
1	262 64	262 65	Set of 2 short terminal shields
			<b>Insulation shields</b>
1	262 66		Used to isolate the connections between each pole Set of 3 insulation shields

Pack	Cat. No.		Connection accessories
			<b>Cage terminals</b>
1	262 69		Set of 1 terminal for cables 2 x 240 mm <sup>2</sup> max. (rigid) or 2 x 185 mm <sup>2</sup> max. (flexible)
1	262 70		Set of terminal for cables 4 x 240 mm <sup>2</sup> max. (rigid) or 4 x 185 mm <sup>2</sup> max. (flexible)
	<b>3 P</b>	<b>4 P</b>	<b>Spreaders</b>
1	262 73	262 74	For increasing the distance between each pole to be connected Set of upstream or downstream spreaders
			<b>Rear terminals</b>
1	263 80	263 82	Set of 6 (or 8) rear terminals, upstream or downstream
1	263 81		Short terminals
			Long terminals
			<b>Extended front terminals</b>
1	262 67		Short terminals
1	262 68		Long terminals

Common auxiliaries to DPX (p. 20)

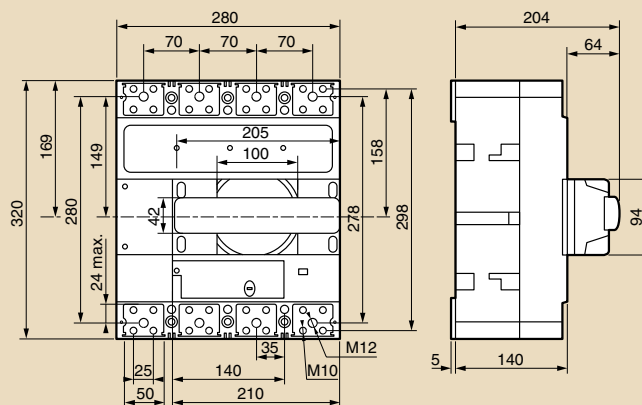
# DPX-IS 1 600 isolating switches

## Electrical characteristics

Rating		800 A	1 000 A	1 250 A	1 600 A
<b>Connection</b>	Cu flexible	2 x 185 mm <sup>2</sup> or 4 x 185 mm <sup>2</sup>			
	Cu rigide	2 x 240 mm <sup>2</sup> or 4 x 240 mm <sup>2</sup>			
	Alu	2 x 240 mm <sup>2</sup> or 4 x 240 mm <sup>2</sup>			
<b>Copper bar</b>		50 mm or 80 mm			
<b>Nominal rating (Ue)</b>		690 V±			
<b>Rated insulation voltage (Ui)</b>		690 V±			
<b>Rated impulse withstand voltage (Uimp)</b>		8 kV±			
<b>AC 23 A</b>	400 V±	800 A	1 000 A	1 250 A	1 600 A
	500 V±	800 A	1 000 A	1 250 A	1 600 A
	690 V±	800 A	1 000 A	1 250 A	1 600 A
<b>DC 23 A</b>	250 V±	800 A	1 000 A	1 250 A	1 600 A
<b>I admissible is for 1s (Icw)</b>		20 kA RMS			
<b>I admissible with fuse (Icc)</b>		100 kA RMS			
<b>Max. rating of fuse</b>		800 A	1 000 A	1 250 A	1 600 A
<b>Short-circuit making capacity (kA peak) (Icm)</b>		40 kA			
<b>Mechanical endurance</b>		10 000			
<b>Electrical endurance (AC 23 A - 400 V~)</b>		3 000	3 000	2 000	2 000
<b>Index of protection</b>		IP 20 front panel			

## Dimensions

Front handle with terminal shields



## Terminal shields

