

**Ordering number C13012_FLARE-MAXI-D**

Family	Flare	FWHM	15+115 degrees
Type	Lens	Efficiency	94 %
LED	XP-G	cd/lm	1.900
Color	Clear	Gerber File	Available
Diameter	33.9 + 33.3 mm		
Height	16.7 mm		
Style	Rectang		
Optic Material	PMMA		
Holder Material	-		
Fastening	Pin, glue		
Status	Ready		

Ordering number C12763_FLARE-MINI-A

Family	Flare	FWHM	21 + 99 degrees
Type	Lens	Efficiency	95 %
LED	XP-G	cd/lm	1.070
Color	Clear	Gerber File	Available
Diameter	16 mm		
Height	8.6 mm		
Style	Round		
Optic Material	PMMA		
Holder Material	-		
Fastening	Glue		
Status	Ready		

Ordering number C12837_FLARE-MINI-A-PIN

Family	Flare	FWHM	21 + 99 degrees
Type	Lens	Efficiency	95 %
LED	XP-G	cd/lm	1.070
Color	Clear	Gerber File	Available
Diameter	16 mm		
Height	8.6 mm		
Style	Round		
Optic Material	PMMA		
Holder Material	-		
Fastening	Pin, glue		
Status	Ready		

Ordering number CA12764_FLARE-MINI-A

Family	Flare	FWHM	22+114 degrees
Type	Assembly	Efficiency	94 %
LED	XP-G	cd/lm	0.800
Color	Clear	Gerber File	Available
Diameter	16 mm		
Height	9.1 mm		
Style	Round		
Optic Material	PMMA		
Holder Material	-		
Fastening	Tape		
Status	Ready		


Ordering number CA12838_FLARE-MINI-A-PIN

Family	Flare	FWHM	22+114 degrees
Type	Assembly	Efficiency	94 %
LED	XP-G	cd/lm	0.800
Color	Clear	Gerber File	Available
Diameter	16 mm		
Height	9.1 mm		
Style	Round		
Optic Material	PMMA		
Holder Material	-		
Fastening	Pin, tape		
Status	Ready		


Ordering number C13015_FLARE-MINI-AD

Family	Flare	FWHM	100+20 degrees
Type	Lens	Efficiency	94 %
LED	XP-G	cd/lm	1.100
Color	Clear	Gerber File	Available
Diameter	16 mm		
Height	8.6 mm		
Style	Round		
Optic Material	PMMA		
Holder Material	-		
Fastening	Glue		
Status	Ready		


Ordering number C13016_FLARE-MINI-AD-PIN

Family	Flare	FWHM	100+20 degrees
Type	Lens	Efficiency	94 %
LED	XP-G	cd/lm	1.100
Color	Clear	Gerber File	Available
Diameter	16 mm		
Height	8.6 mm		
Style	Round		
Optic Material	PMMA		
Holder Material	-		
Fastening	Pin, glue		
Status	Ready		


Ordering number CA13057_FLARE-MINI-AD

Family	Flare	FWHM	100+20 degrees
Type	Assembly	Efficiency	94 %
LED	XP-G	cd/lm	1.100
Color	Clear	Gerber File	Available
Diameter	16 mm		
Height	9.1 mm		
Style	Round		
Optic Material	PMMA		
Holder Material	-		
Fastening	Tape		
Status	Ready		


Ordering number CA13058_FLARE-MINI-AD-PIN

Family	Flare	FWHM	100+20 degrees
Type	Assembly	Efficiency	94 %
LED	XP-G	cd/lm	1.100
Color	Clear	Gerber File	Available
Diameter	16 mm		
Height	9.1 mm		
Style	Round		
Optic Material	PMMA		
Holder Material	-		
Fastening	Pin, tape		
Status	Ready		

Ordering number C12868_FLARE-MAXI

Family	Flare	FWHM	105+11 degrees
Type	Lens	Efficiency	94 %
LED	XP-G	cd/lm	2.500
Color	Clear	Gerber File	Available
Diameter	33.9 + 33.3 mm		
Height	16.7 mm		
Style	Rectang		
Optic Material	PMMA		
Holder Material	-		
Fastening	Pin, glue		
Status	Ready		

Ordering number CA10932
Description 1

Family	Flare	FWHM	118+15 degrees
Type	Assembly	Efficiency	93 %
LED	XP-G	cd/lm	1.000
Color	Clear	Gerber File	Available
Diameter	29 x 22.8 mm		
Height	12.84 mm		
Style	Rectang		
Optic Material	PMMA		
Holder Material	-		
Fastening	-		
Status	Ready		



PRODUCT DATASHEET
Flare series
last update 2/4/2013

NOTE: The typical divergence will be changed by different color, chip size and chip position tolerance. The typical total divergence is the full angle measured where the luminous intensity is half of the peak value.



PRODUCT DATASHEET

Flare series

last update 2/4/2013

GENERAL INFORMATION

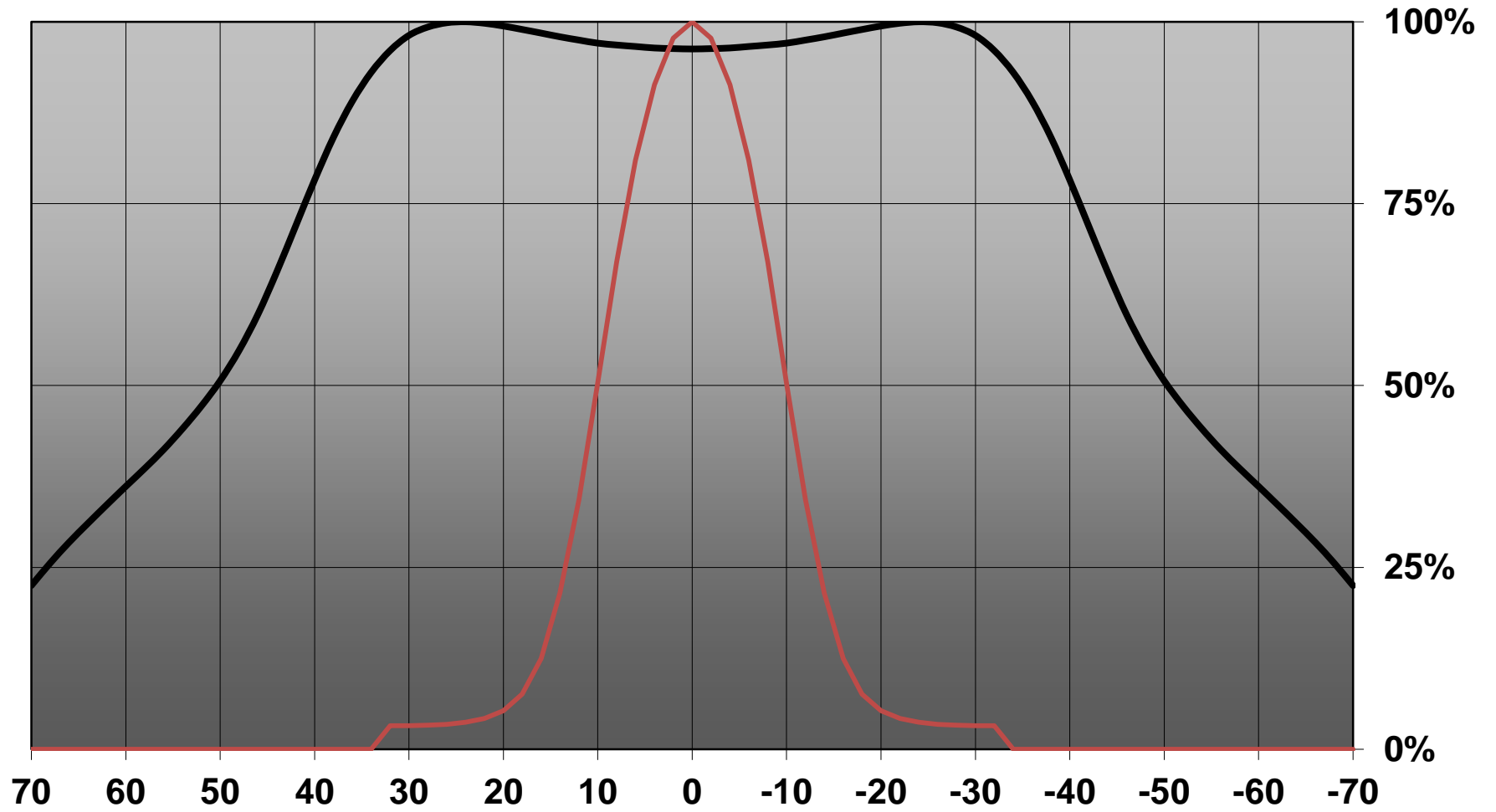
- Product series especially designed & optimized for XP-G series of LEDs.
- Special care taken to make light distribution as uniform as possible.
- Lens material optical grade PMMA with high UV and temperature resistance. Allows use of high current and temperature conditions.

Please find more information about used material from below:

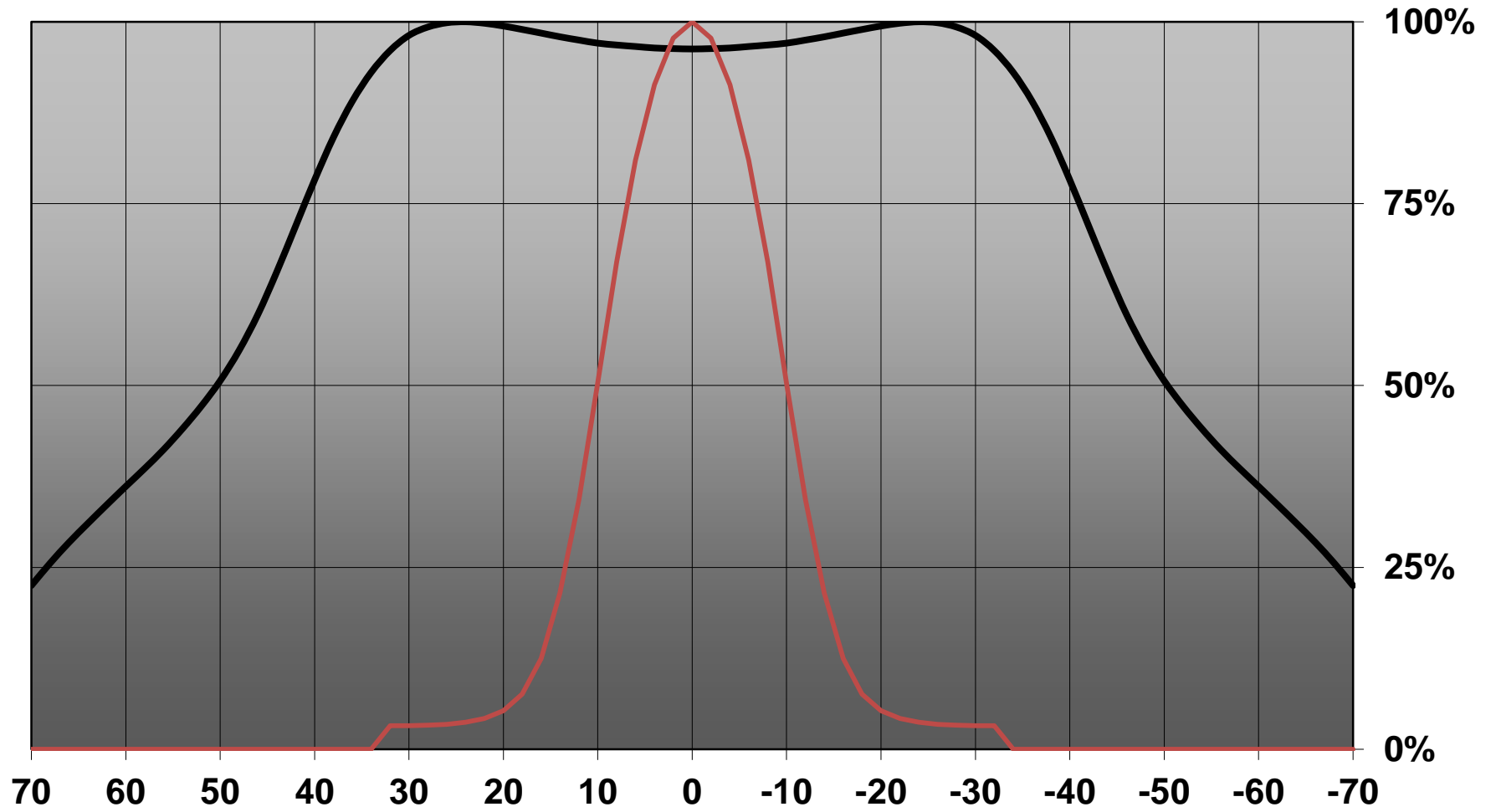
http://ledil.fi/sites/default/files/Documents/Technical/Material/PMMA%20N%20UL94_Yellow%20Card.pdf

<http://ledil.fi/sites/default/files/Documents/Technical/Material/PMMA%20N%20PLEXIGLAS-Datasheet.pdf>

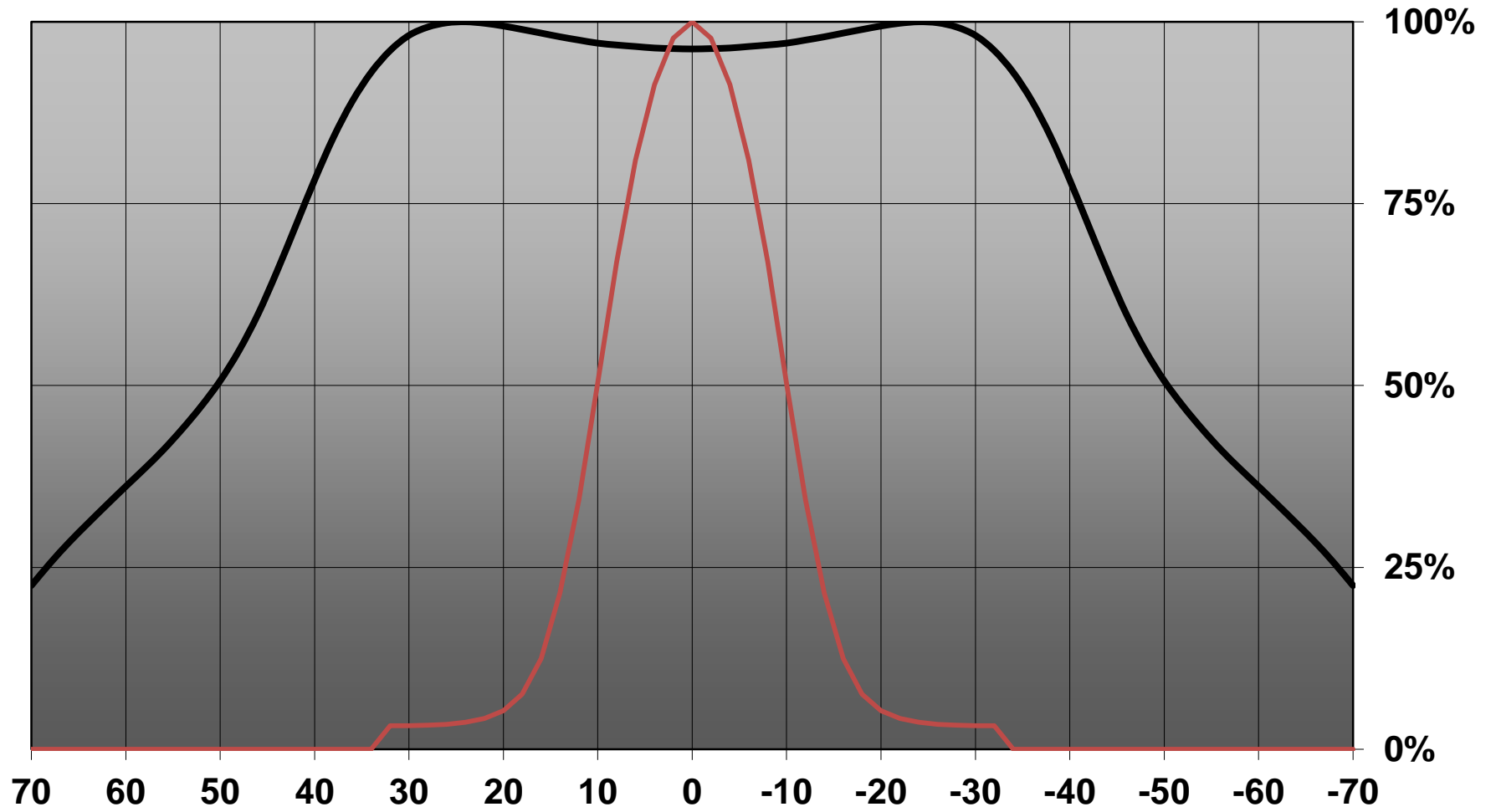
Relative intensity of CA13057&CA13058_FLARE-MINI-AD-XPG



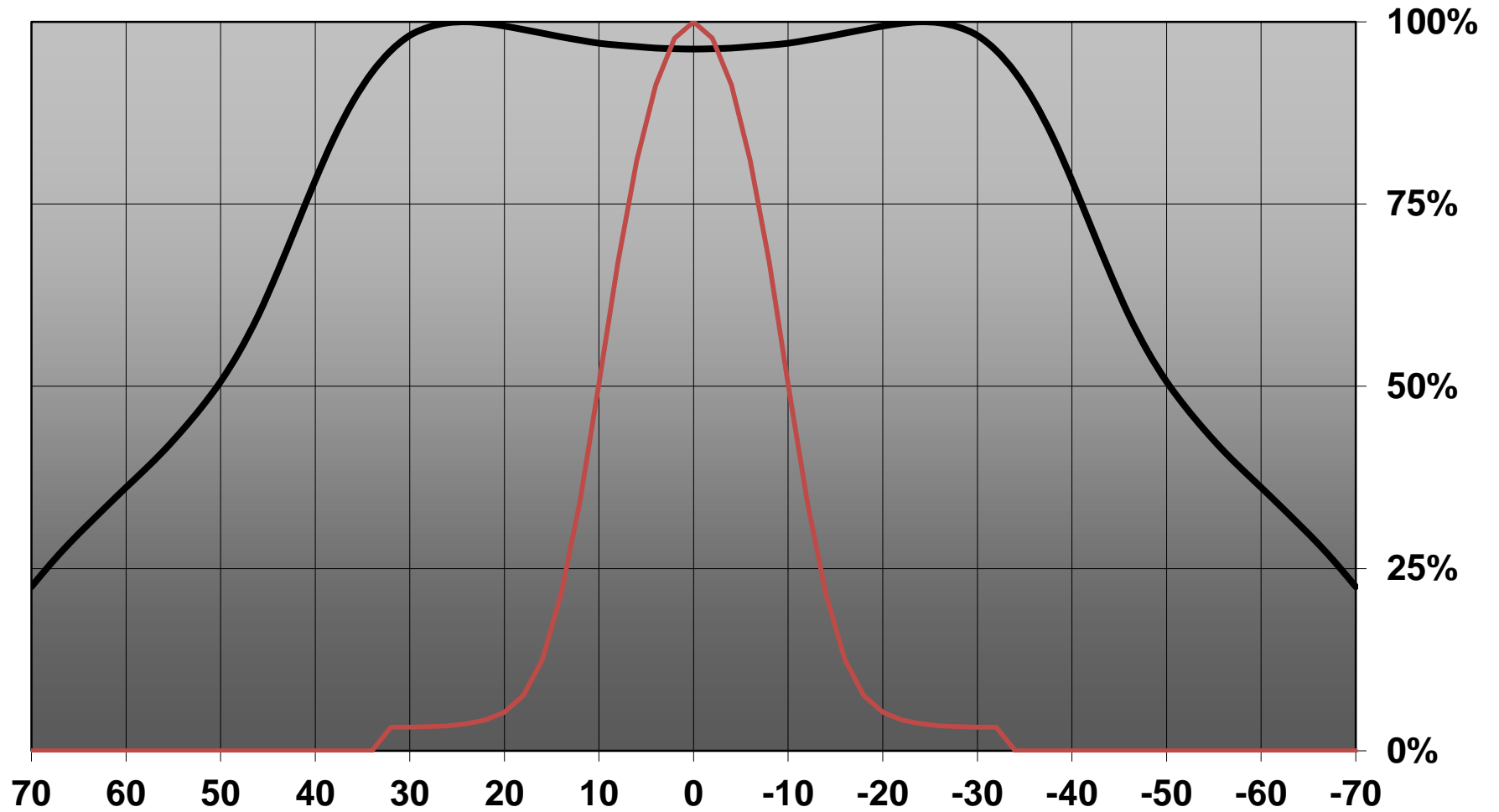
Relative intensity of CA13057&CA13058_FLARE-MINI-AD-XPG



Relative intensity of CA13057&CA13058_FLARE-MINI-AD-XPG

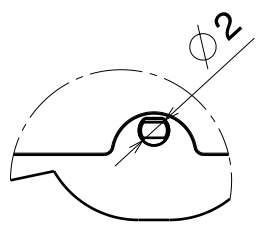


Relative intensity of CA13057&CA13058_FLARE-MINI-AD-XPG

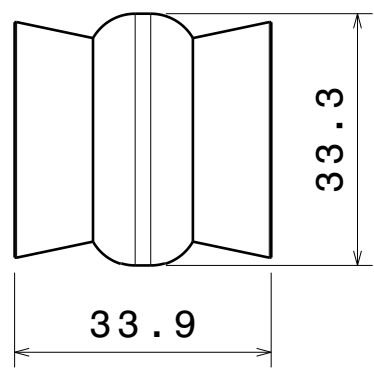
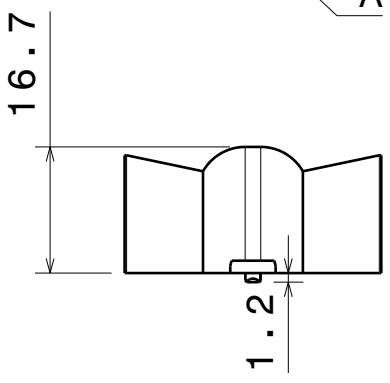
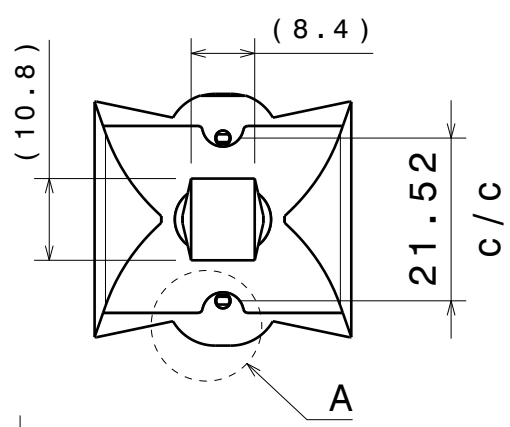


D C B A

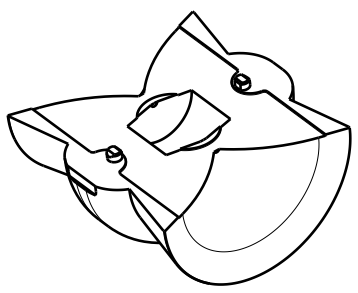
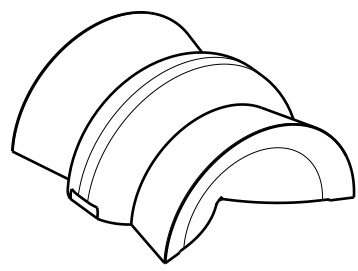
4



Detail A
Scale: 2:1



3



2

Material: PMMA

Tolerances for dimensions:
 0-20mm tolerance value $\pm 0.1\text{mm}$
 21-45mm tolerance value $\pm 0.2\text{mm}$
 46-90mm tolerance value $\pm 0.3\text{mm}$
 91-100mm tolerance value $\pm 0.4\text{mm}$
 101-mm tolerance value $\pm 0.5\text{mm}$

4

3

2

This drawing is our property.
 It can't be reproduced
 or communicated without
 our written agreement.



Ledil Oy
 Salorankatu 10
 FIN 24240 SALO
 Finland

DRAWING TITLE
 Datasheet FLARE-MAXI Lens

DRAWN BY pv	DATE 18.4.2012
CHECKED BY sn	DATE 17.4.2012
DESIGNED BY hh	DATE 6.4.2012

SIZE A4	DRAWING NUMBER	REV 1
SCALE 1:1	WEIGHT (g)	SHEET 1/1

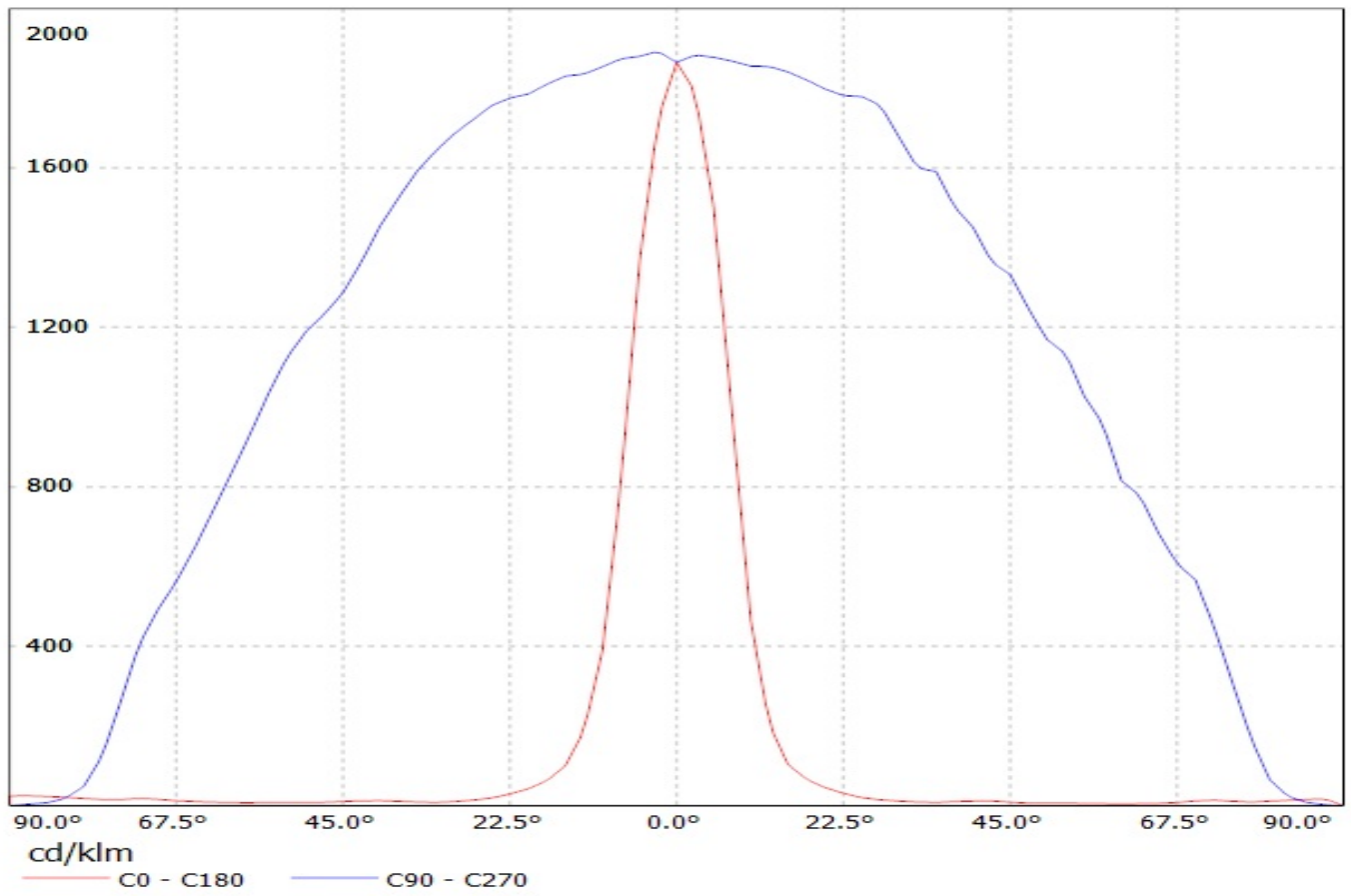
1

1

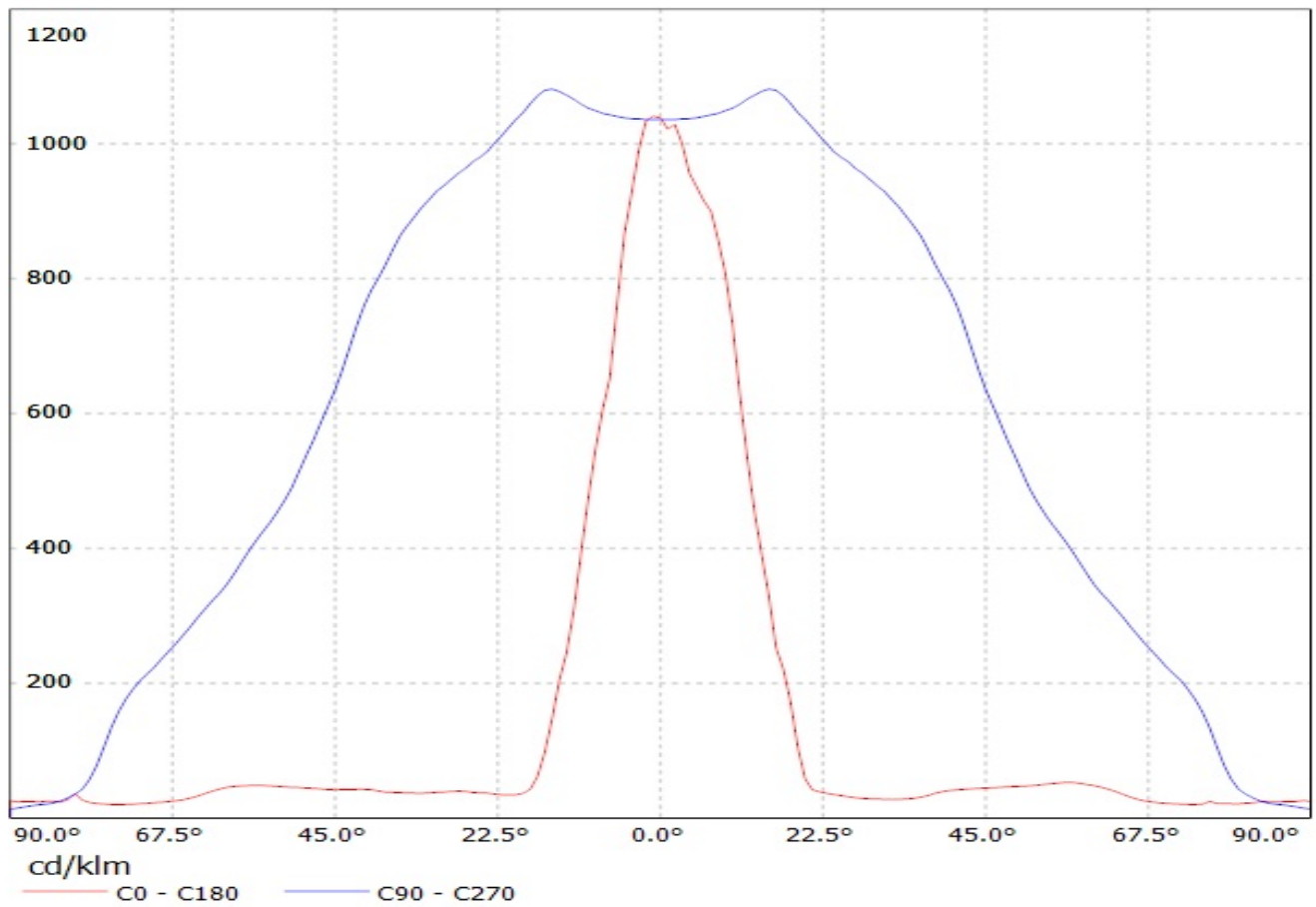
D

A

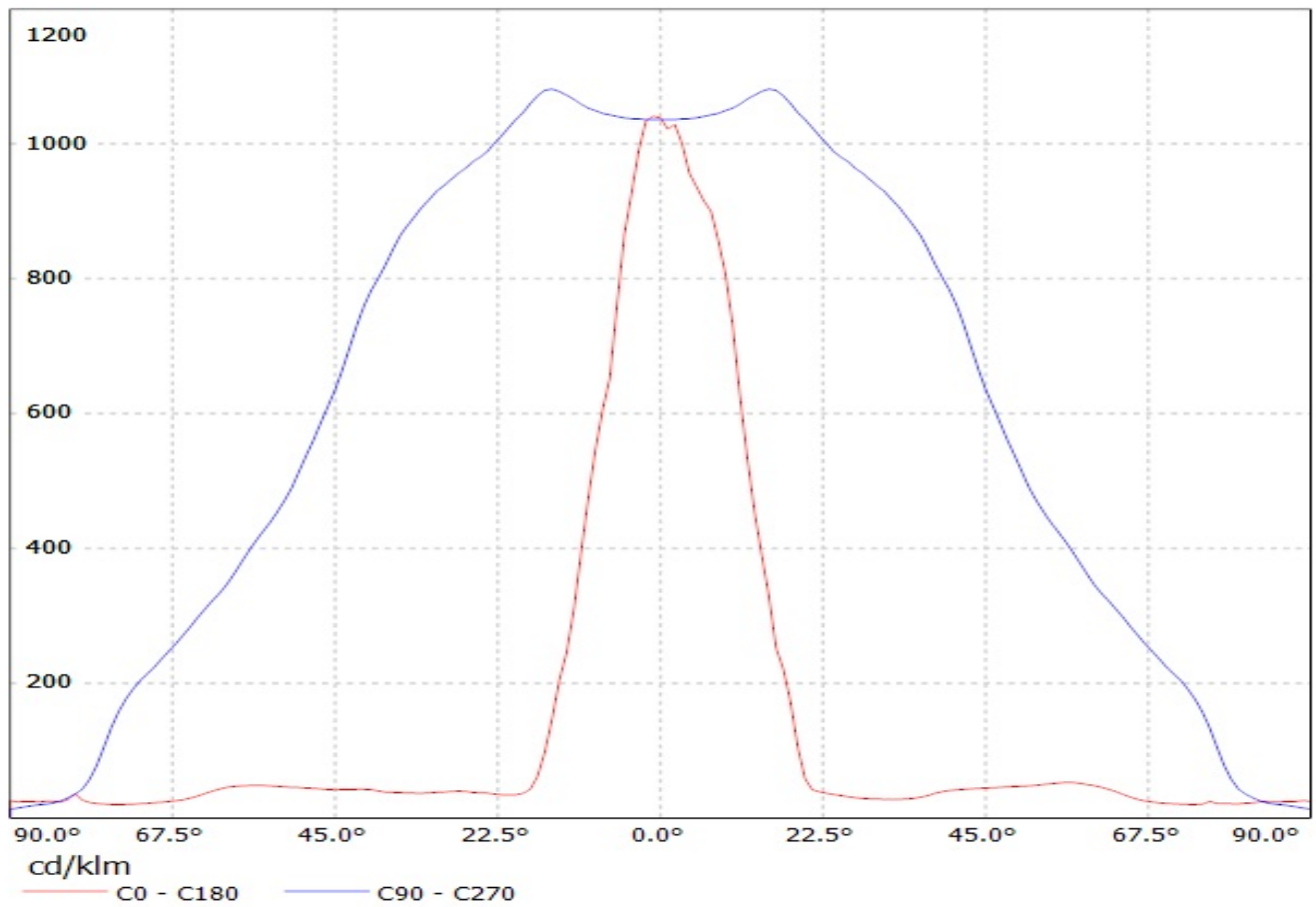
Luminaire: Ledil Oy C13012_FLARE-MAXI-D (Cree XP-G 70lm @ 250mA) Efficiency=94%
Lamps: 1 x Cree XP-G 70lm @ 250mA



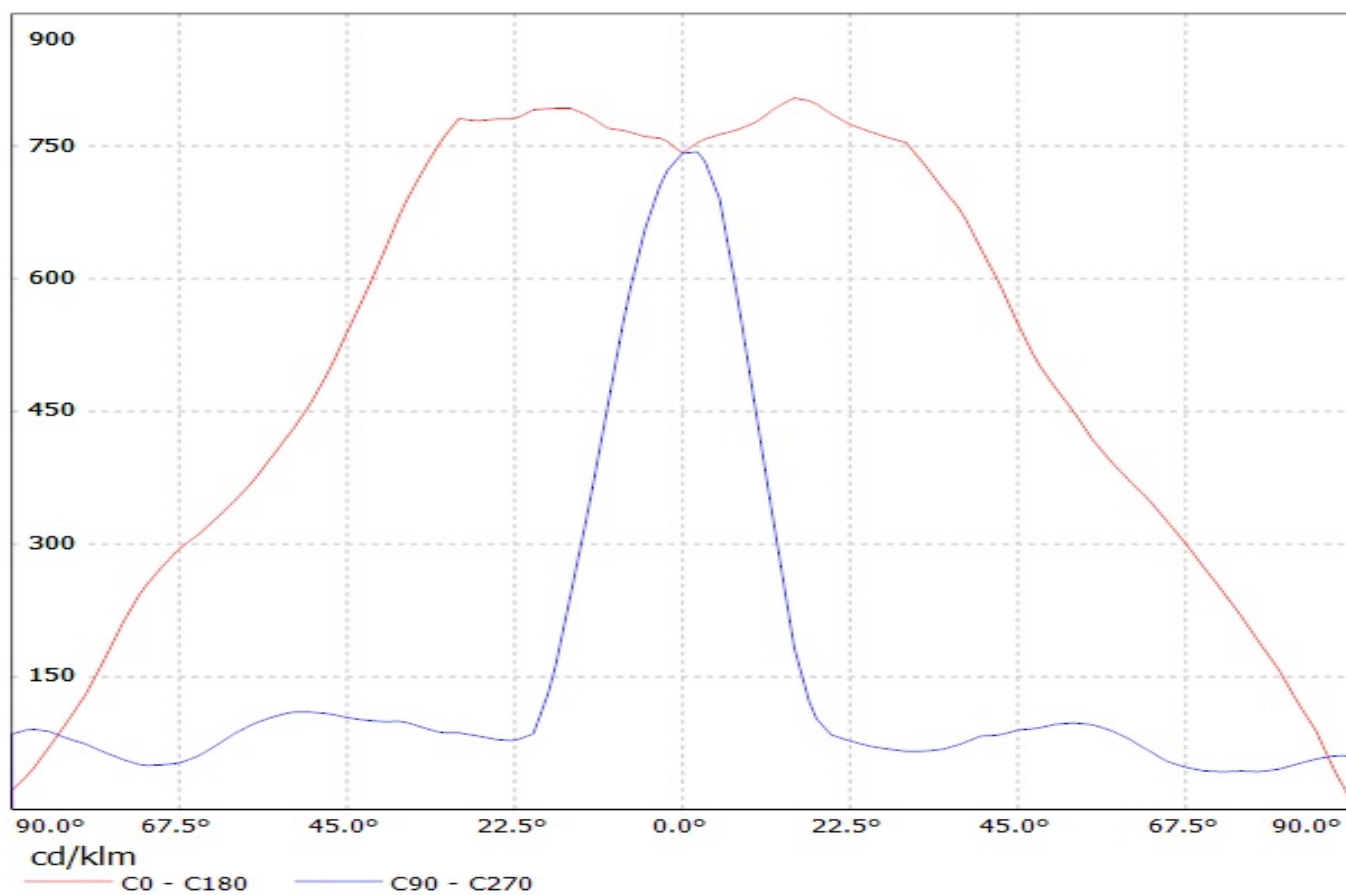
Luminaire: LEDIL OY C12763 & C12837 FLARE-MINI-A (XP-G) Efficiency=95%
Lamps: 1 x Cree XP-G (92lm@250mA)



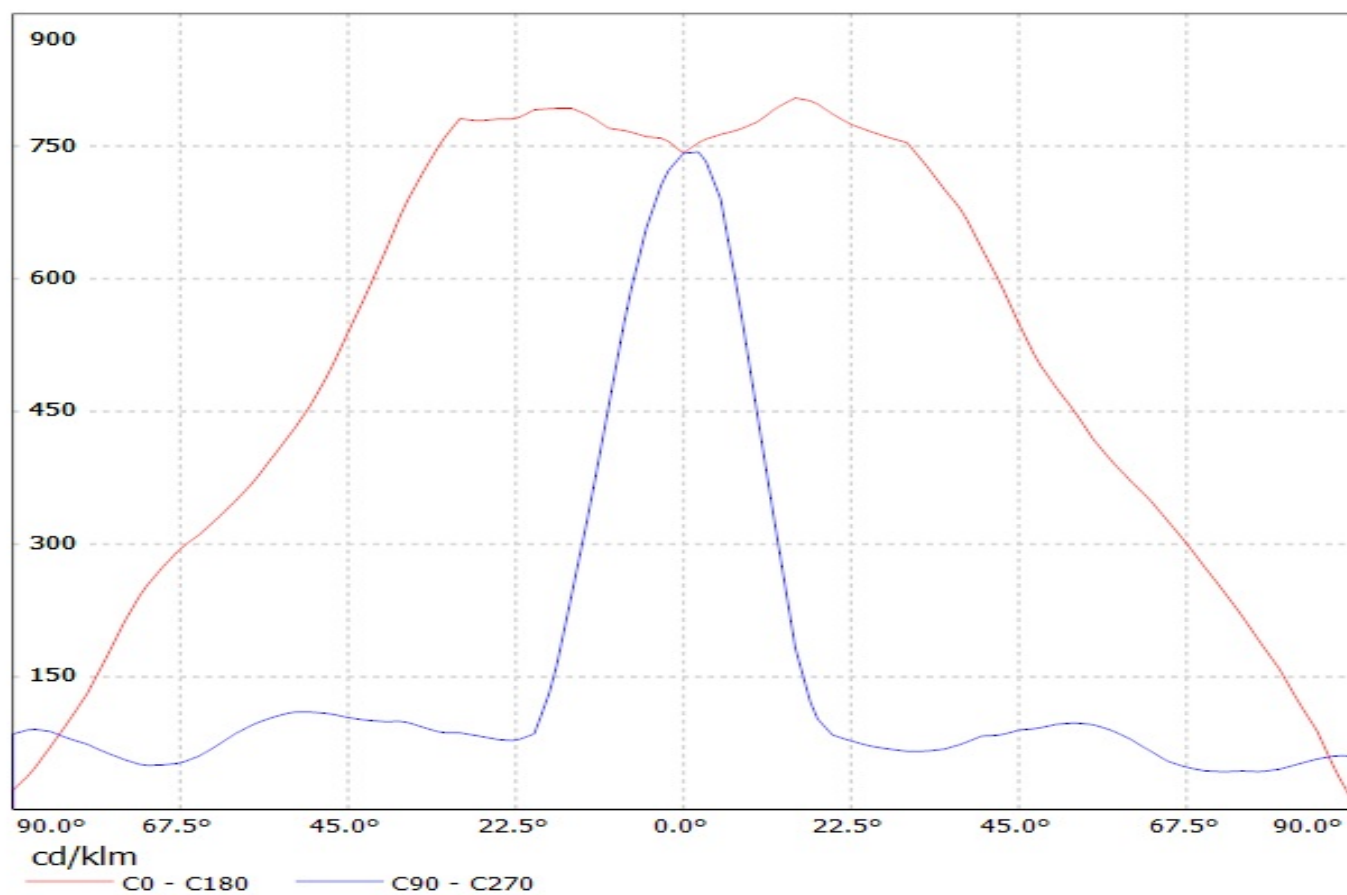
Luminaire: LEDIL OY C12763 & C12837 FLARE-MINI-A (XP-G) Efficiency=95%
Lamps: 1 x Cree XP-G (92lm@250mA)



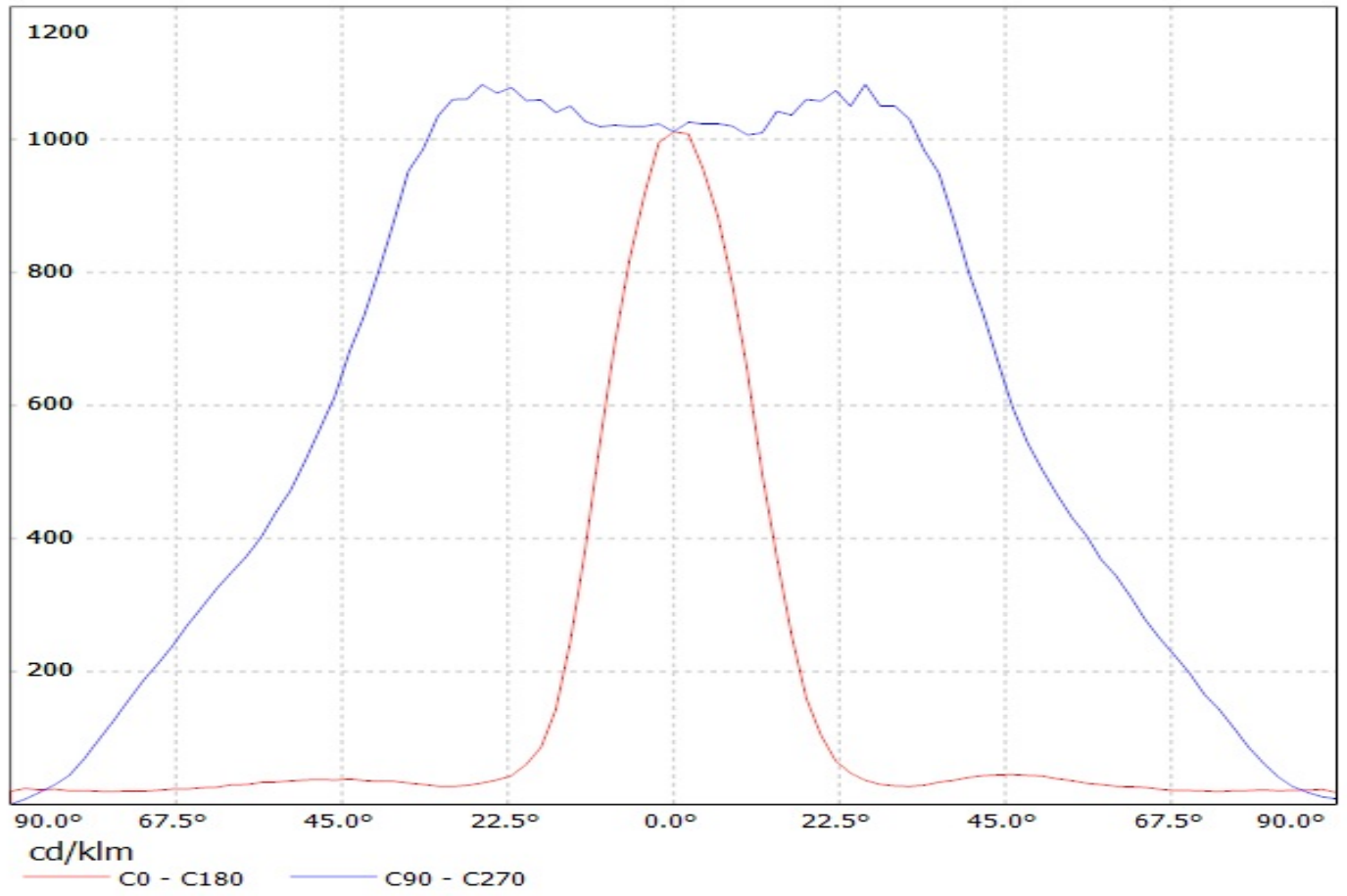
Luminaire: Ledil Oy CA12764&CA12838_FLARE-MINI-A (Cree XP-G 87lm @ 250mA) Efficiency=94%
Lamps: 1 x Cree XP-G 87lm @ 250mA



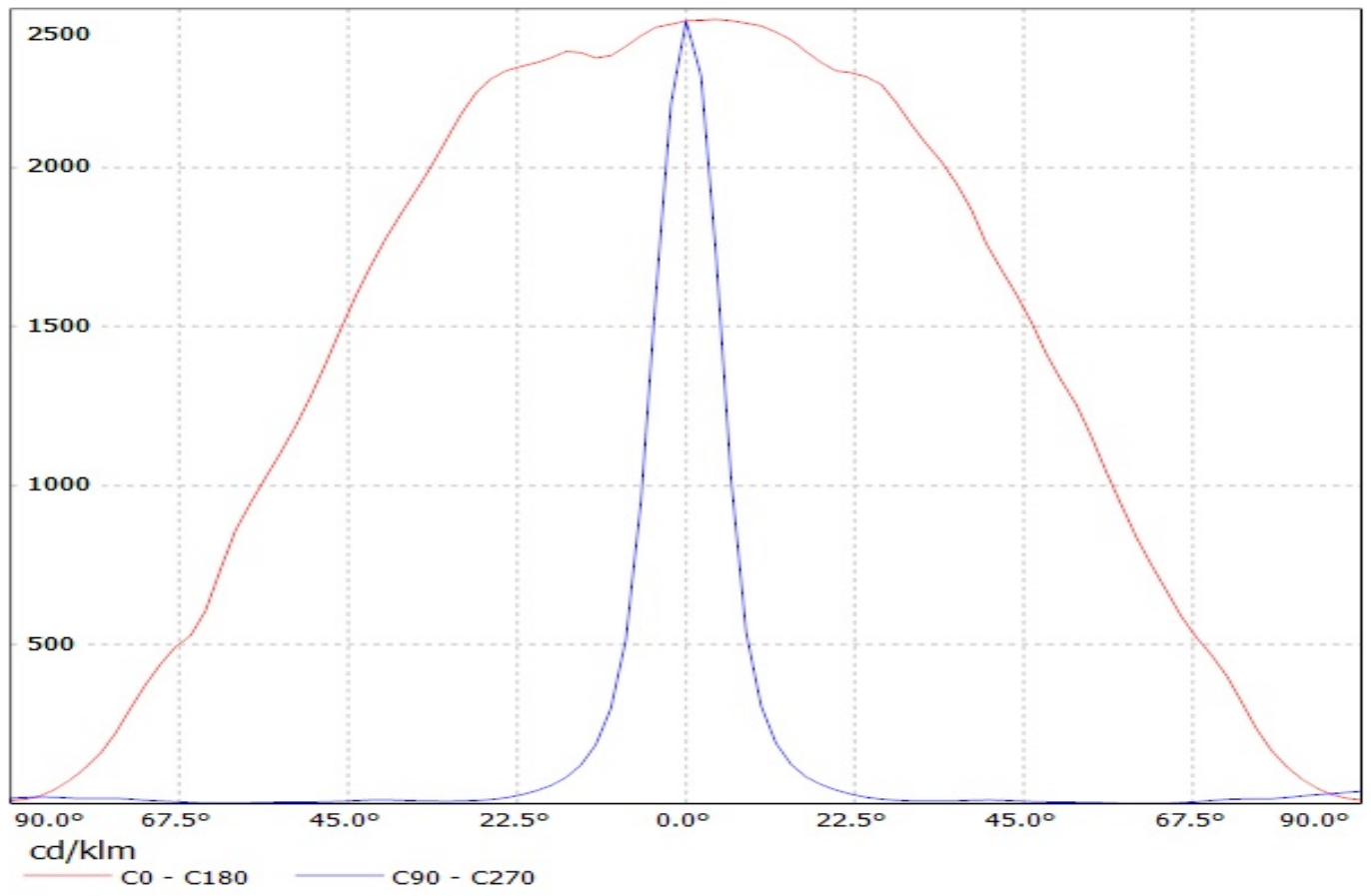
Luminaire: Ledil Oy CA12764&CA12838_FLARE-MINI-A (Cree XP-G 87lm @ 250mA) Efficiency=94%
Lamps: 1 x Cree XP-G 87lm @ 250mA



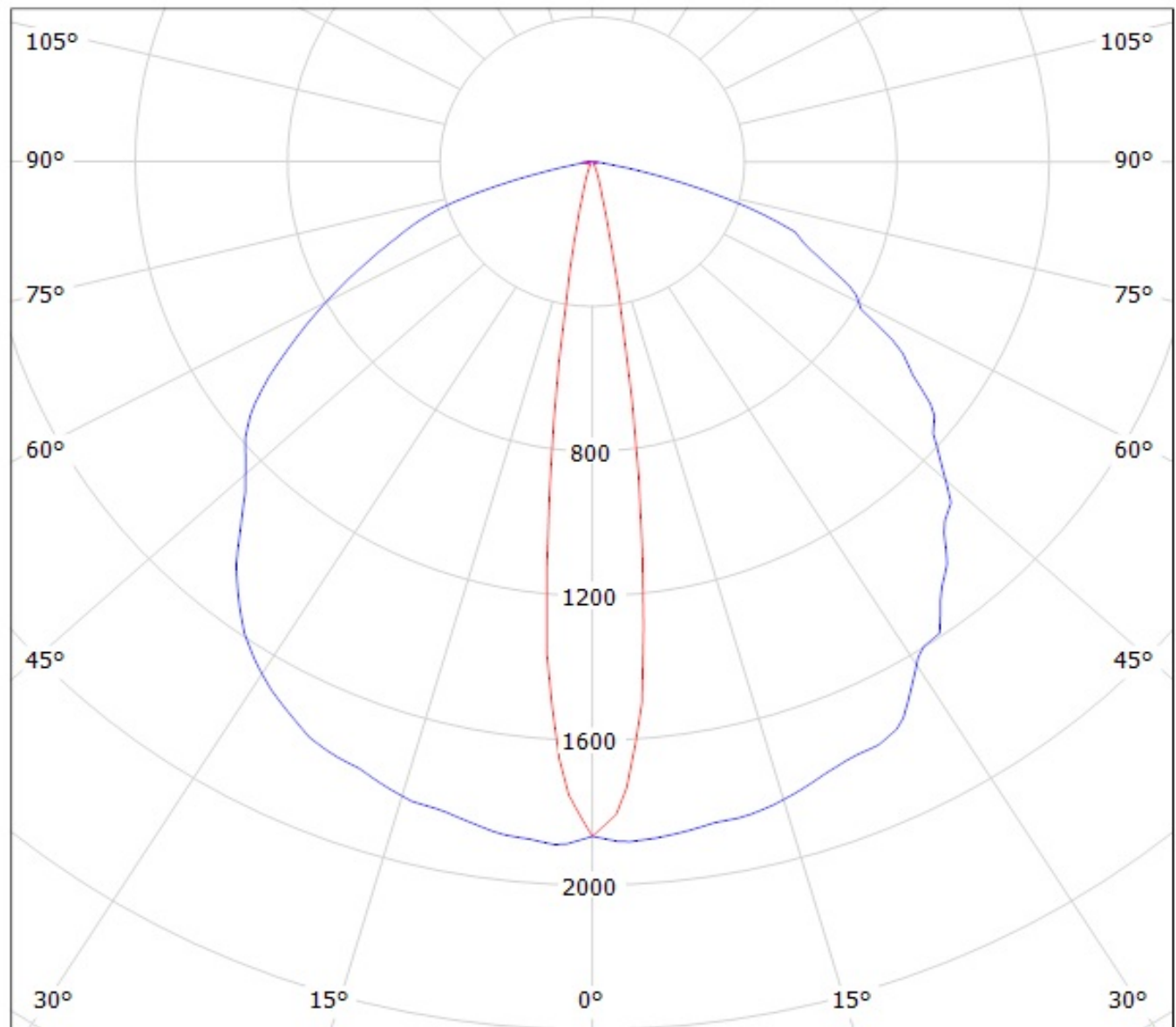
Luminaire: Ledil Oy C13016_FLARE-MINI-AD (Cree XP-G 68lm @ 250mA) Efficiency=93%
Lamps: 1 x Cree XP-G 68lm @ 250mA



Luminaire: Ledil Oy C12868_FLARE-MAXI (Cree XP-G 71lm @ 250mA) Efficiency=94%
Lamps: 1 x Cree XP-G 71lm @ 250mA



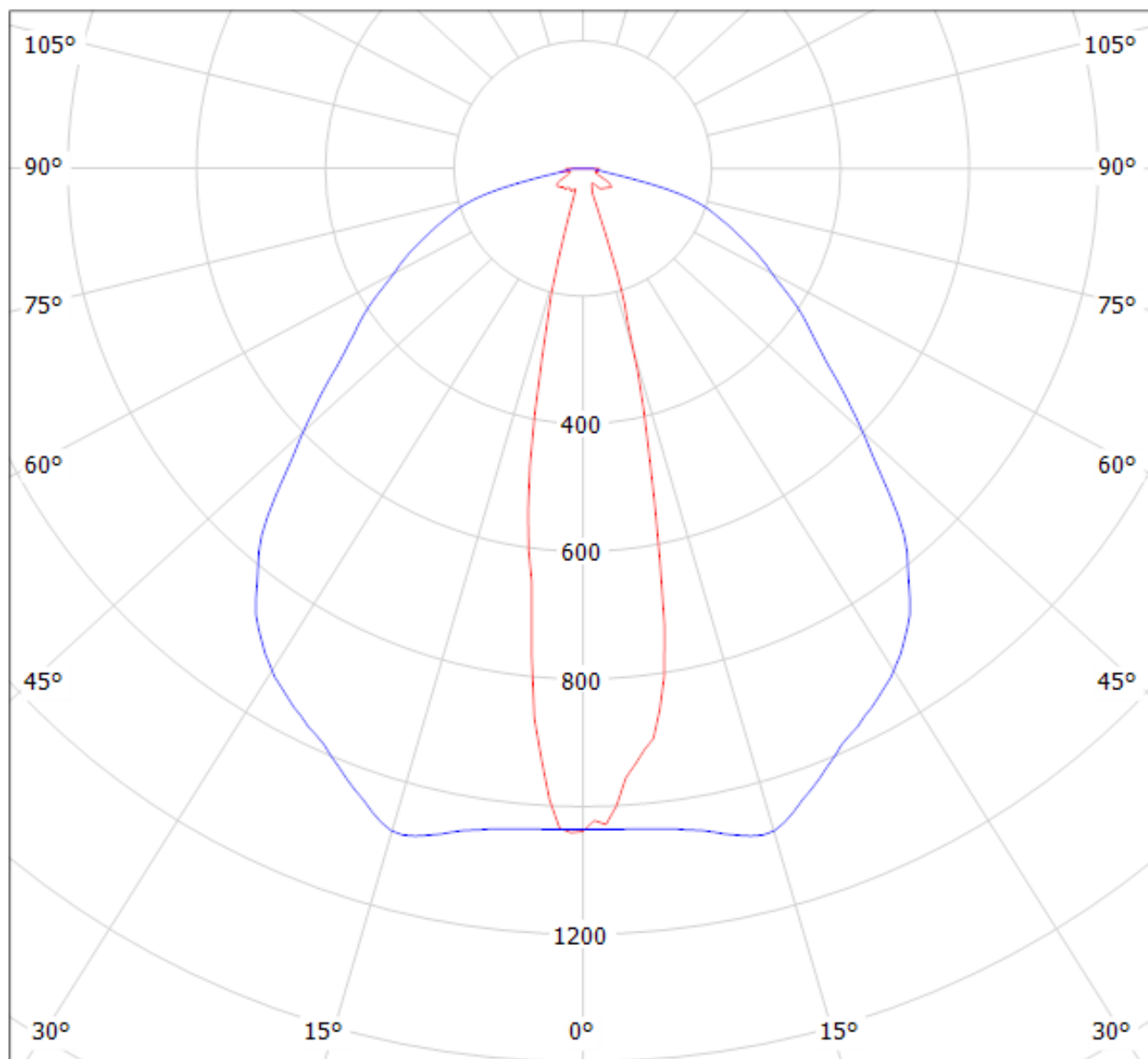
Luminaire: Ledil Oy C13012_FLARE-MAXI-D (Cree XP-G 70lm @ 250mA) Efficiency=94%
Lamps: 1 x Cree XP-G 70lm @ 250mA



cd/klm

— C0 - C180 — C90 - C270

Luminaire: LEDIL OY C12763 & C12837 FLARE-MINI-A (XP-G) Efficiency=95%
Lamps: 1 x Cree XP-G (92lm@250mA)

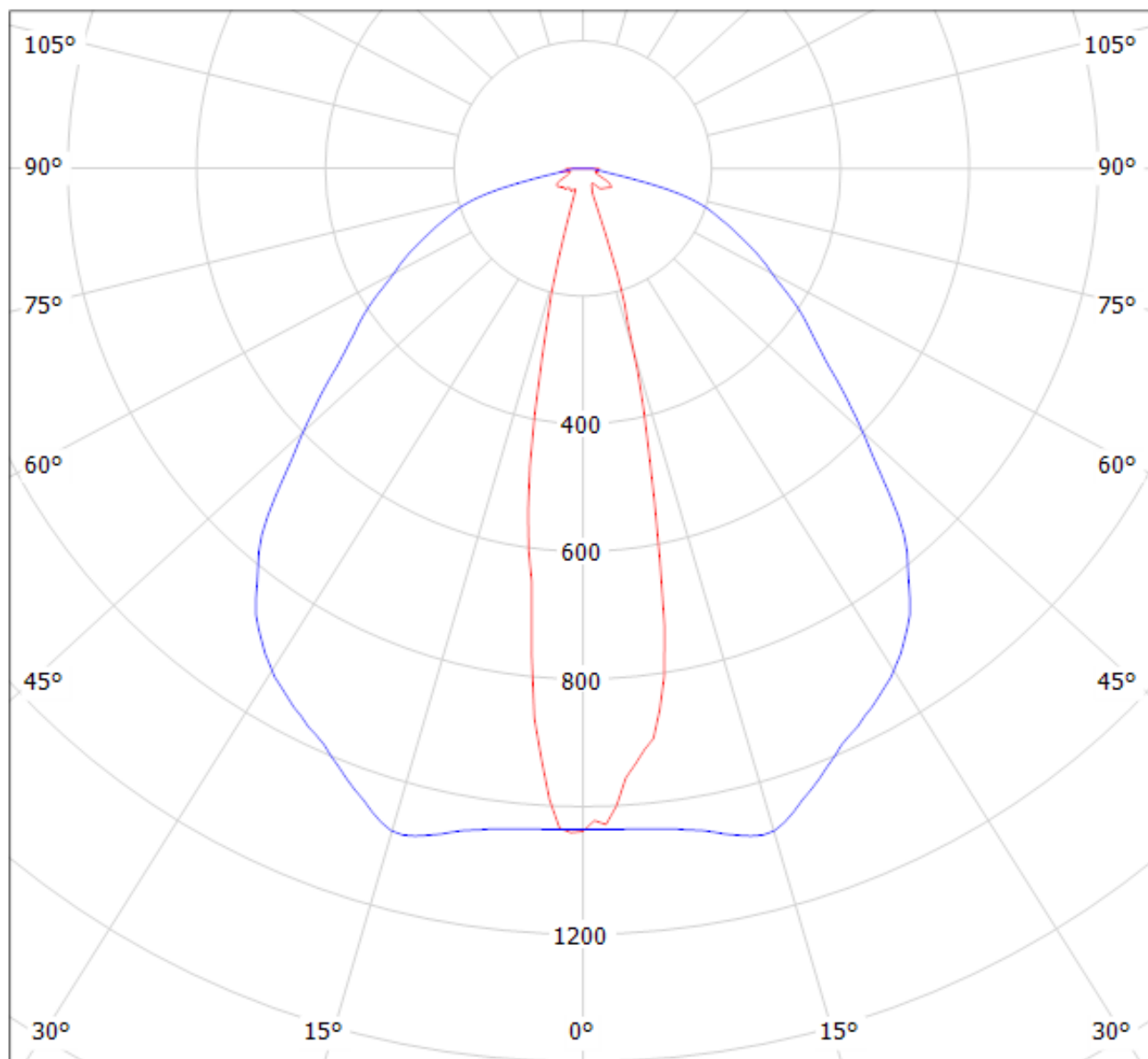


cd/klm

— C0 - C180

— C90 - C270

Luminaire: LEDIL OY C12763 & C12837 FLARE-MINI-A (XP-G) Efficiency=95%
Lamps: 1 x Cree XP-G (92lm@250mA)

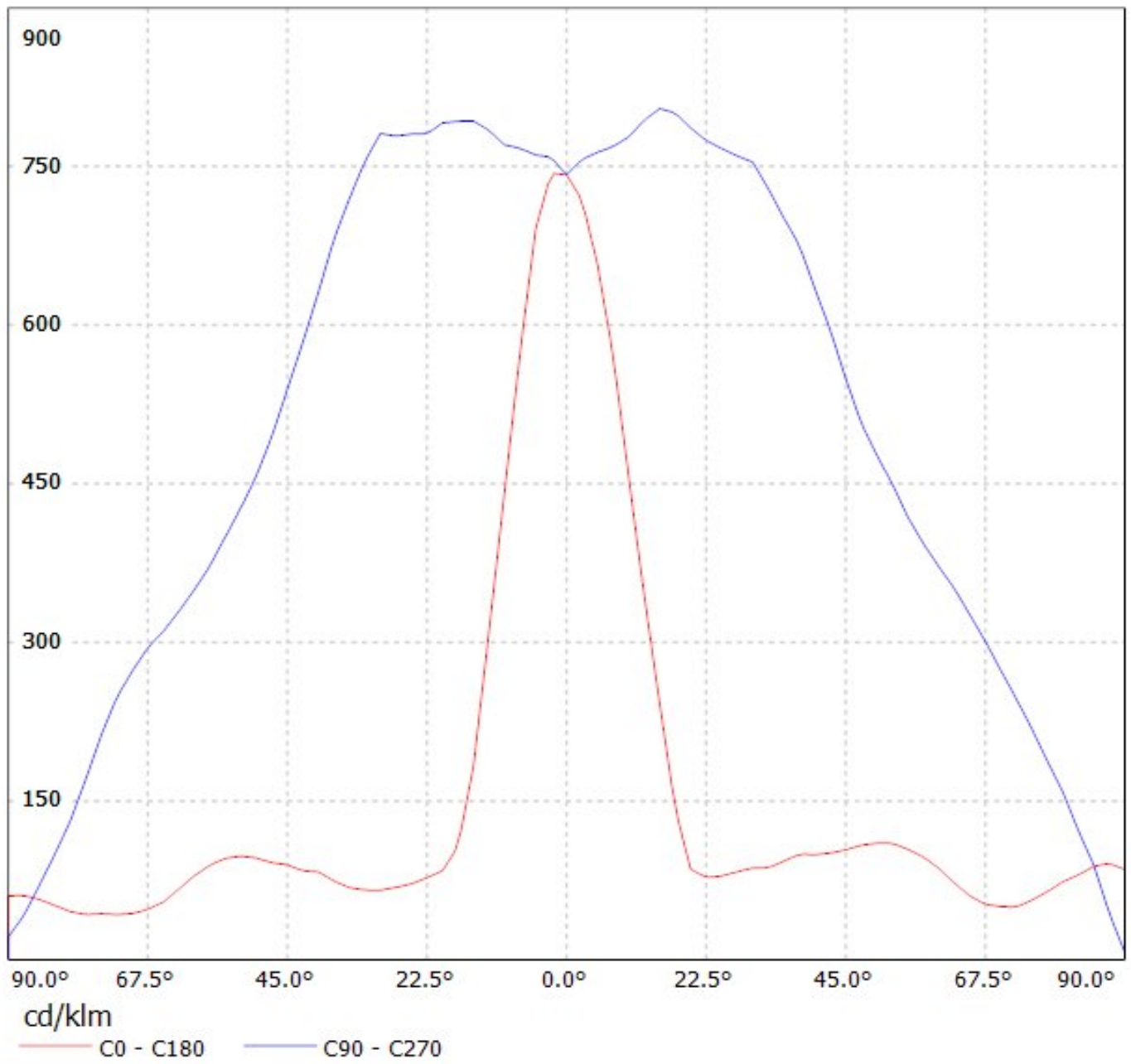


cd/klm

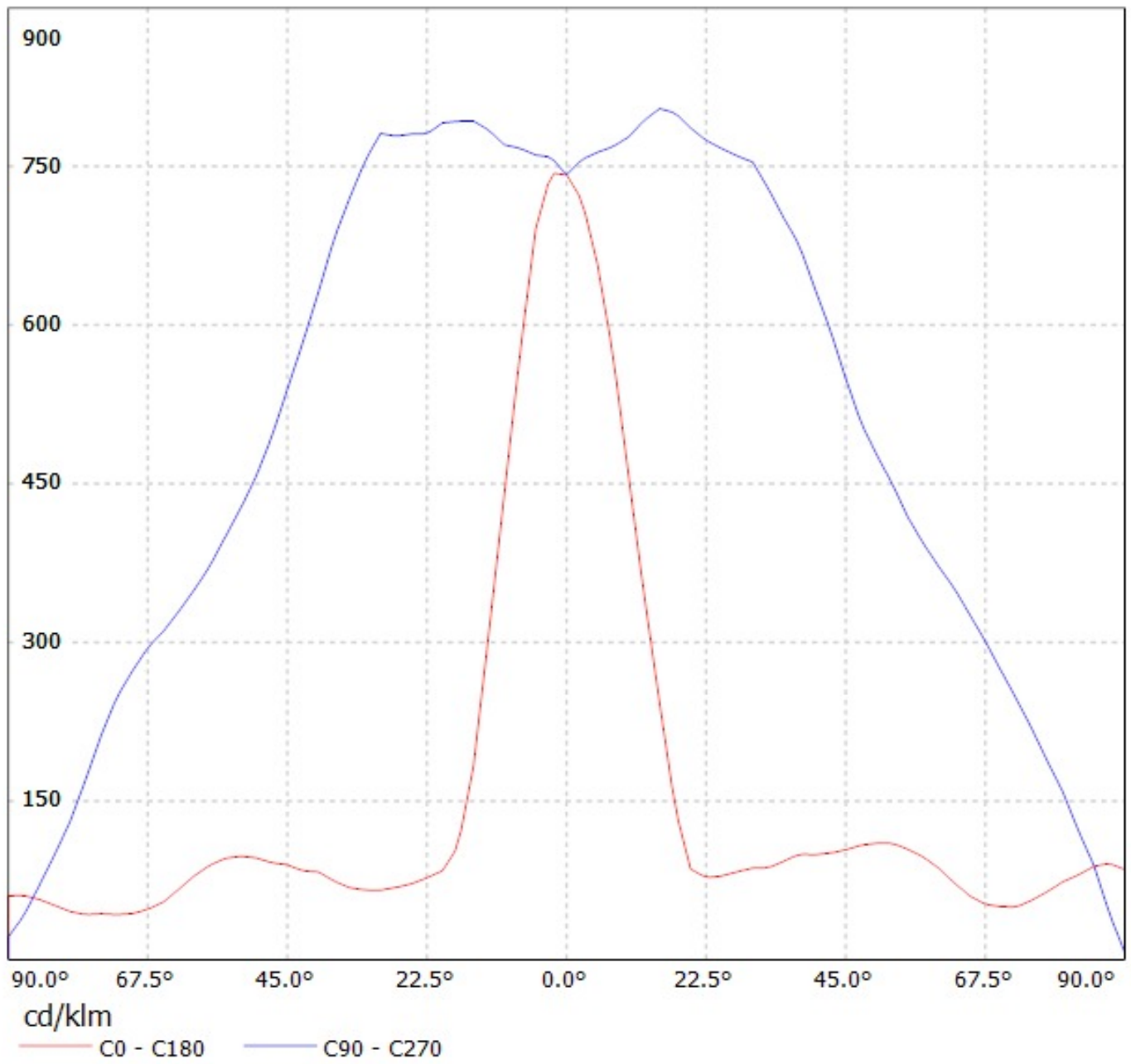
— C0 - C180

— C90 - C270

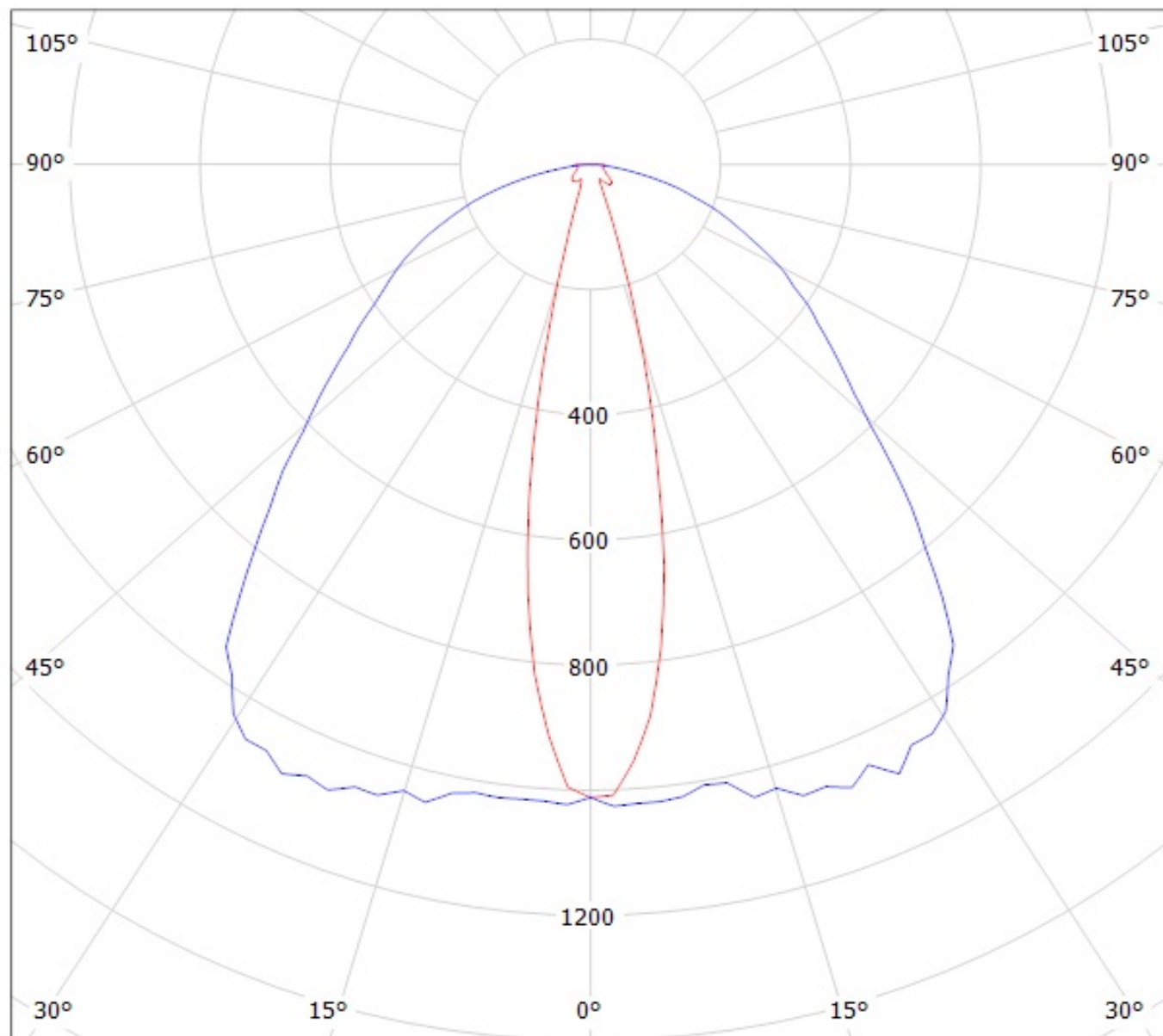
Luminaire: Ledil Oy CA12764&CA12838_FLARE-MINI-A (Cree XP-G 87lm @ 250mA) Efficiency=94%
Lamps: 1 x Cree XP-G 87lm @ 250mA



Luminaire: Ledil Oy CA12764&CA12838_FLARE-MINI-A (Cree XP-G 87lm @ 250mA) Efficiency=94%
Lamps: 1 x Cree XP-G 87lm @ 250mA



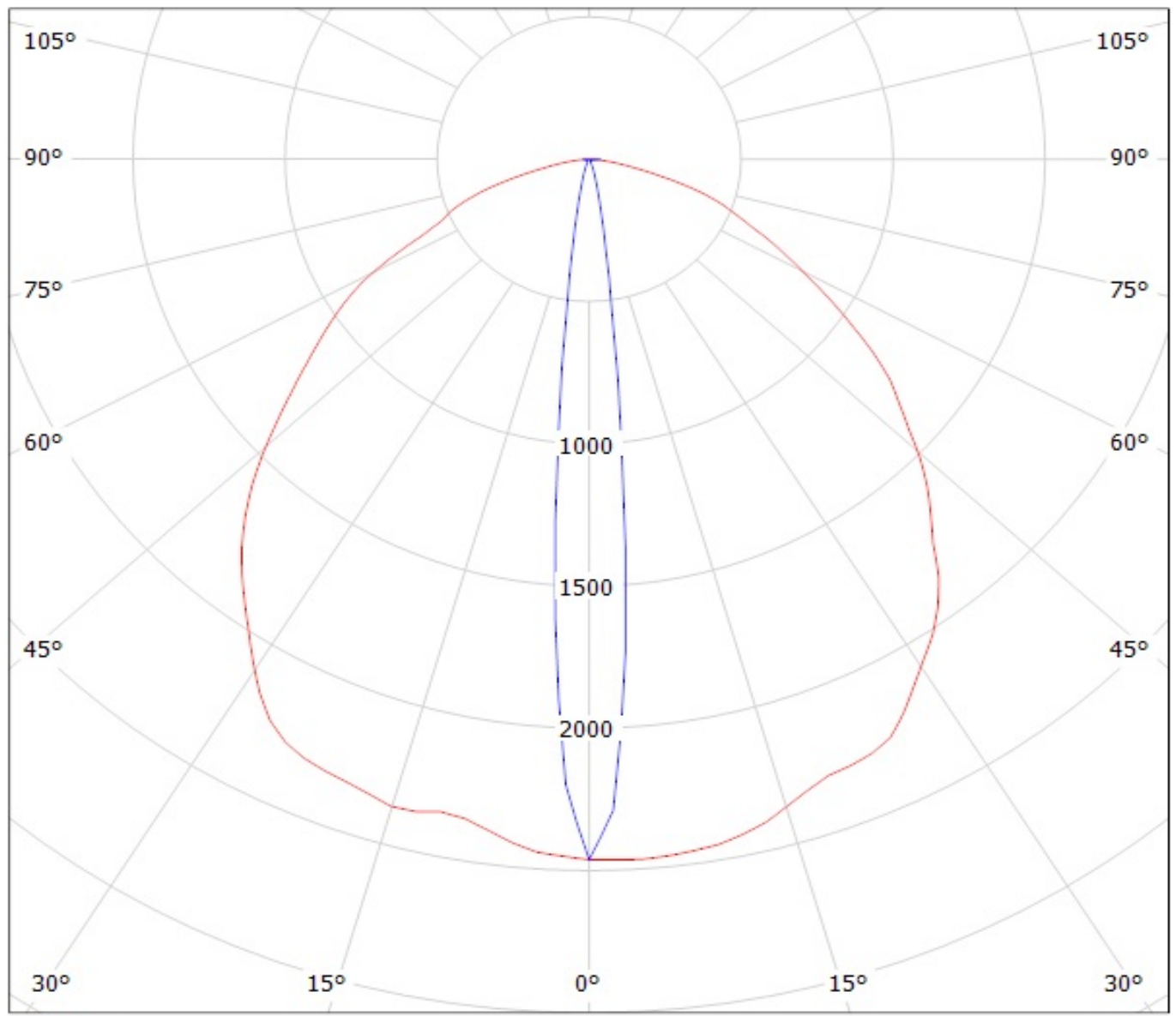
Luminaire: Ledil Oy C13016_FLARE-MINI-AD (Cree XP-G 68lm @ 250mA) Efficiency=93%
Lamps: 1 x Cree XP-G 68lm @ 250mA



cd/klm

— C0 - C180 — C90 - C270

Luminaire: Ledil Oy C12868_FLARE-MAXI (Cree XP-G 71lm @ 250mA) Efficiency=94%
Lamps: 1 x Cree XP-G 71lm @ 250mA



cd/klm

— C0 - C180

— C90 - C270