

Datasheet

Anti Surge T LBC Fuse, 5A, 5x20mm

RS Stock number [563-532](#)



Specifications:

Materials

Glass body/nickel plated brass caps

Lead wire: Tin-lead plated copper, Diameter $\varnothing 0.8\text{mm}$.

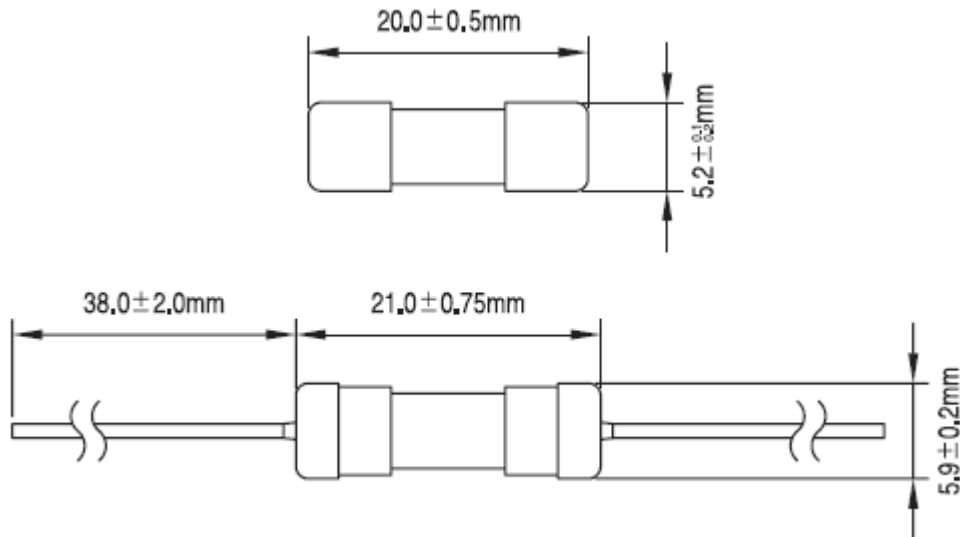
Interrupting Ratings

35 amperes or 10 in rated current; whichever is greater.

Operating Temperature

-55°C to + 125°C

Drawing (mm):



Electrical Characteristic:

| Rated Current | 1.5In | | 2.1In | | 2.75 In | | 4 In | | 10 In | |
|---------------|-----------|----------|-----------|-----------|-----------|----------|----------|-----------|-------|-----|
| | MIN | MAX | MIN | MAX | MIN | MAX | MIN | MAX | MIN | MAX |
| 63mA~100mA | 60 min | 2 min | 200 ms | 10 sec | 40 ms | 3 sec | 10 ms | 300 ms | | |
| 125mA~6.3A | 60 min | 2 min | 600 ms | 10 sec | 150 ms | 3 sec | 20 ms | 300 ms | | |
| 8A~10A | 30 min | 2 min | 600 ms | 10 sec | 150 ms | 3 sec | 20 ms | 300 ms | | |