

RGB18 is a 5-24V RGB controller, with 3x 3A output channels; designed to manage the colour changing of RGB tapes and includes an IR remote control. Suitable for domestic, commercial and retail internal lighting applications.

- Designed for RGB LED colour changing
- Adjustable 256 grey scale for smooth change of colour
- Independent control of RGB channels for full colour control
- Equipped with IR remote controller
- Built-in mode functions and adjustable brightness & speed
- Easy installation via quick connect terminals

Applications

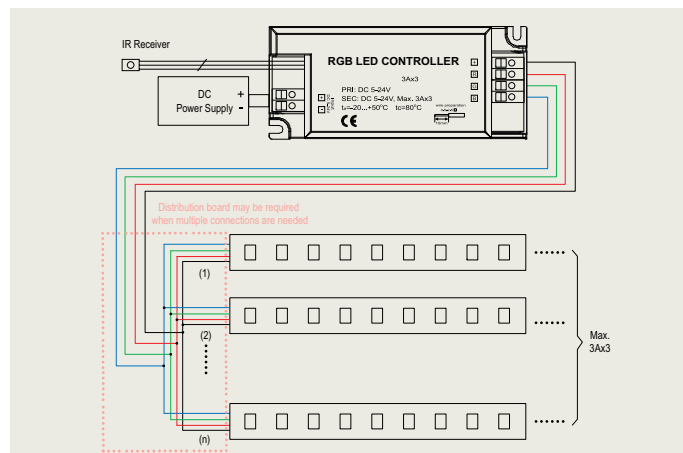
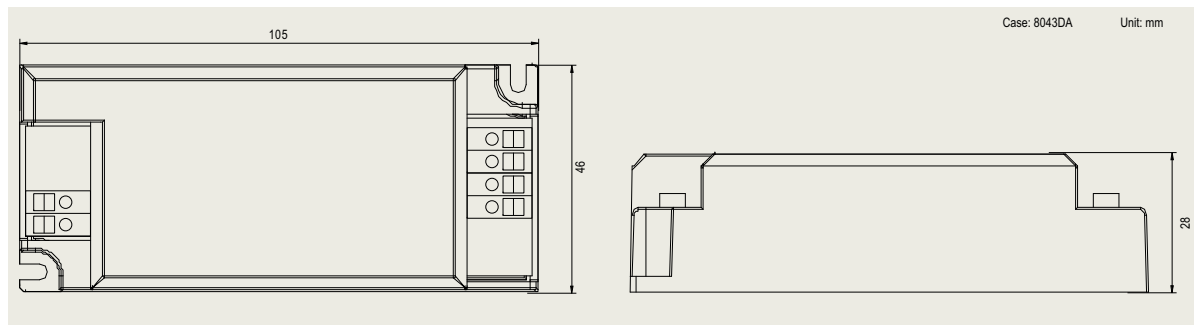
- Accent Lighting
- Mood Lighting
- Cove Lighting
- Under Cabinet Lighting
- Decorative Lighting
- Display Cabinet Lighting



RGB LED Controller with IR Remote Keypad

★ Controller Specification

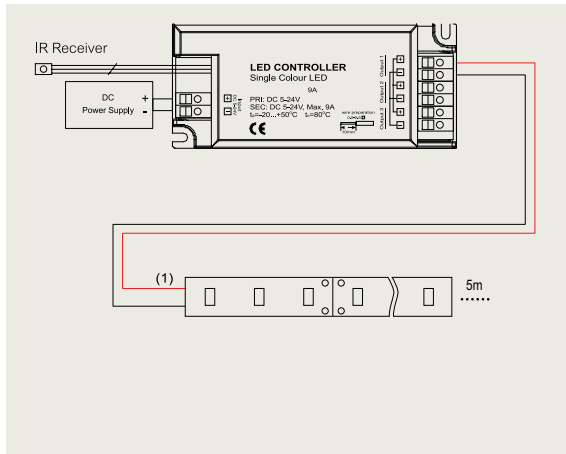
Part Number	RGB18
Input/Output	5-24V
Output Current	3A max @ 24V, per channel
Output Channels	3
Operating Temperature	-20°C to +50°C
Dimensions	105 x 46 x 28mm (Case No: 8043DA)
Fixing Centre	97mm
Weight	80g



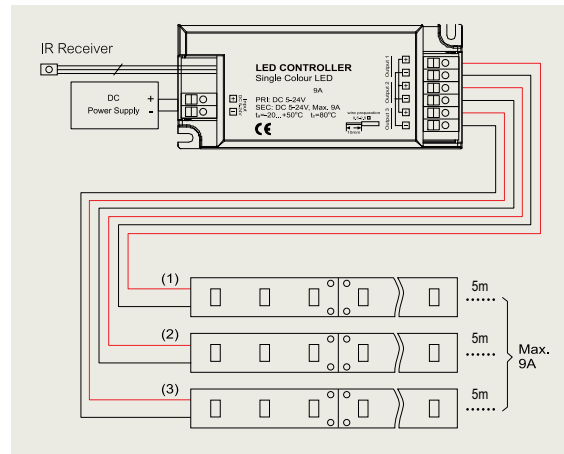
Representative colours of LED strips may change; purchase from the same batch code for colour consistency

★ Controller Application examples

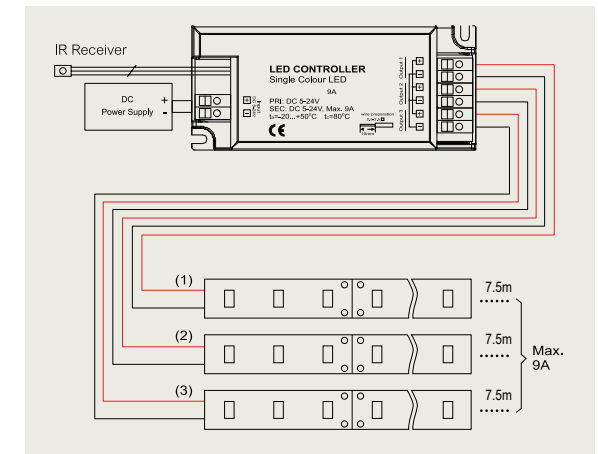
Application one: 12V LED strip
PCV1230 can run the following; 1 x 0~5m or 3 x 0~2m



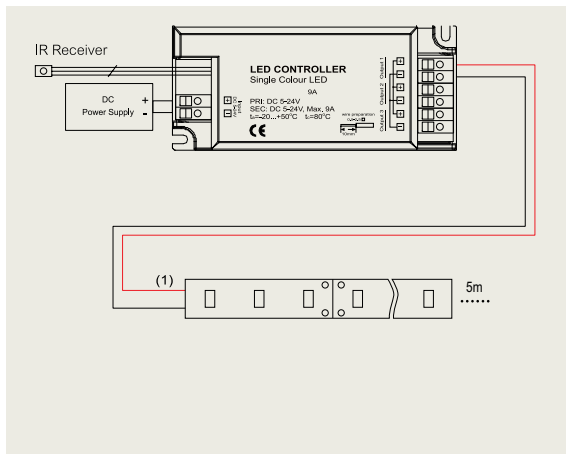
Application two: 12V LED strip
PCV12100E can run the following; 3 x 0~5m



Application three: 12V LED strip
PCV12150E can run the following; 3 x 0~7.5m



Application four: 24V LED strip
PCV24100E can run the following; 1 x 0~5m or 3 x 0~2m or 2 x 0~3m



Application five: 24V LED strip
HLG-240/PCV24240E can run the following; 3 x 0~5m

