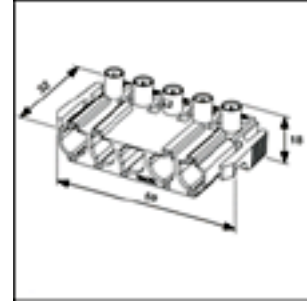


**5-pole plug without strain-relief**

For flexible and rigid wires. In connection with flexible wires use of ferrules is recommended.

Wire cross-section: 0.75-2.5 mm<sup>2</sup>.



EAN	Art.No	Description	Colour	Pole markings
6418677109089	NAC 51.W	Plug	White	1,2,PE,N,3