



ENGLISH

## Datasheet

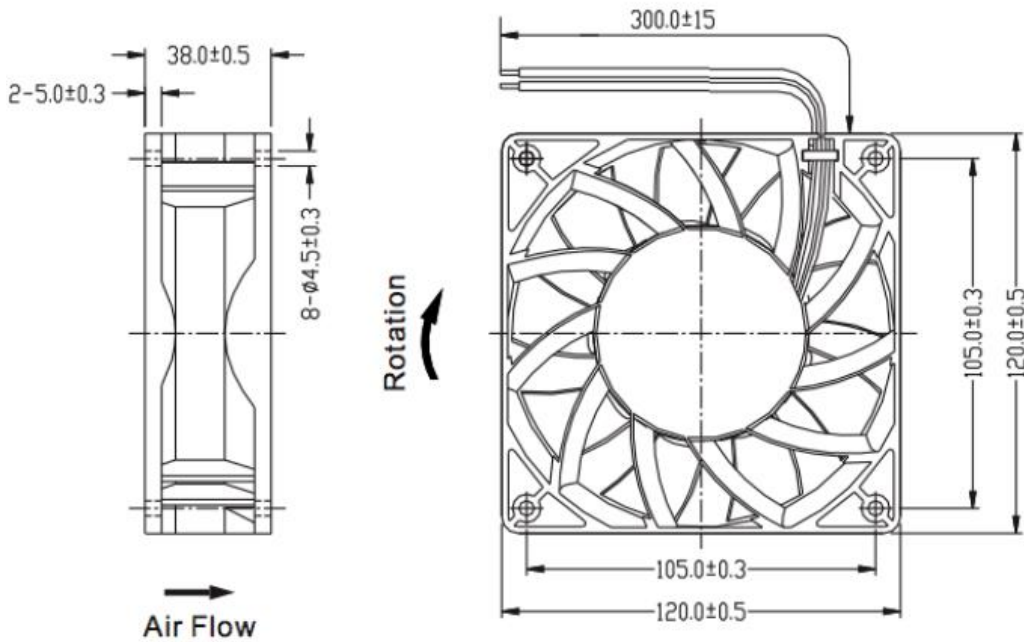
# DC Axial Fan, 120 x 120 x 38mm, 384.2m/h, 24 V dc (OD1238 Series)

RS Stock number [703-3464](#)



RS Order Number	7033464
Model Number	OD1238-24HB-VXC
Nominal Voltage (VDC)	24
Nominal Current (A)	1.7
Voltage Range (VDC)	12 ~ 28
Rated Speed (RPM)	5000
Airflow (CFM)	226
Noise Level (dB)	65
Max. Static Pressure	1.35 "H2O

**Drawing(mm):**



**Specifications:**

Frame & Impeller:	PBT, UL94V-O plastic
Connection:	2x Lead wires 24AWG
Motor:	Brushless DC, auto restart, polarity protected
Bearing System:	Dual ball bearing
Insulation Resistance:	10M ohm between leadwire and frame (500 VDC)
Dielectric Strength:	1 second at 500 VAC, max leakage – 500 MicroAmp
Temperature Range:	-10 ~ +70
Life (L10):	65, 000hours (45C)

**Available Options:**

- Tachometer (frequency generator)
- Alarm (rotation detector)
- Thermistor (thermal speed control) Lead or hub mounted