

Product Information



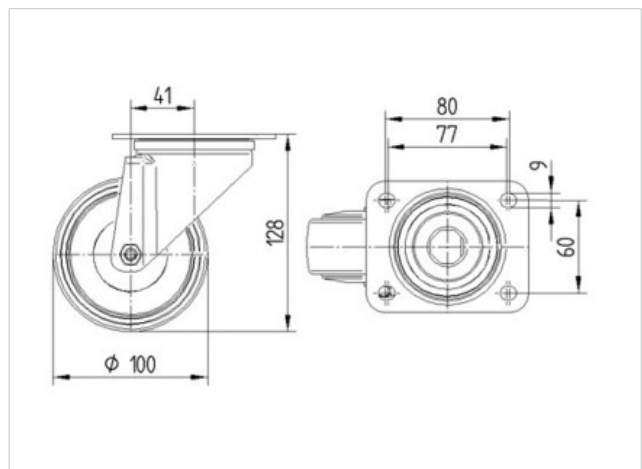
8470BOG100P62

EAN 4031582346688

Swivel castor, housing made of Stainless Steel, double ball bearing swivel head, wheel axle with nut, plate fitting.

Wheel made of heat resisting synthetic material, self-lubricating bushing

Technical Data	
Wheel diameter	100 mm
Width of Tread	35 mm
Size of Plate	105 x 85 mm
Plate hole centres	80/77 x 60 mm
Plate hole	9 mm
Offset	41 mm
Swivel Interference	182 mm
Overall height	128 mm
Temperature	- 40 / + 280 °C
Standard	EN 12532
Weight	0.774 kg
Swivel Radius	91 mm
Hardness of tread	D 85 Shore
Load capacity	125 kg
Load capacity (static)	250 kg



Roll performance	+	+	+	+	+
Movement noise	+	+	+	+	+
Attrition	+	+	+	+	+
Corrosion resistance	+	+	+	+	+



8470BOG100P62

EAN 4031582346688

