



Micropoint 2 is a high specification competitively priced emergency LED luminaire. Micropoint 2 utilises the latest LED and optic technology to provide an unobtrusive, high quality, high performance luminaire for indoor use where aesthetics are of prime importance. Micropoint 2 has been designed for ease of installation, reduced power consumption and minimal maintenance, reducing the TCO (total cost of ownership) without compromising on aesthetics. The innovative optic design used in Micropoint 2 has been developed and produced by Cooper Lighting and Safety. It utilises light efficiently from the LED to provide a uniform distribution in either an escape route or for anti-panic emergency lighting in open areas. This improves the performance and reduces the electrical power consumption. Preset light levels can be adjusted in maintained mode to operate as a security light, adjustable using a touch sensitive button on the luminaire fascia.

- Versatile multi-functional use (escape and open area anti-panic)
- IP44 ingress protection (from below ceiling) ideal for bathrooms
- Low power consumption reducing cost of ownership
- Plug and socket supply for ease of installation and maintenance
- Excellent spacing reducing the quantity of fittings required
- 60,000 hour life LED for reduced maintenance
- Self-contained, slave, self test and addressable testing options
- Environmentally friendly NiMh Battery

Micropoint 2

Lamp and Control Gear Options

- 1 x High power 1W white LED
- Consumption (Maintained) - 6.9VA/5W
- Consumption (Non-Maintained) - 3.6VA/2.5W

Materials

- Luminaire Head - Polycarbonate
- Remote Gear Pod - Flame retardant ABS
- Battery - NiMh (self-contained version)

Installation Notes

- Flush mount
- Spring retaining clips for surface installation (install from below ceiling)
- Plug and play socket for mains supply
- Cut-out diameter 64mm
- No disassembly required during installation

Options

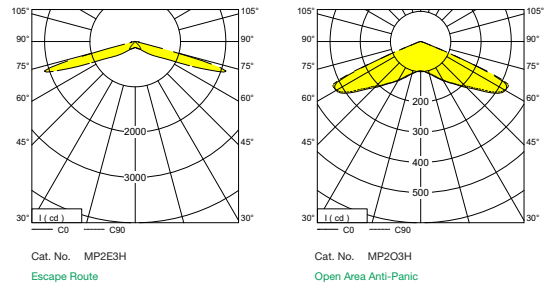
- Maintained luminaire can be operated in non-maintained mode
- Can be used as security light with 3 pre-set light levels
- Intellem Self test
- EasiCheck Addressable test system
- Central Slave versions
- CEAG Slave versions

Specification

Self-contained – To specify: High performance LED self contained emergency luminaire with 1W LED to give 20m escape route, with remote gear pod capable of installation through luminaire ceiling cut-out and NiMh Battery, as per Menvier Micropoint range, part no. _____

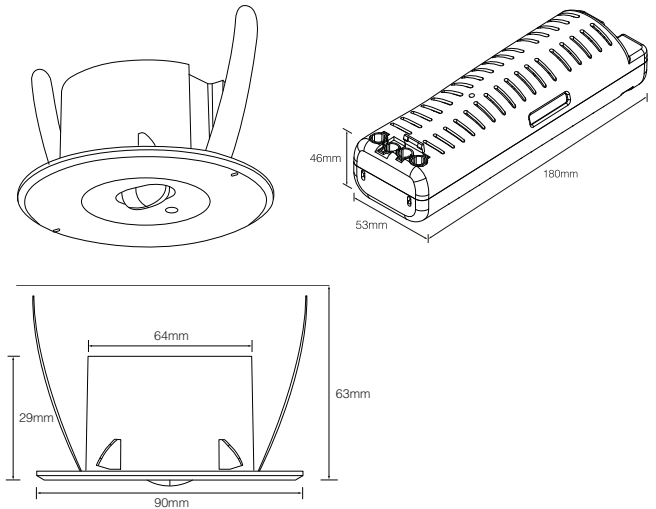
Self-test/Addressable test – To specify: High performance LED intelligent self testing/central system compatible slave emergency luminaire with 1W LED to give 20m escape route, with remote gear pod capable of installation through luminaire ceiling cut-out, as per Menvier Micropoint range, part no. _____

Photometric Data

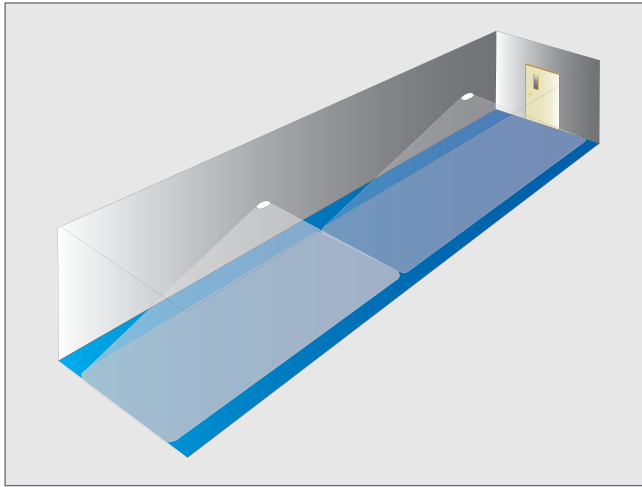


Mode	Mounting height (m)	Lux level directly under	Beam Spread (C0-C90)			
Escape optic (Asymmetric)		Escape Route 2m wide 1 lux min				
Self contained	2.5	2.7	-	-	16.6	7.5
	2.8	2.2	-	-	18.1	8.1
	3.0	1.9	-	-	19.1	8.3
Open Area optic (Symmetric)		Open (anti-panic) area 0.5 lux min				
Self contained	2.5	1.7	5.3	10.5	10.5	5.3
	2.8	1.4	5.7	11.5	11.5	5.7
	3.0	1.2	5.9	12.2	12.2	5.9
	4.0	0.67	4.9	12.5	12.5	4.9
Open Area optic (Symmetric)		Open area 1.0 lux min				
Self contained	2.5	1.7	4.3	9.4	9.4	4.3
	2.8	1.4	3.3	9.3	9.3	3.3
	3.0	1.2	3.2	9.2	9.2	3.2

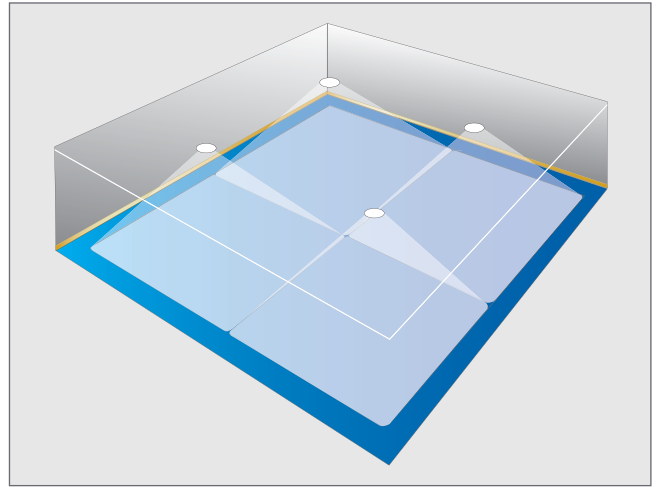
Dimensions





Escape Route (Asymmetric - 1 Lux)



Open Area (Symmetric - 0.5 Lux)



Catalogue Numbers

System Mode	Cat No	Weight (kg)
Maintained 3Hr Open Area	MP2O3H	0.45
Maintained 3Hr Escape Route	MP2E3H	0.45
Maintained 3Hr Open Area EasiCheck 2	MP2O3HEC2	0.45
Maintained 3Hr Escape Route EasiCheck 2	MP2E3HEC2	0.45
Maintained 3Hr Open Area Intellem Self Test	MP2O3HIS 	0.45
Maintained 3Hr Escape Route Intellem Self Test	MP2E3HIS 	0.45
230V Mains Slave Open Area	MP2OS230	0.25
230V Mains Slave Escape Route	MP2ES230	0.25
230V Mains Slave Open Area EasiCheck	MP2OS230EC	0.25
230V Mains Slave Escape Route EasiCheck	MP2ES230EC	0.25
230V CEAG Slave Open Area	MP2OS230CGS	0.24
230V CEAG Slave Escape Route	MP2ES230CGS	0.24