

Professionally approved products.

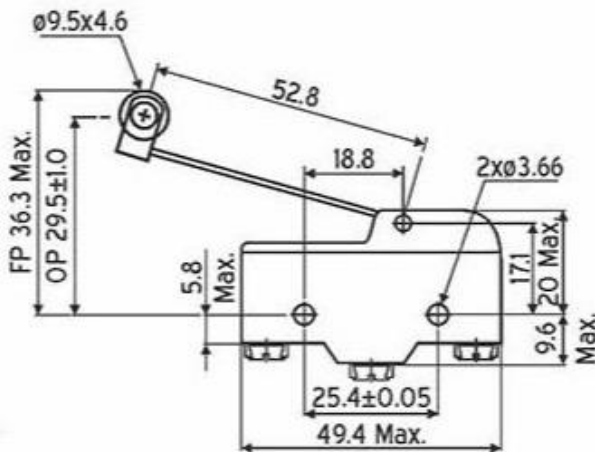
Datasheet

SP Spring Lever Microswitch, 0.03 A@ 125 V dc, 0.5 A@ 125 V dc, 15 A@ 250 V ac, 15 A@ 440 V ac

RS Stock 804-6180



Dimensions: (mm)



- Single pole changeover, snap acting switches
- Fine silver contacts
- Beryllium copper trident spring operating mechanism
- The lever actuator in free position keep the plunger depressed which is released when the lever is pressed downwards
- Easy wire-up screw and cup-washer terminals characterised by extended creepage distance between terminals
- Conform to IEC 1058-2 Standard

Professionally approved products.

Datasheet

Specifications

Characteristics	
Actuating force	170gms (max)
Release force	21 gms (min)
Pre – travel	3.0 mm (max)
Over – travel	2.4mm
Movement differential	2.0mm (max)
Salient features	Spring lever actuator having reduced actuating force

Technical Data	
Contact resistance	10 milliohms (max)
Insulation resistance	1000 megaohms (min)
Voltage proof	1 KV AC for one minute
Terminals	M 3.5 screw with cup washer
Electrical life	50,000 operations
Mechanical life	1 million operations

Electrical Rating	
Load	Rating
AC	15A at 125V or 15A at 250V or 15A at 440V
AC	15A at 125V or 15A at 250V or 4A at 440V
DC	0.5 A at 125V or 0.25 A at 250V
DC	0.05 A at 125V or 0.03 A at 250V