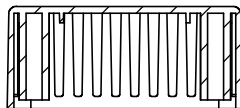


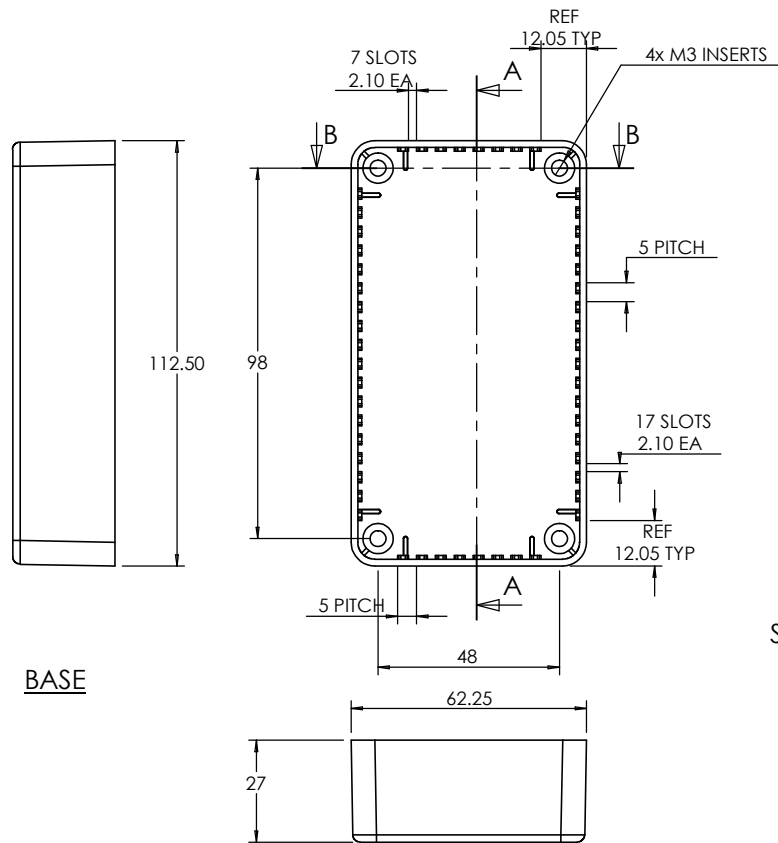
OVERALL ASSEMBLY DIMENSIONS:

EXTERNAL - 112 (131.5) x 62 x 31

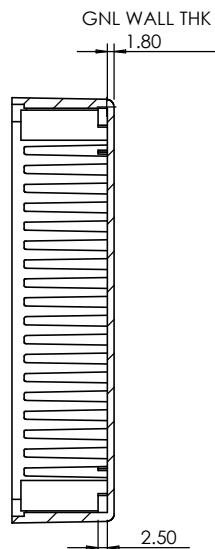
INTERNAL 108.4 x 58.4 x 27.4



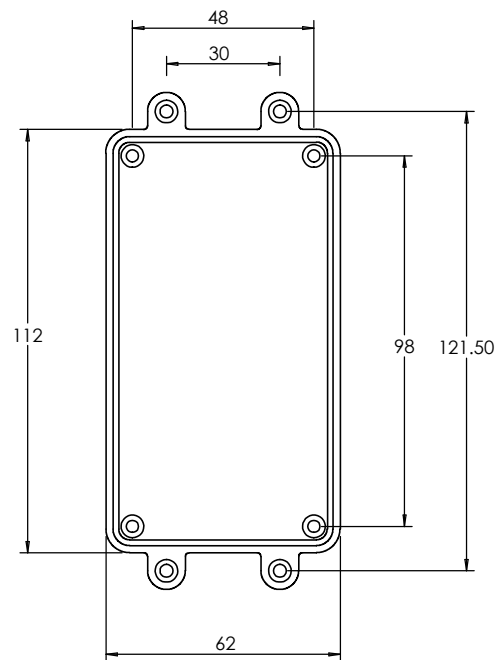
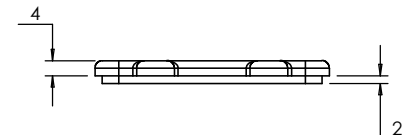
SECTION B-B



BASE



SECTION A-A

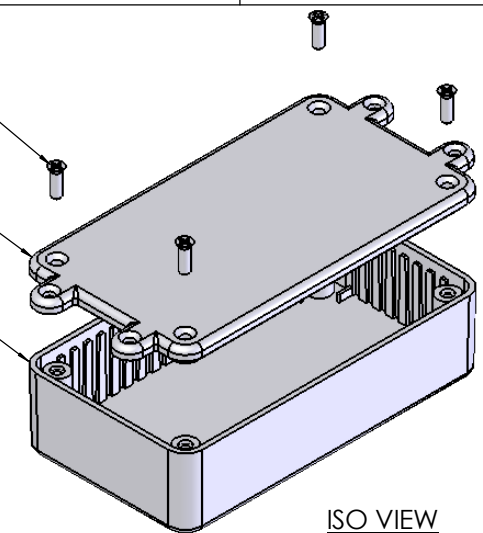


LID

M3 CSK SCREW

LID

BASE



ISO VIEW

CAMDENBOSS
ELECTRONICS & ENCLOSURES

JAMES CARTER RD, MILDENHALL, SUFFOLK. IP28 7DE
TEL: 01638 716101 FAX: 01638 716554
EMAIL: Sales@CamdenBoss.com
WEB: www.CamdenBoss.com

UNLESS OTHERWISE SPECIFIED:
DIMENSIONS ARE IN MILLIMETERS

DO NOT SCALE DRAWING

REVISION. 0

FINISH.
SMOOTH

TITLE:
ASSEMBLY DRG FOR 2003,13-LUG

	NAME	SIGNED	DATE
DRAWN	S.HARDINGE	SJH	04/10/05
CHKD	-	-	-

MATERIAL.
ABS

PROJECTION.

DWG NO.	2003,13-LUG	A4
SCALE. 1 : 2	SHEET 1 OF 1	