

STANDARD HAND PALLET TRUCKS

Pfaff 'Silverline'

Standard hand pallet trucks

Lifting capacity 2500kg

Pfaff's range of hand pallet trucks have gained an enviable reputation for strength, quality & durability. All Pfaff trucks have a high-quality epoxy coating, a comfortable ergonomic handle which can be turned on 210° to the left and right side and can be supplied with varied steering / load wheel combinations.

We can offer two fork sizes in our Silverline (best seller) ranges to suit both the standard Euro and GKN pallet sizes.

Features and benefits include:

- Smooth and quiet motion due to the use of rubber rollers.
- Easy Handling as the handle is released from the hydraulic system to the neutral position.
- Precisely adjustable pressure control valve to prevent damage from overloading.
- One-hand control for controlling all functions such as lifting, transporting and lowering.
- Ergonomic handlebar.
- Specially hardened axles, maintenance-free bearings and hard chrome-plated piston rods.
- Precision lowering valve to enable you to adjust the lowering speed to your requirements.



High quality rod assembly and lever giving controlled lifting and lowering

Double coated chrome piston with high quality seals reduce effort at maximum load

Investment casting with integrated oil reservoir. Increased safety with spring guard

210° steering left and right

Rubber wheels as standard although other options are available

High quality construction

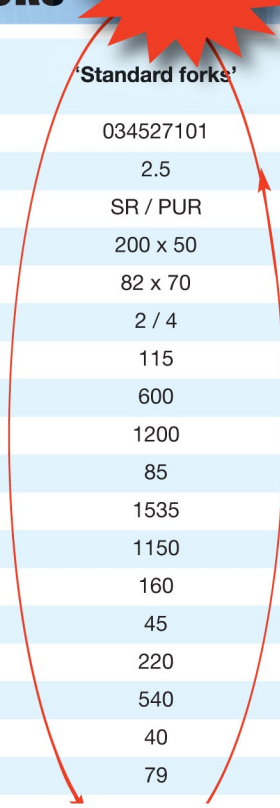
Epoxy coated finish

Robust design with reinforced frame for greater strength

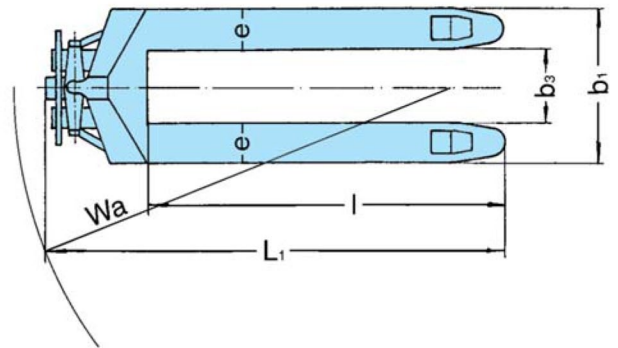
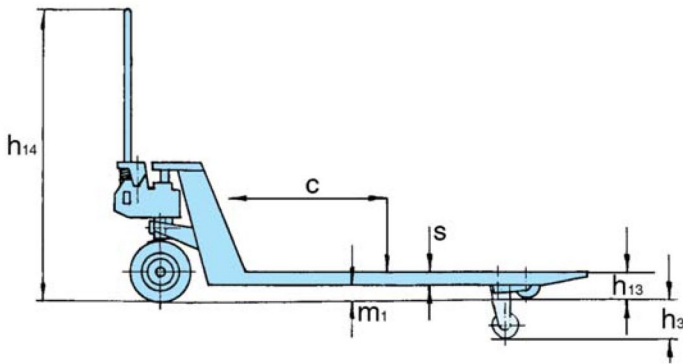
STANDARD HAND PALLET TRUCKS



Type				'Standard forks'
Article no.				034527101
Lifting capacity	tonne	-		2.5
Steering/load wheels*	-	-		SR / PUR
Wheel size (front)	mm	-		200 x 50
Load wheel size (rear)	mm	-		82 x 70
Number of wheels front/rear	-	-		2 / 4
Lifting height	mm	h^3		115
Load centre	mm	c		600
Height of steering handle	mm	h^{14}		1200
Fork height when lowered	mm	h^{13}		85
Total unit length	mm	L^1		1535
Useable fork length	mm	l		1150
Fork width	mm	e		160
Fork thickness	mm	s		45
Inside of forks	mm	b^3		220
Outside fork width	mm	b^1		540
Floor/ground clearance	mm	m^1		40
Weight	kg	-		79



*Solid rubber (SR), Polyamide (PA), Polyurethane (PUR).



Reinforced pallet entry rollers

Tandem rollers as standard