

Circular Connectors C 091 D Male cable connector straight; metal, No. of contacts 3, 300 V, EMI protection

Part No. C091 31H003 100 2

Series Circular Connectors C091

Subseries Circular Connector C 091 D



View represents all available contact positions. 08.16.2014

COMMON CHARACTERISTICS		
No. of contacts		3
Contact arrangement (DIN)	DIN EN 60130-9	41 524
Contact arrangement (IEC)	IEC 60130-9	60130-9
Version		straight; metal
Cable diameter		4-6 mm
ELECTRICAL CHARACTERISTICS		
Rated voltage	DIN EN 60664-1 / IEC 60664-1	300 V
Rated voltage	UL 1977	250 V
Rated impulse voltage	DIN EN 60664-1 / IEC 60664-1	1500V
EMI protection		EMI protection
Installation category	DIN EN 60664-1 / IEC 60664-1	I
Insulation group	DIN EN 60664-1 / IEC 60664-1	II, 400 ≤ CTI < 600
Insulation resistance	DIN EN 60512-2, Test 3a / IEC 60512-2, Test 3a	≥ 10 ¹⁰
Contact resistance	DIN EN 60512-2, Test 2a / IEC 60512-2 Test 2a	< 5 mΩ
Current carrying capacity	DIN EN 60512-3, Test 5b / IEC 60512-2 Test 5b	5 A / + 40°C
Pollution degree	DIN EN 60664-1 / IEC 60664-1	1
CLIMATIC CHARACTERISTICS		
Climatic category	DIN EN 60068-1 / IEC 60068-1	40 / 100 / 56
Temperature range		- 40 °C ... + 100 °C- 40 °F ... + 212 °F
MECHANICAL CHARACTERISTICS		
IP degree of protection	DIN EN 60529 / IEC 60529	IP 67 / IP 65
Insertion and withdrawal force	DIN EN 60512-13-2, Test 13b / IEC 60512-13-2, Test 13b	25 N 90.oz
Mechanical lifetime	IEC 60512-5, Test 9a	≥ 500 mating cycles
MATERIALS		
Insert		Thermoplastic
Contact plating		silver plated
Housing		die cast, nickel plated
Gasket		Neoprene
FURTHER CHARACTERISTICS		
Termination		solder
Wire gauge		≤ 0,5 mm ²
Wire gauge (AWG)		≤ 20
Flammability	UL 94	UL 94 V0
Locking		screw

Circular Connectors C 091 D Male cable connector straight; metal, No. of contacts 3, 300 V, EMI protection

Part No. C091 31H003 100 2

Series Circular Connectors C091

Subseries Circular Connector C 091 D

Drawing Dimensions in mm (Inch)



18-08-2018

View represents all available contact positions.

Circular Connectors C 091 D Male cable connector straight; metal, No. of contacts 3, 300 V, EMI protection

Part No. C091 31H003 100 2

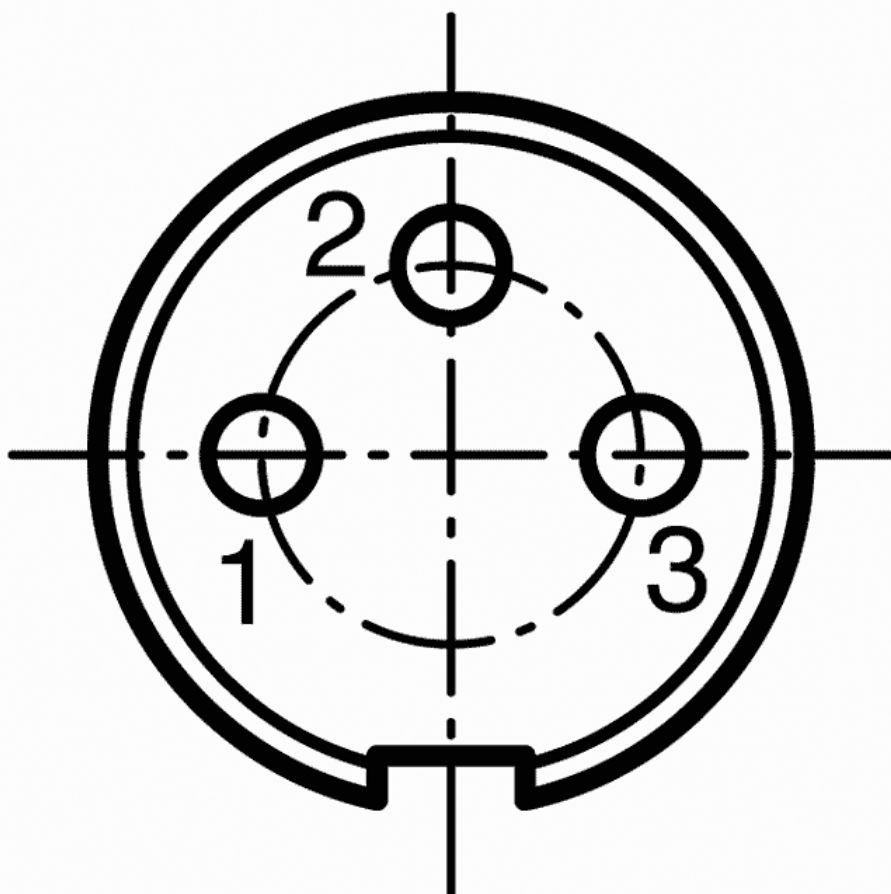
Series Circular Connectors C091

Subseries Circular Connector C 091 D



View represents all available contact positions.

2 + 3



Contact arrangement