

DETAILS

Product Number	CA13509_STRADA-SQ-T2
Family	Strada-SQ
Type	Assembly
Color	black
Diameter	25 x 25 mm
Height	8,7 mm
Style	square
Optic Material	PMMA
Holder Material	
Fastening	screw, pin, tape
Status	ready
ROHS Compliant	Yes
Date Updated	3/02/2015



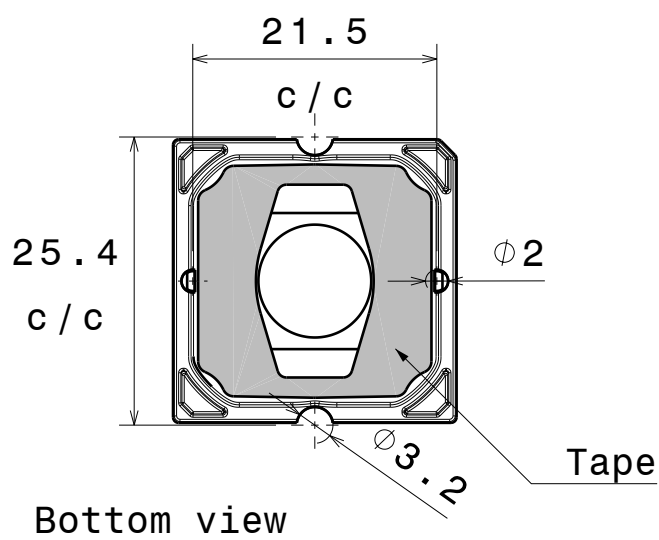
OPTICAL PROPERTIES

LED	Viewing Angle	Light Beam	Efficiency	cd/lm	Connector
MHB-A	sim: Asym	Asymmetric	-	sim: 0.000	-
XHP50	Asymmetric deg	Asymmetric	94 %	0.730	-
MK-R2	sim: Asymmetric	Asymmetric	-	sim: 0.000	-
LUXEON M	Asymmetric deg	Asymmetric	93 %	0.600	-

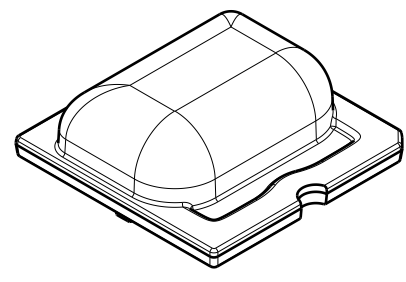
D C B A

4

4



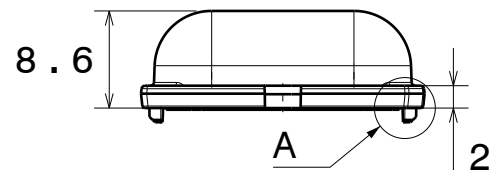
Bottom view



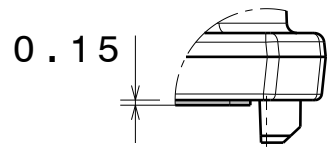
Isometric view

3

3



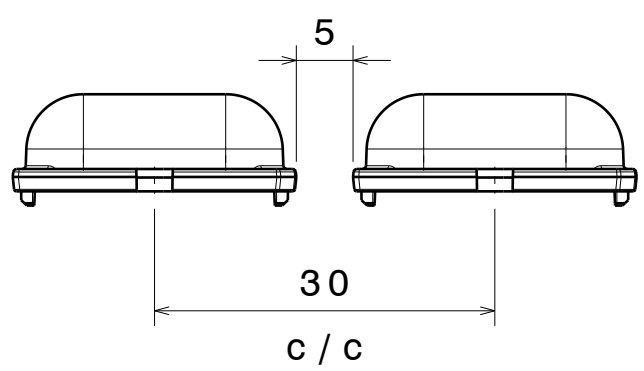
Front view



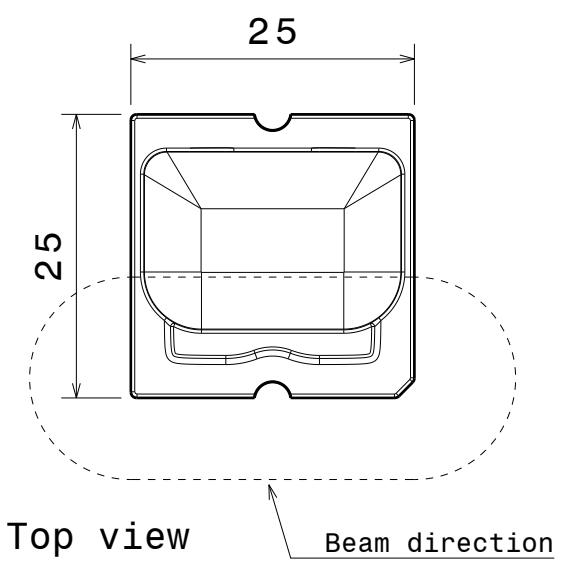
Detail A

2

2



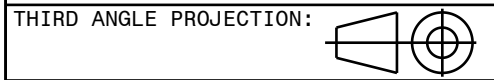
Minimum spacing



Top view

Tolerances if not otherwise shown
According to DIN ISO 2768-1
Linear measures:
Up to 30mm class M, otherwise class C.
According to DIN ISO 2768-2
Form and position: class L

LEDiL	Ledil Oy Salorankatu 10 FIN 24240 SALO Finland		
	DRAWING TITLE		



STRADA-SQ-T2 Datasheet

This drawing is the property of LEDiL Oy. It may not be reproduced, copied or communicated without a written agreement with LEDiL Oy."

SIZE	PART NUMBER	-	
A4			

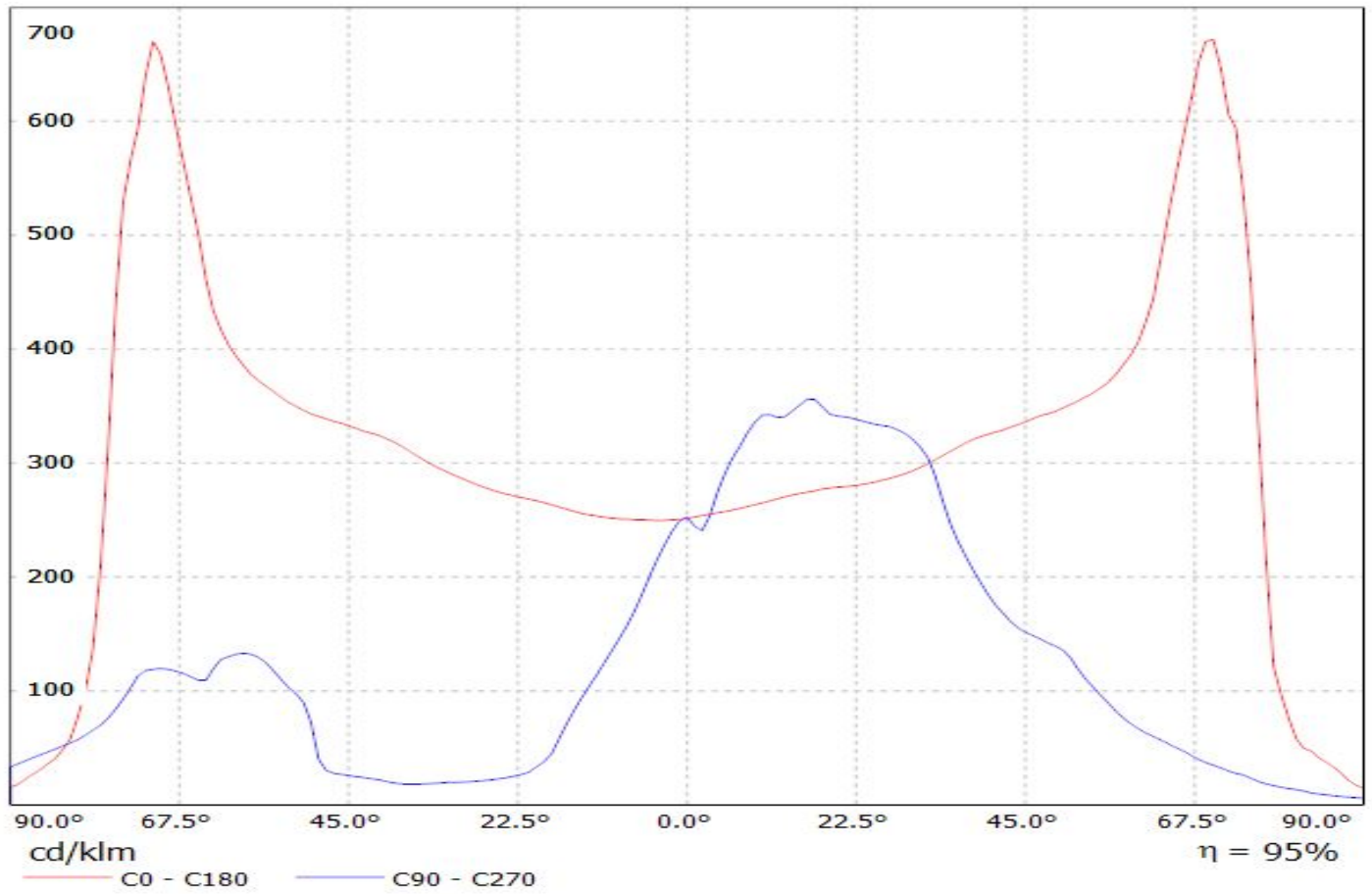
SCALE	3:2	WEIGHT	-	SHEET	1/1
-------	-----	--------	---	-------	-----

1

1

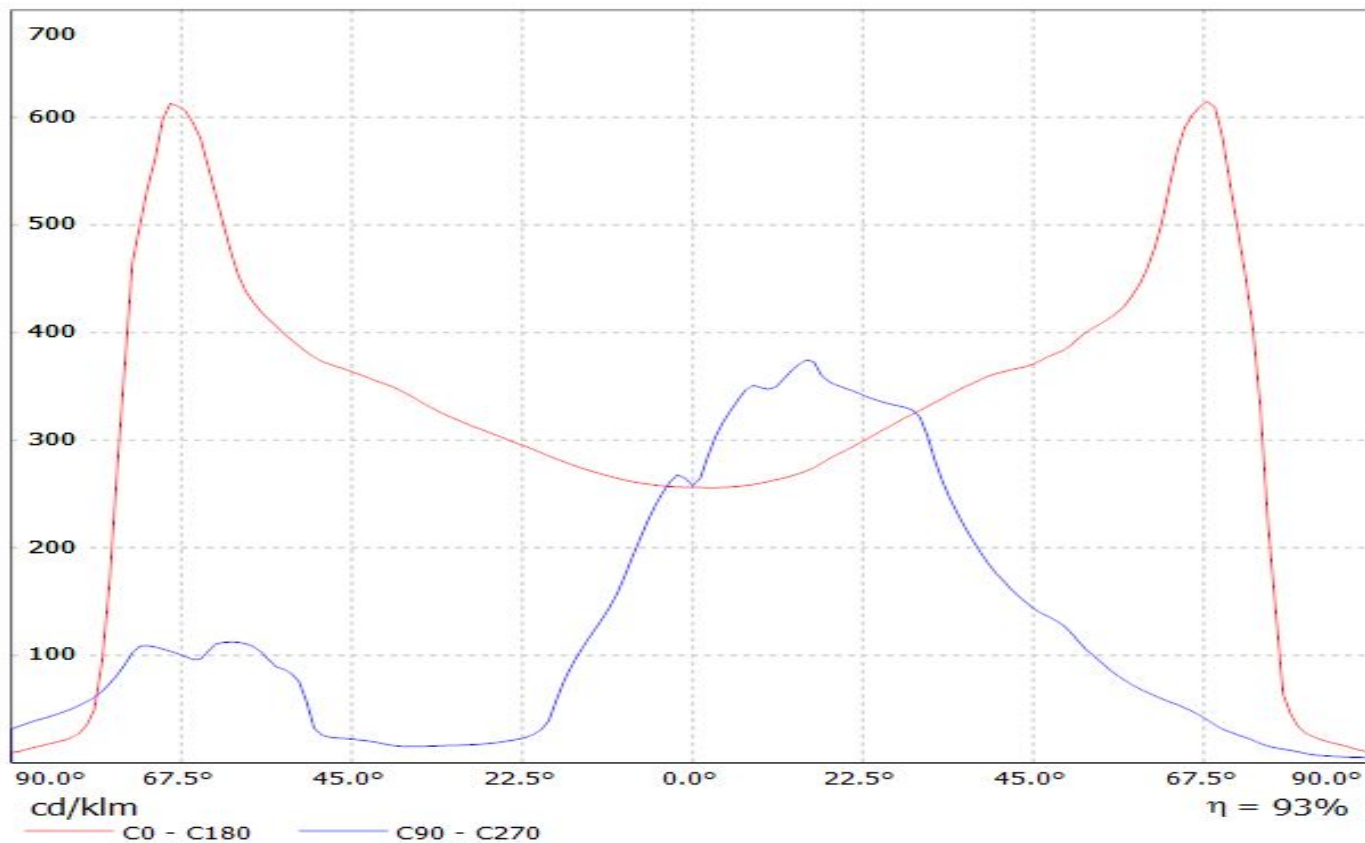
D A

Luminaire: LEDiL Oy CA13509_STRADA-SQ-T2_(Cree_XHP50_Cool_White)
Lamps: 1 x Cree_XHP50_Cool_White_244.145lm@250mA_P=1.42855W_η=0.2499A

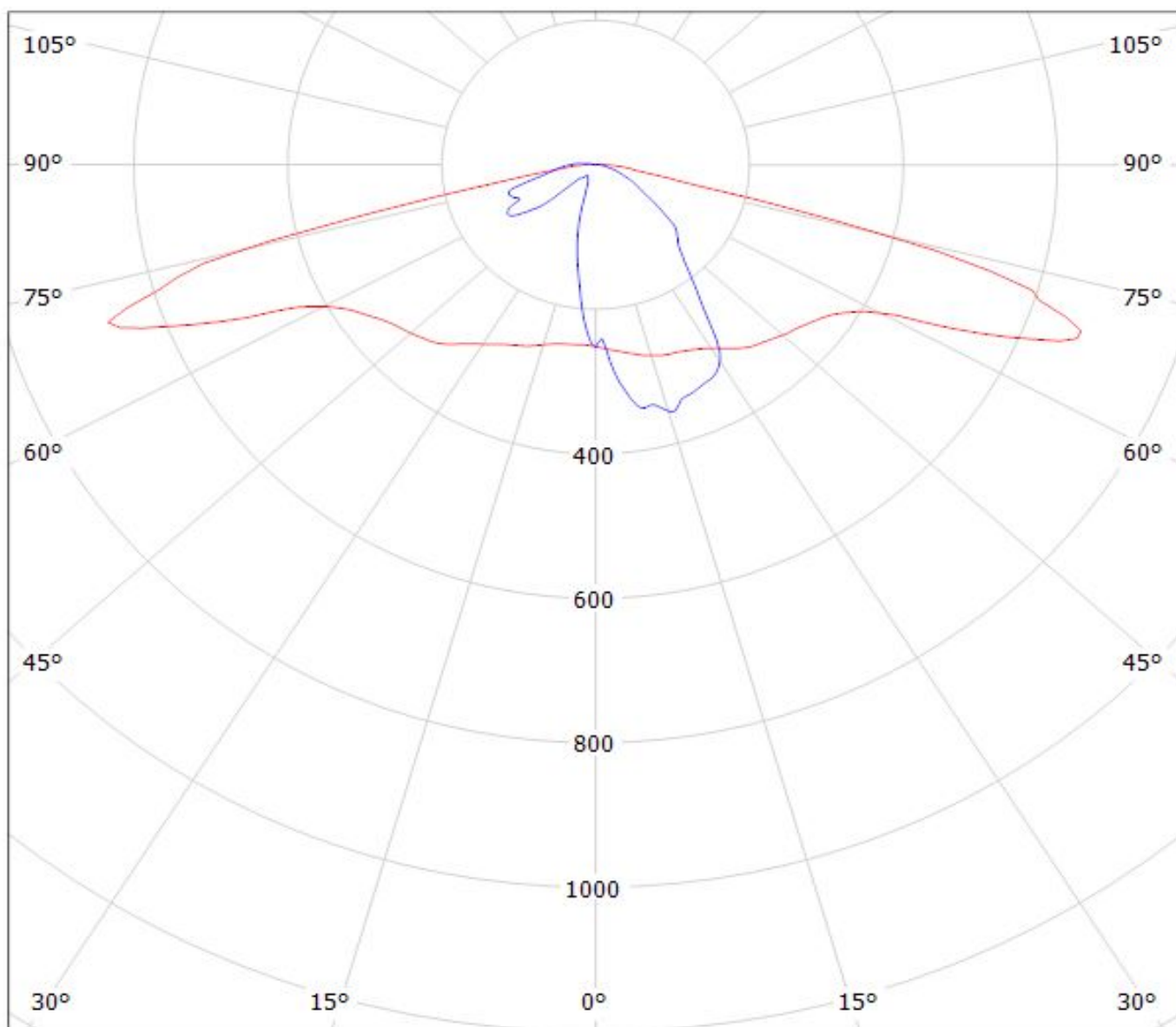


LEDiL Oy CA13509_STRADA-SQ-T2_(LUXEON_M) Eff.93.1% / LDC (Linear)

Luminaire: LEDiL Oy CA13509_STRADA-SQ-T2_(LUXEON_M) Eff.93.1%
Lamps: 1 x LUXEON_M_350.373lm@250mA_CCT=4092K_P=2.73116W_I=249.9mA



Luminaire: LEDiL Oy CA13509_STRADA-SQ-T2_(Cree_XHP50_Cool_White)
Lamps: 1 x Cree_XHP50_Cool_White_244.145lm@250mA_P=1.42855W_ι=0.2499A



cd/klm

— C0 - C180

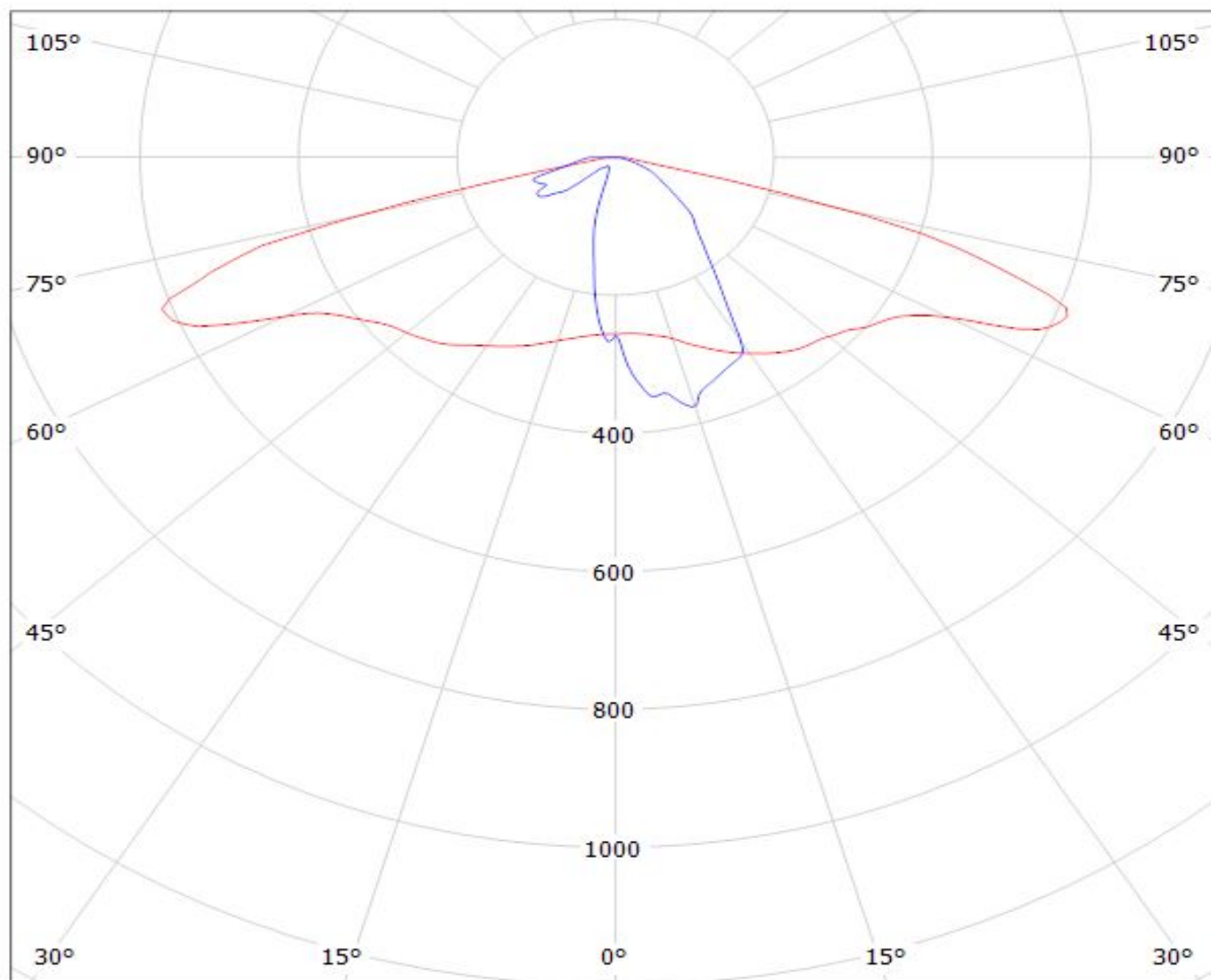
— C90 - C270

$\eta = 95\%$

LEDiL Oy CA13509_STRADA-SQ-T2_(LUXEON_M) Eff.93.1% / LDC (Polar)

Luminaire: LEDiL Oy CA13509_STRADA-SQ-T2_(LUXEON_M) Eff.93.1%

Lamps: 1 x LUXEON_M_350.373lm@250mA_CCT=4092K_P=2.73116W_I=249.9mA



— C0 - C180 — C90 - C270

NOTE: The typical divergence will be changed by different color, chip size and chip position tolerance. The typical total divergence is the full angle measured where the luminous intensity is half of the peak value.