

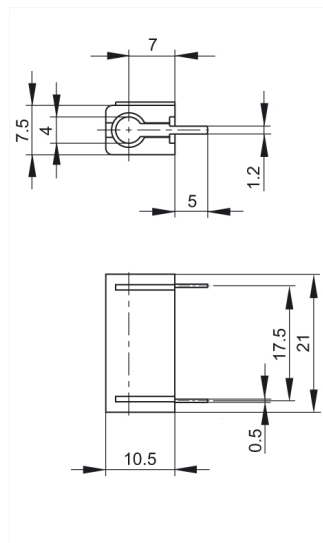
## PB 4 schwarz/black

Measuring and Testing Equipment: Sockets: 4 mm system

### Product description

Description	4 mm diameter test socket for measuring and testing printed boards during operation. The test socket may also be mounted on the printed board using a BZ 2.2 DIN7971 pan-head, self-tapping screw. Tin-plated brass through-hole 4 mm diameter socket.
Type	PB 4 schwarz/black
Order No.	973 582-100
System	4 mm system
Housing Color	black
Other standard types	red color, order no. 973 582-101

### Drawing



### Technical data

Type of contact	socket
Type of termination	soldered
Rated voltage	DC 60 V
Rated current	16 A
Contact resistance	5 mOhm
Mounting	screw

### Material

Contact material	brass
Contact surface material	tin-plated
Housing material	PC

### Environmental conditions

Temperature range	-25 °C to +85 °C
-------------------	------------------

### Inflammability class

