

Datasheet

Pneumatic Elbow Threaded to the Tube Adapter, G ¼ Male, Push in 6mm

RS Stock number [4454596](#)



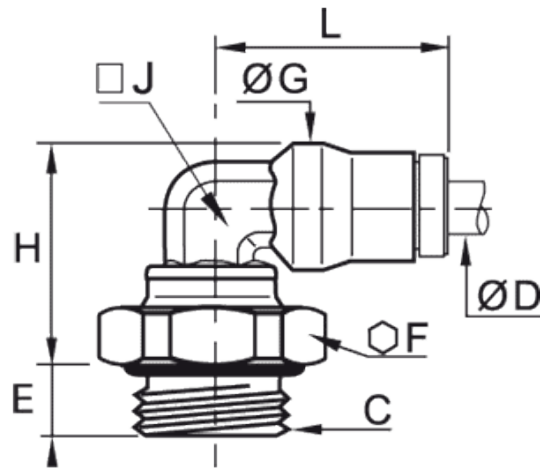
Features

- Connection of tubing at a 90° angle to a threaded port
- Solid construction and compact
- External shapes easy to clean
- Components comply with FDA standard, and 1935/2004/EC regulation
- Excellent resistance to corrosion

Specifications

- | | |
|--------------------------------|----------------------------------|
| • Vacuum Capability | 755 mm Hg |
| • Body: | FDA Chemical Nickel Plated Brass |
| • Sub-base: | FDA Chemical Nickel Plated Brass |
| • 'O'-rings: | FKM |
| • Collar: | FDA Chemical Nickel Plated Brass |
| • Sealing Washer: | FDA Chemical Nickel Plated Brass |
| • Angle: | 90° |
| • Finish: | Nickel Plated |
| • Manufacturer Series: | 3699 |
| • Material: | Brass |
| • Maximum Operating Pressure: | 20 bar |
| • Operating Temperature Range: | -20°C to +120°C |
| • Threaded Connection | G ¼ in Male |
| • Tube Connection | Push In 6 mm |

Datasheet



Measurements

- ØD (mm): 6
- C: G1/4
- E (mm): 6.5
- F (mm): 16
- ØG (mm): 12
- H (mm): 19.5
- J (mm): 8
- L (mm): 21.5
- Weight (kg): 0.069