

rotronic

Datenblatt - Fiche technique - Data sheet

11.01.5830



ROLINE Tastatur-Kabel-PS/2 ST/ST, 3,0m

ROLINE Câble de clavier pour PS/2, M/ M, 3,0m

ROLINE PS/2 Cable, M – M, 3 m



ITEM	COLOR	LENGTH
11.01.5818	BEIGE	1800±30mm
11.01.5830	BEIGE	3000±30mm
11.01.5860	BEIGE	6000±50mm

NOTE: 注:线材颜色用RLA专用米色!!

1. CABLE: 28AWG, NON-UL, AL-FOIL, 6C+1, BEIGE COLOR, OD=4.5mm, PVC JACKET.

2. LENGTH: 1800mm

3. CONNECTORS: MD6M*2PCS(BLACK INSULATOR)

4. MOLD: 成型半圓網狀模 — 成型半圓網狀模

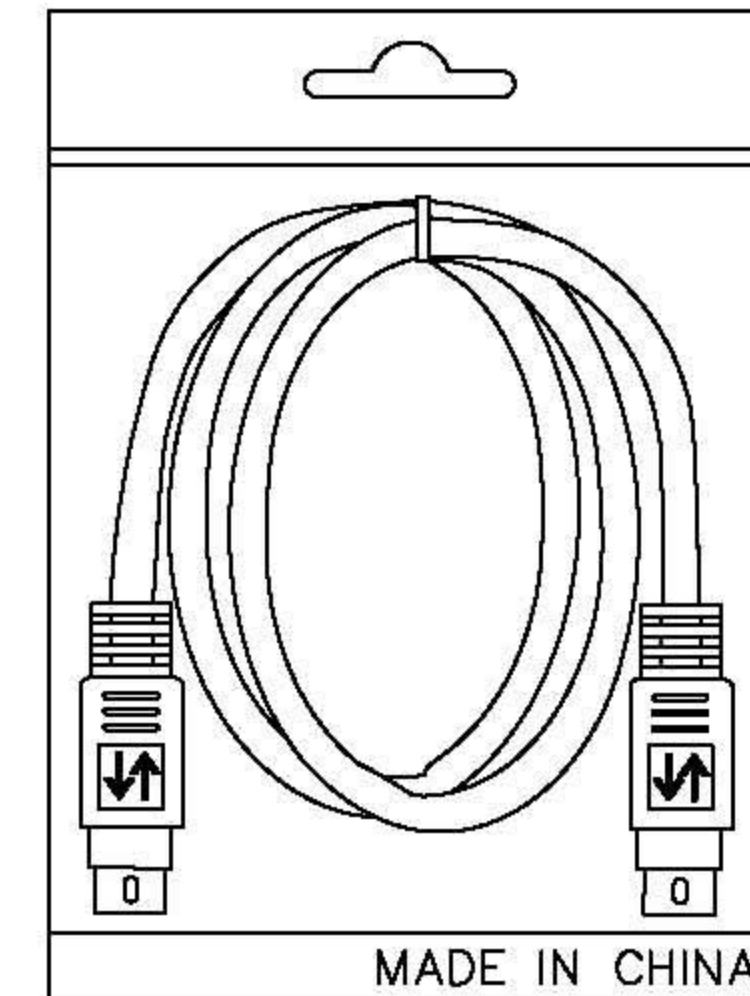
5. CONTACTS:

MD6M	1	2	3	4	5	6	64
------	---	---	---	---	---	---	----

MD6M	1	2	3	4	5	6	64
------	---	---	---	---	---	---	----

6. OPEN/SHORT TEST: 100% TEST.

INSULATION: 1M.



PE BAG(190*300*0.06)

1PCS/PE BAG+吊卡+條碼貼紙

COMPANY	RLA		ITEM NO.	11.01.5818	編號	B3267	<p>Rotronic Co., Ltd.</p>	SCALE	
REVISION	DATE	DISCRIPTION	DRAWN BY					UNIT(mm)	
REV.A/0	2005.09.24	C9-2509057	DESIGNED BY					DRAWING NO.	
			APPROVAL BY						