

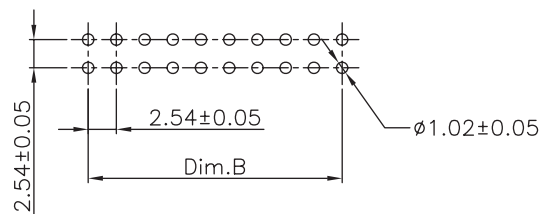
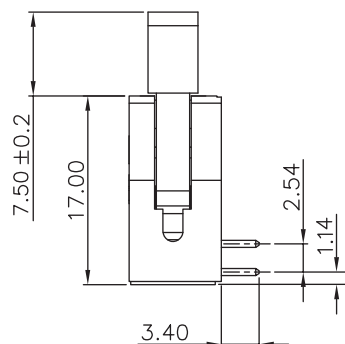
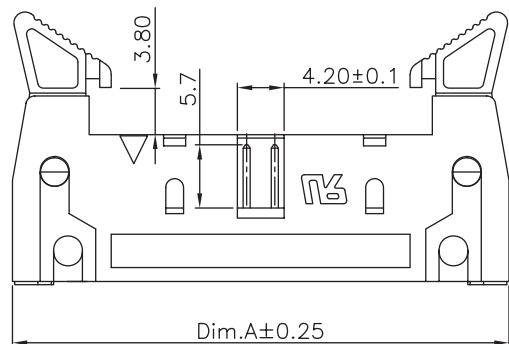
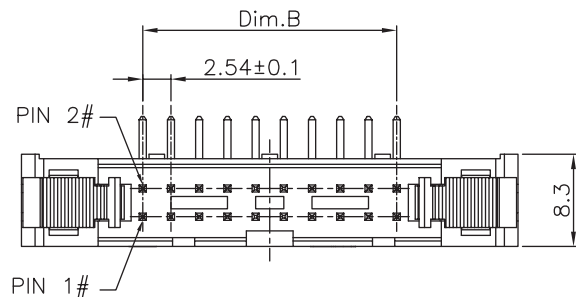
1

2

3

4

5



Recommended P.C.B Layout

TECHNICAL CHARACTERISTICS

MATERIAL
 INSULATOR: PBT
 FLAMABILITY RATING: UL94-V0
 COLOR: BLACK
 CONTACT MATERIAL: COPPER ALLOY
 CONTACT TYPE: STAMPED
 CONTACT PLATING: GOLD
 QUALITY CLASS: 3 AS PER CECC 75 301-802
 PITCH: 2.54MM

ENVIRONMENTAL
 OPERATING TEMPERATURE: -40 UP TO 125°C
 COMPLIANCE: LEAD FREE AND ROHS

ELECTRICAL
 CURRENT RATING: 3A MAX
 WORKING VOLTAGE: 250V AC
 INSULATOR RESISTANCE: >1000 MOHM
 DIELECTRIC WITHSTANDING VOLTAGE: 500V AC/MN
 CONTACT RESISTANCE: 20 mOHM MAX

STANDARD
 CERTIFIED: E323964 / MODEL NUMBER 612-212-R

SOLDERING
 WAVE PROCESS ONLY

PACKAGING
 TRAY

DIMENSION

No. of Positions	Dim A	Dim B	No. of Positions	Dim A	Dim B
6	26.92	5.08	26	52.30	30.48
8	29.46	7.62	30	57.40	35.56
10	32.00	10.16	34	62.50	40.64
12	34.54	12.70	40	70.10	48.26
14	37.08	15.24	50	82.85	60.96
16	39.62	17.78	60	95.50	73.66
20	44.70	22.86			
24	49.78	27.94			

Notes:
 No. of Positions 50~64 With Three Or One Key; Other Positions one With one key.

RoHS Compliant	
G	30-AUG-12
F	07-MAR-12
E	08-JUL-10
D	15-MAR-10
C	16-NOV-09
B	19-MAY-09
A	27-NOV-07
REV	DATE

DIM	GG
DRAWING	GG
PACKAGING	JC
DELETE NOTES	JP
STANDARD	JP
NEW DRAWING	JP
MODIFICATIONS	EC
FILE	BY

PROJECTION:

APPROVAL: RJ

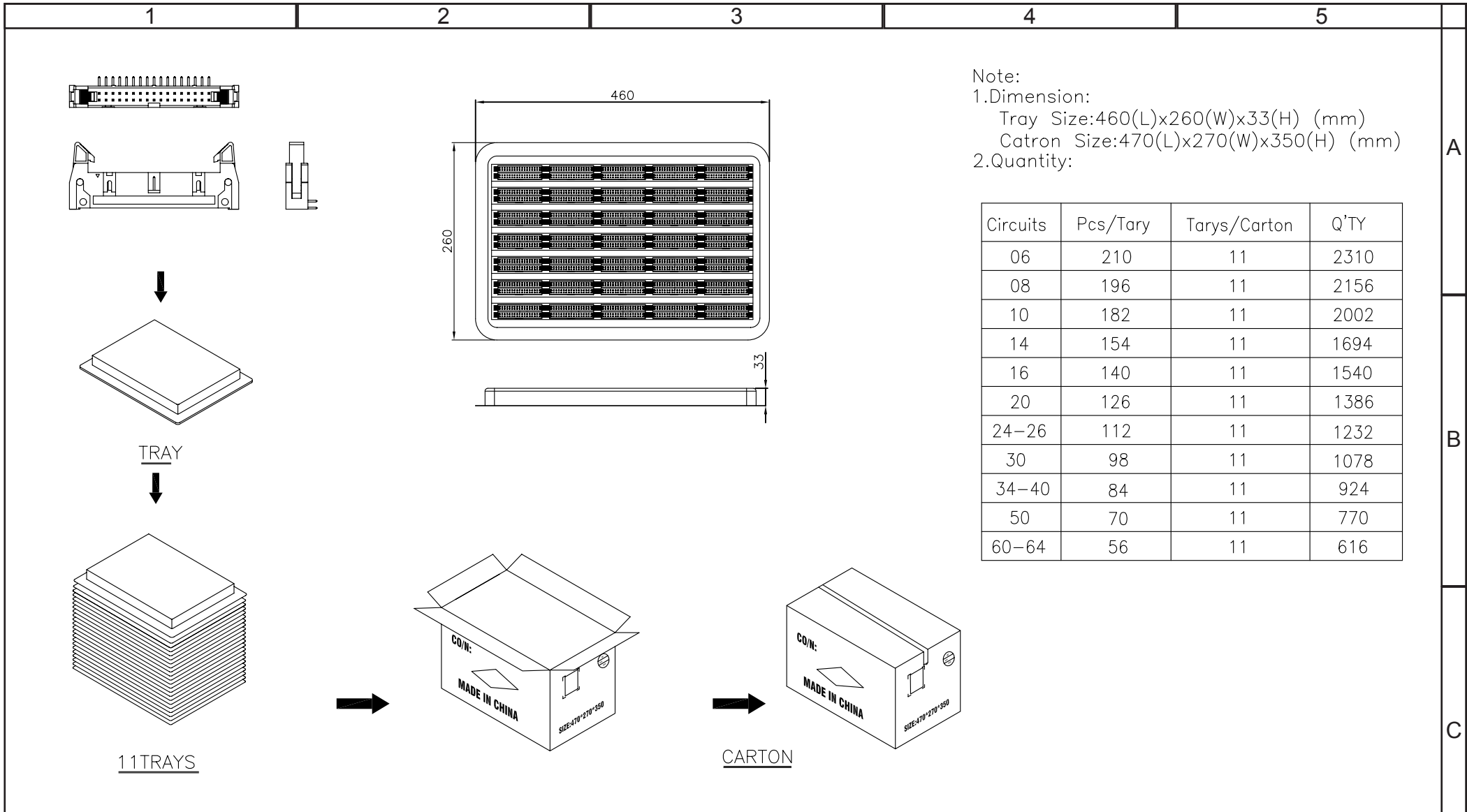
GENERAL TOLERANCE
 .X = +/- 0.2
 .XX = +/- 0.15

UNIT: MM
 SCALE:
 SHEET: 1/2
 DRAW: MIKE



DESCRIPTION: 2.54MM MALE ANGLED BOX HEADER WITH SHORT LEVER
 WERI PART NO: 612 0xx 221 21

SIZE
A4



Note:
 1.Dimension:
 Tray Size:460(L)x260(W)x33(H) (mm)
 Catron Size:470(L)x270(W)x350(H) (mm)
 2.Quantity:

Circuits	Pcs/Tary	Tarys/Carton	Q'TY
06	210	11	2310
08	196	11	2156
10	182	11	2002
14	154	11	1694
16	140	11	1540
20	126	11	1386
24-26	112	11	1232
30	98	11	1078
34-40	84	11	924
50	70	11	770
60-64	56	11	616

RoHS Compliant				PROJECTION:	GENERAL TOLERANCE		DESCRIPTION: 2.54MM MALE ANGLED BOX HEADER WITH SHORT LEVER WERI PART NO: 612 0xx 221 21	SIZE A4
G					.X = +/- 0.2			
F					.XX = +/- 0.15			
E				APPROVAL: RJ	UNIT: MM			
D					SCALE:			
C				DRAW: PEARL	SHEET: 2/2			
B								
A								
REV	DATE	FILE	BY					