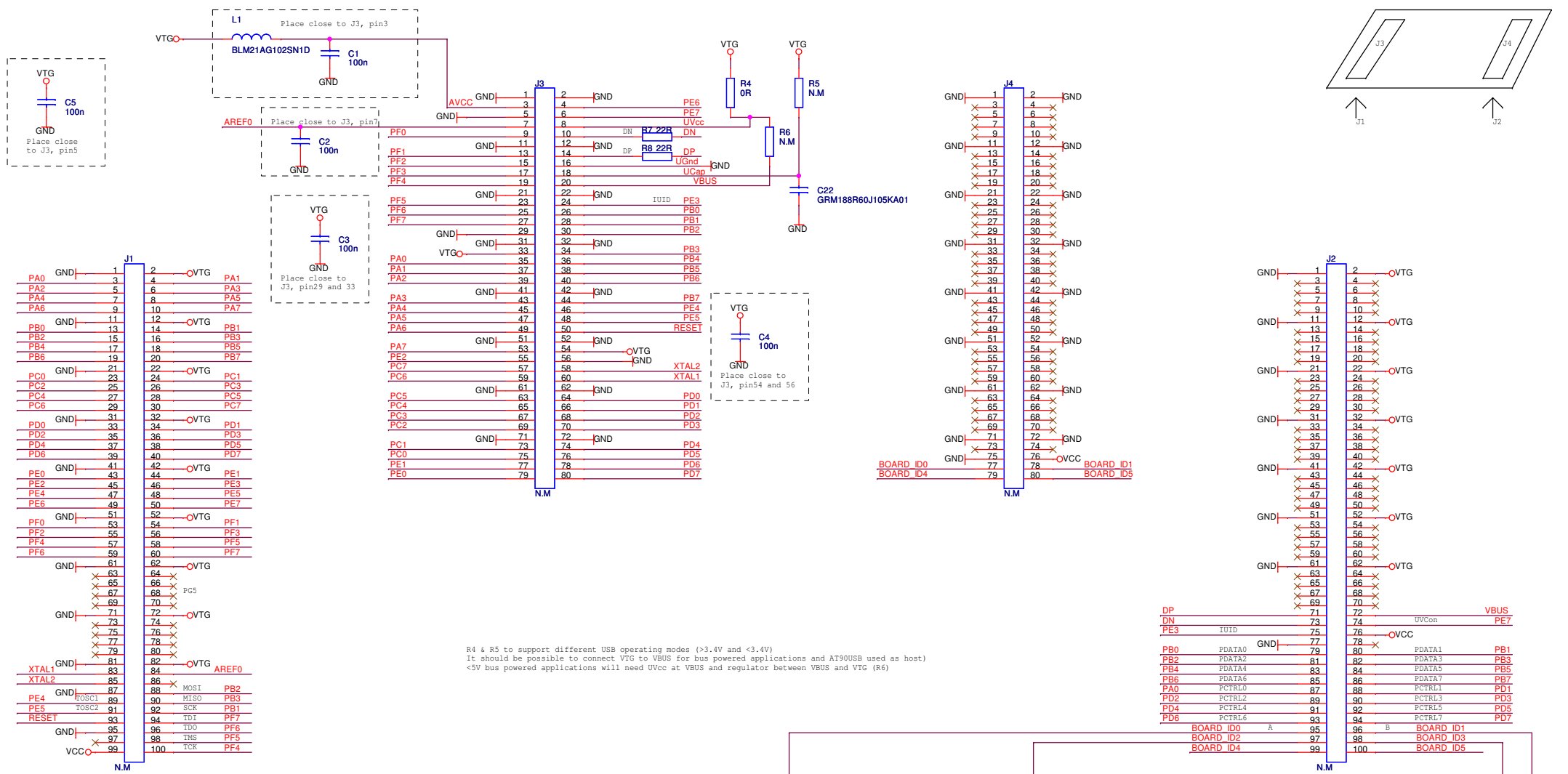
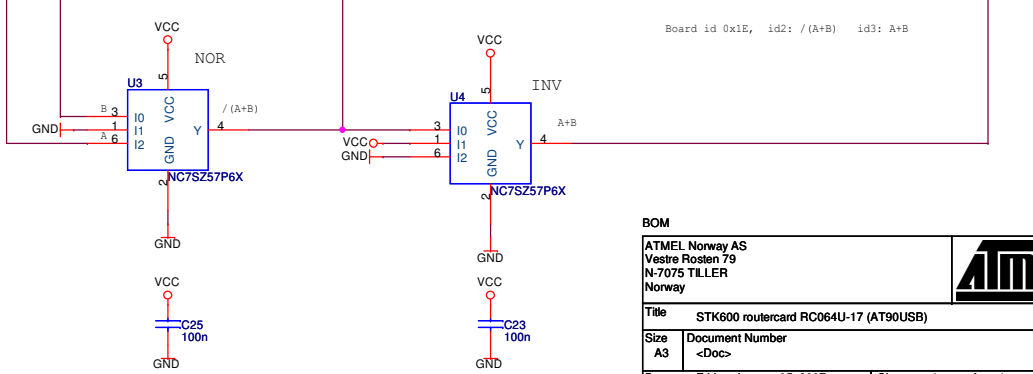
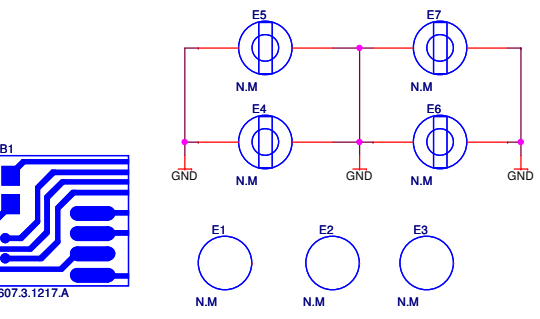
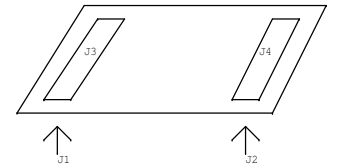


STK600 RC064U-17

J3 and J4 mates up to the socket card, while J1 and J2 goes down to the mother board. J1 is physical placed below J3, and J2 below J4.



R4 & R5 to support different USB operating modes (>3.4V and <3.4V)
 It should be possible to connect VTG to VBUS for bus powered applications and AT90USB used as host)
 <5V bus powered applications will need UVcc at VBUS and regulator between VBUS and VTG (R6)



BOM		
ATMEL Norway AS Vestre Rosten 79 N-7075 TILLER Norway		
Title STK600 routercard RC064U-17 (AT90USB)		
Size A3	Document Number <Doc>	Rev B
Date: Friday, January 05, 2007	Sheet 1	of 1