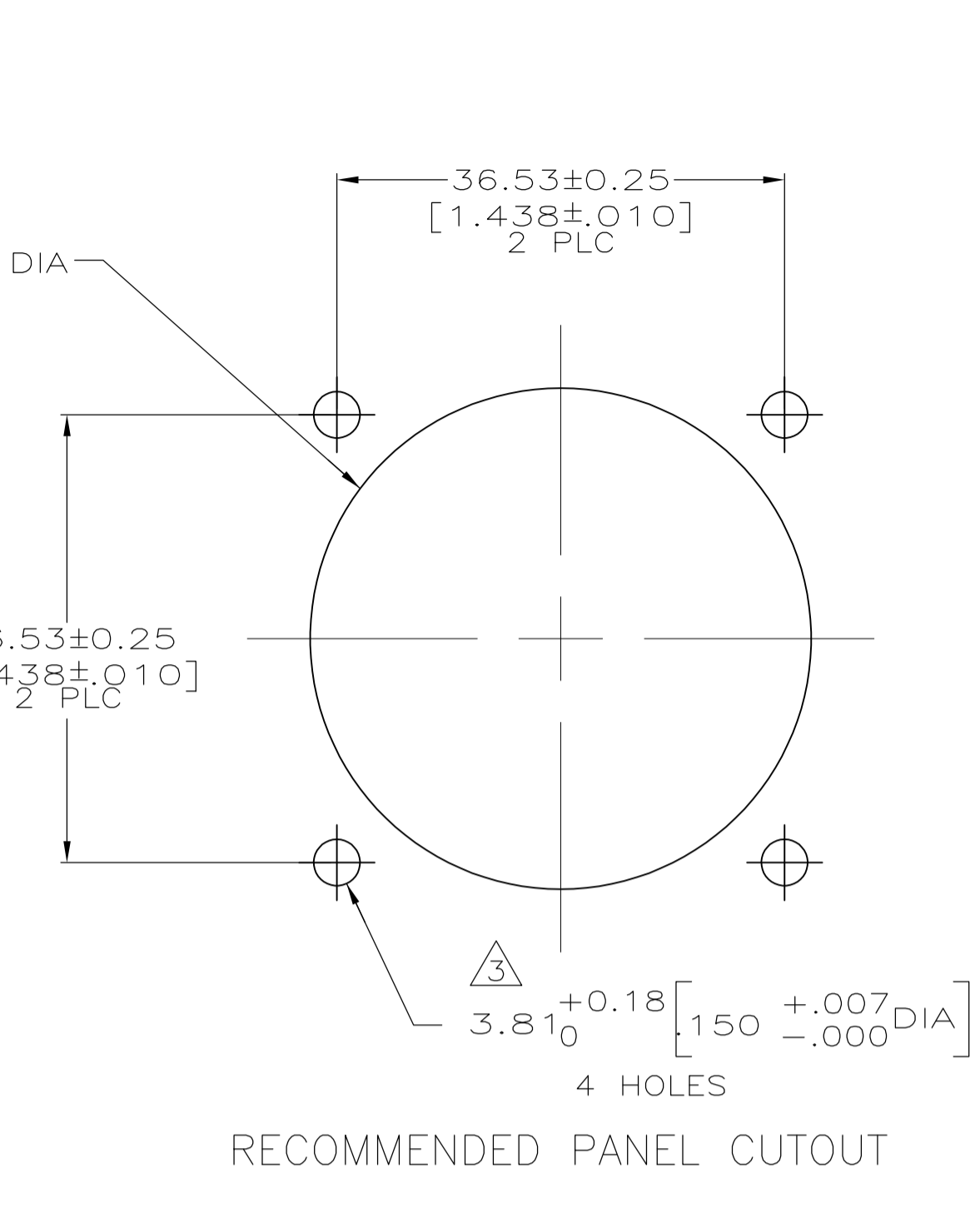
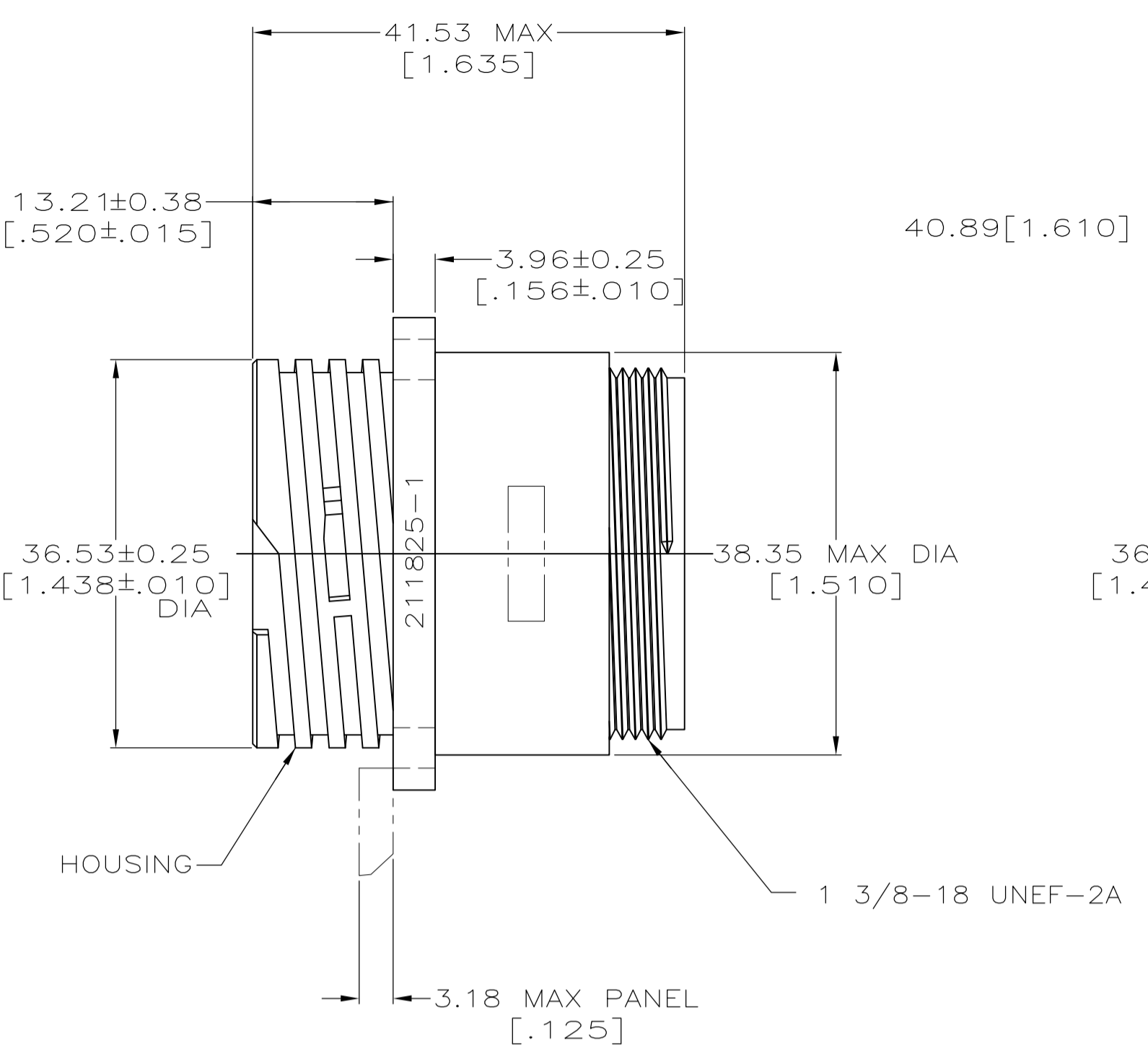
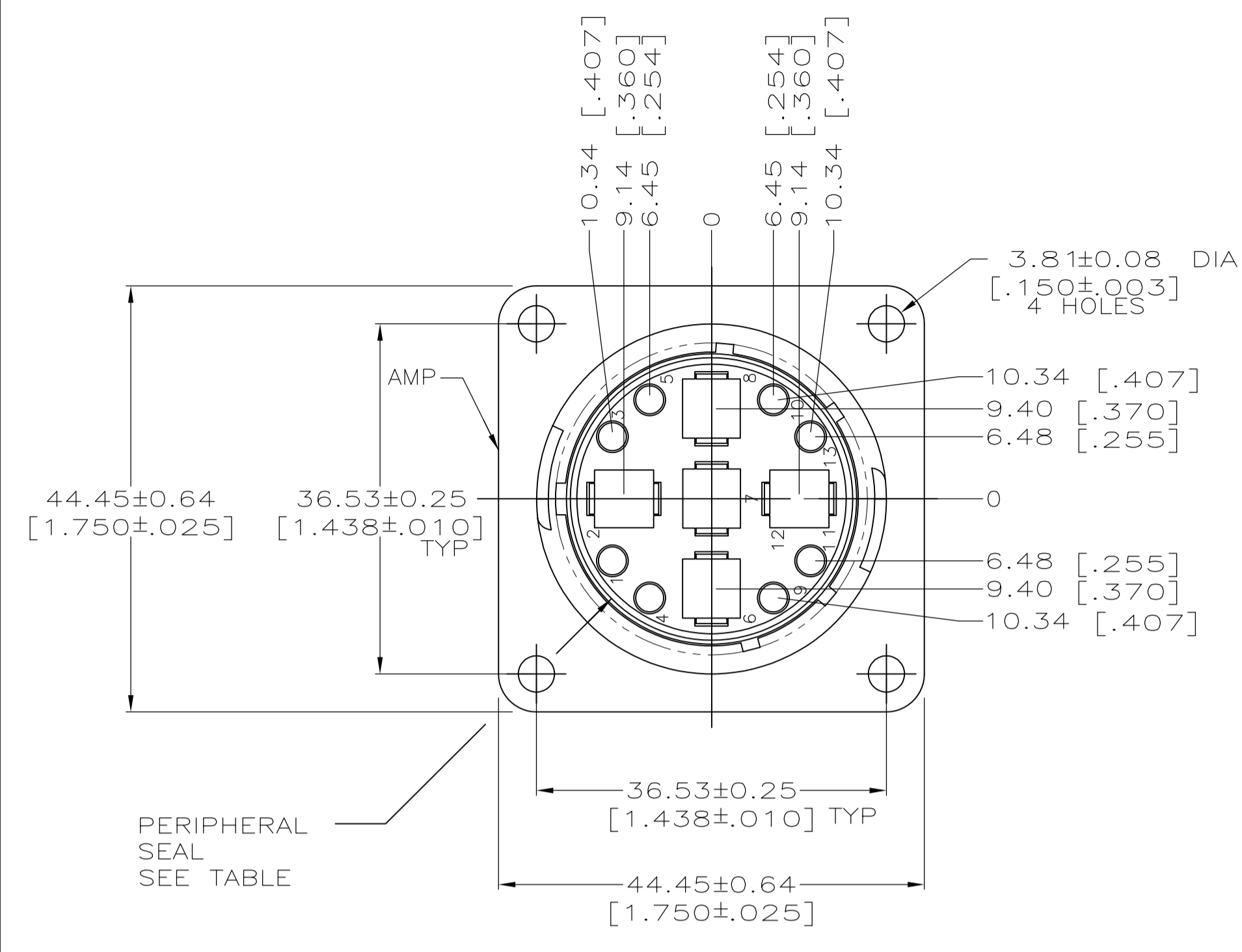
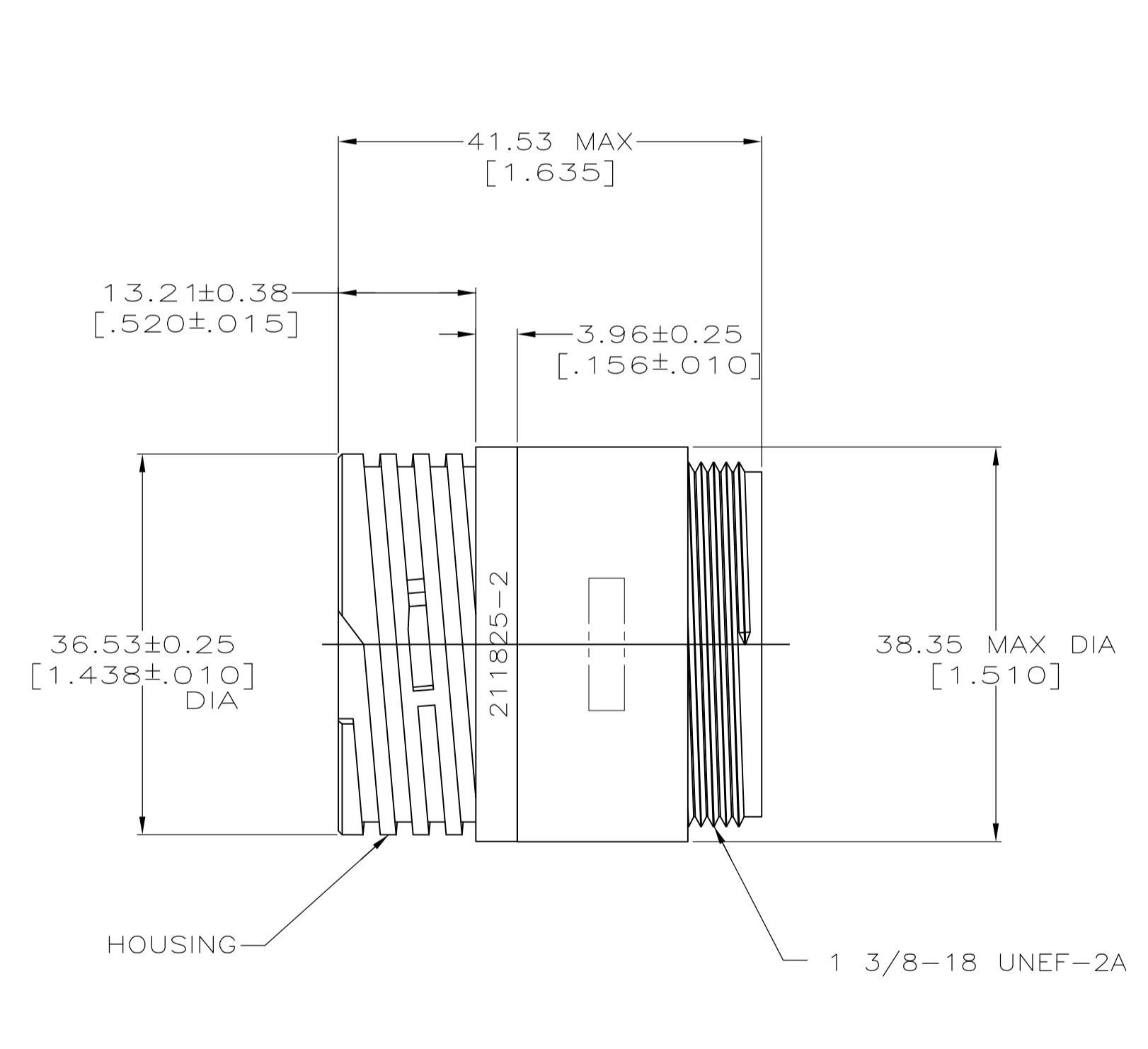
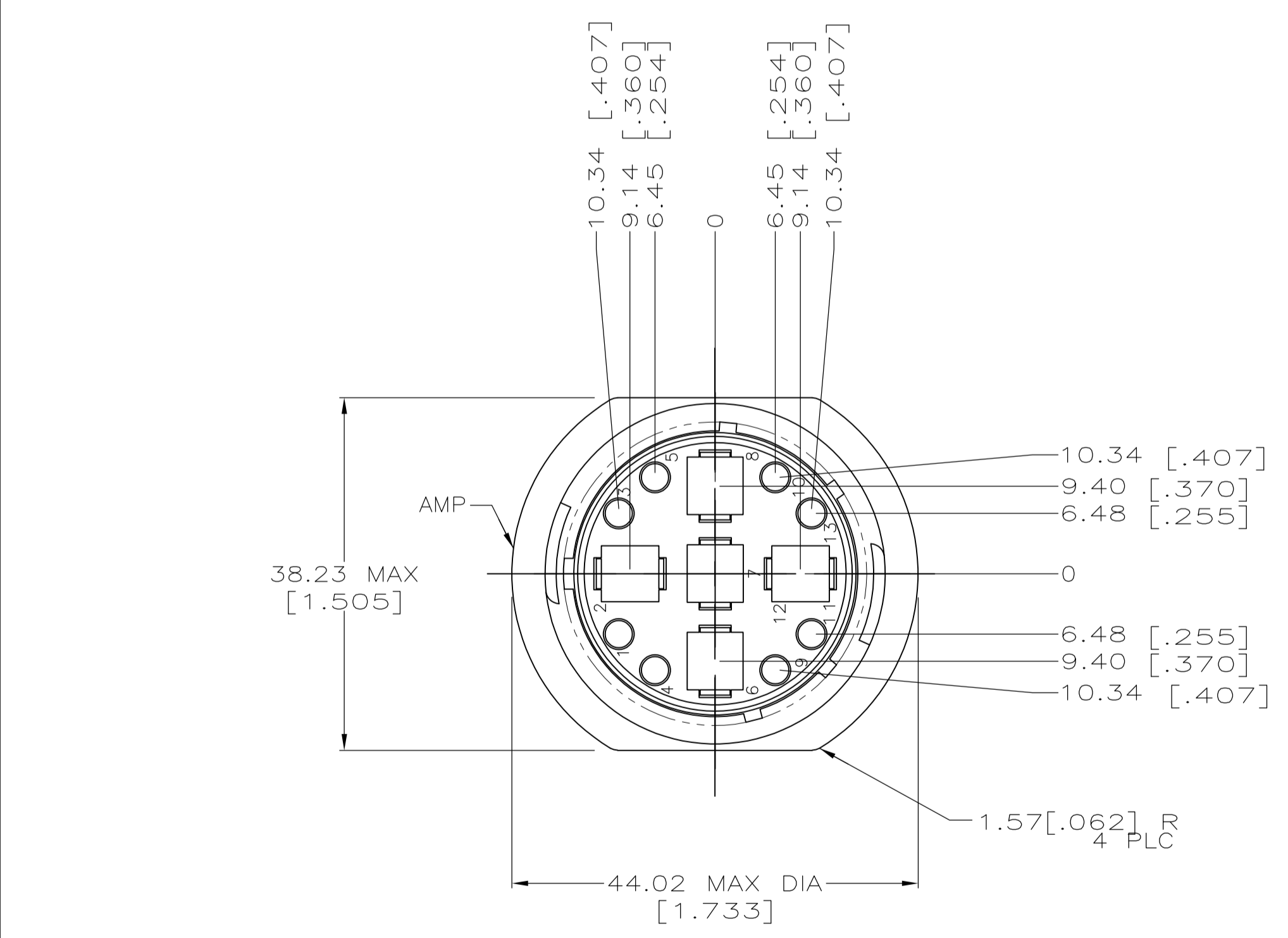


MOD	LOC	DIST	P	F	ZONE	LTR	DESCRIPTION	DATE	APPD
4	BD	35				B	REDRAWN W/O CHANGE PER EC 0020-0569-94	05/26/94	AF
						C	OBSOLETE PER EC 0020-1564-93	08/10/94	AF
						D	REACTIVATED -1 & -2 PER EC 0020-0291-95	04/04/95	AF
						E	REVISE PER EC 0G3B-0607-01	10JUN02	SH
						F	REVISED PER ECO-09-020689	25AUG09	AEG



DETAIL A



DETAIL B

1. WILL ACCEPT (8) MULTIMATE PINS AND (5) TYPE XII MALE CONTACTS.
 2. CAVITY IDENTIFICATION ON FRONT AND REAR FACE.
 3. NO. 4 FASTENERS RECOMMENDED FOR MOUNTING.
 4. MAX WIRE INSULATION DIAMETERS:
 MULTIMATE: 3.43 [.135] MAX DIA.
 TYPE XII: 5.59 [.220] MAX DIA.
 5. THIS RECEPTACLE MATES WITH PLUG ASSEMBLY 211824-1.
- ⚠️ OBSOLETE PARTS: OBSOLETE CIS STREAMLINING PER D.RENAUD/D.SINISI

⚠️ OBSOLETE	YES	A	211825-3
	NO	B	211825-2
	NO	A	211825-1
PERIPHERAL SEAL	SEE DETAIL	PART NUMBER	

DO NOT SCALE PRINT. UNLESS SPECIFIED DIMENSIONS IN mm [INCHES] TOLERANCES: ON: 2 PLC DEC ±0.13 [.005] 3 PLC DEC ± - ANGLES ± -	DR 05/26/94 M.BINNER CHK 6-23-94 R.STONE APPD 7-13-94 A.FRANTUM APPD 7-13-94 A.FRANTUM	AMP Incorporated Harrisburg, PA 17105-3608 NAME RECEPTACLE HOUSING, STANDARD SEX, SHELL SIZE 23, CPC		
HOUSING: NYLON, BLACK	PRODUCT SPEC 108-10024			
FINISH -	APPLICATION SPEC -	SIZE D	CAGE CODE 00779	DRAWING NO. C-211825
WEIGHT -	SCALE 2:1	SHEET 1 OF 1		

THIS DRAWING IS A CONTROLLED DOCUMENT FOR AMP INCORPORATED. IT IS SUBJECT TO CHANGE AND THE CONTROLLING ENGINEERING ORGANIZATION SHOULD BE CONTACTED FOR THE LATEST REVISION.