

HCMD-07-S-03-02-T

.100" IDC CABLE STRIPS HCMD, HCMS HCSD, HCSS

Mates with:
TSW, MTSW, TST, EW,
BST, LCW, ZST, MTLW,
TSM

Features:

- Low Profile
- Skinny side locks
- Dual beam contacts
- Single & double row
- High temp insulator
- Odd lead counts
- Customs our specialty
- Easy assembly

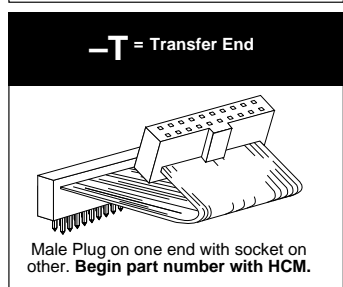
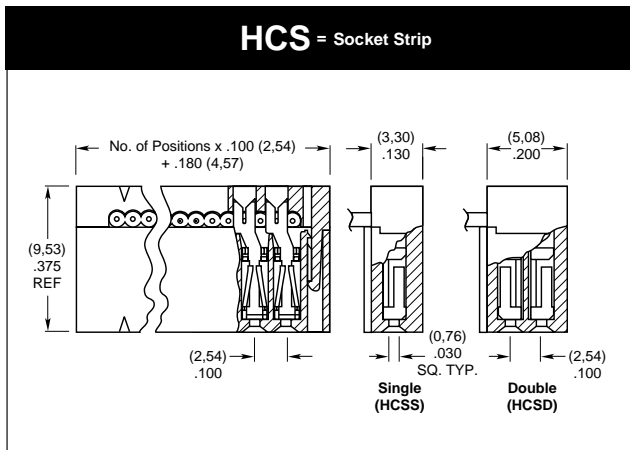
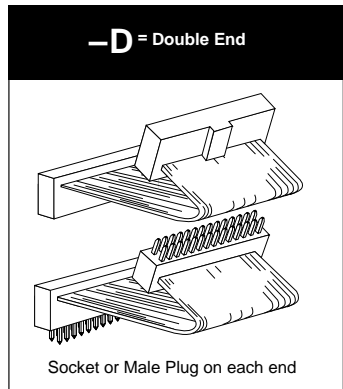
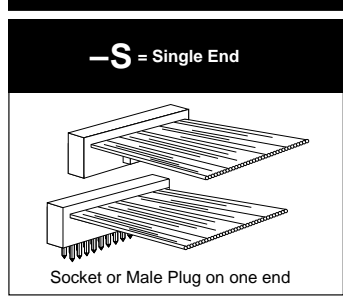
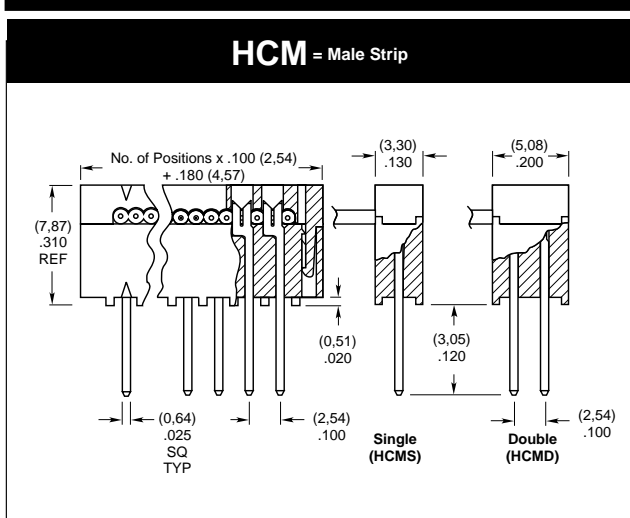
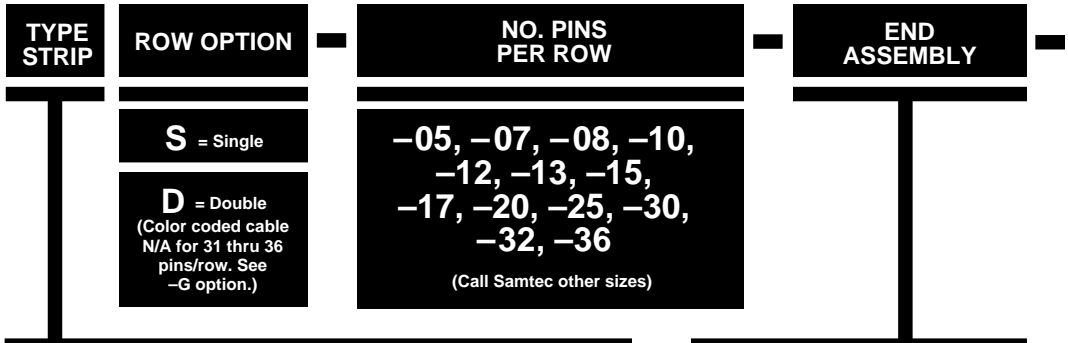
**Specifications:
HCSD, HCSS**

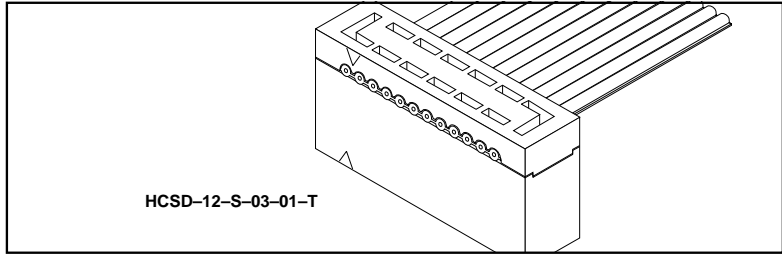
Insulator Material:
Black Liquid Crystal Polymer
Flammability Rating:
UL 94V-0
Insulation Resistance:
5000 MΩ
Temperature Range:
-65°C to +80°C
Withstanding Voltage:
1000 VRMS @ 60 Hz
Contact: Phosphor Bronze
Plating:
10μ" (0,25μm) on contact
area, 150μ" (3,81μm)
Sn on balance over
50μ" (1,27μm) Ni.
Current Rating: 1A
Contact Resistance:
10 mΩ max
Lead Size Range:
.024" (0,61mm) SQ to
.026" (0,66mm) SQ
Lead Insertion Depth:
.185" (4,70mm) to .250"
(6,35mm)
Insertion Force:
6 oz avg (1,67N) average with
.025" (0,64mm) SQ probe
Withdrawal Force:
3 oz avg (0,83N) average with
.025" (0,64mm) SQ probe
Wire: 28 AWG 7/36 stranded
Tinned Copper

**Specifications:
HCMD, HCMS**

Insulator Material:
Black Liquid Crystal Polymer
Flammability Rating:
UL 94V-0
Insulation Resistance:
5000 MΩ
Temperature Range:
-65°C to +80°C
Withstanding Voltage:
1000 VRMS @ 60 Hz
Terminal: Phosphor Bronze
Plating: 150μ" (3,81μm) Sn
over 50μ" (1,27μm) Ni
Current Rating: 1A
Wire: 28 AWG 7/36 stranded
Tinned Copper

Note: IDC assemblies are
non-standard, non-returnable.





.100" IDC CABLE STRIPS HCMD, HCMS HCSD, HCSS

<p>ASSEMBLED LENGTH</p>	<p>01</p>	<p>PLATING OPTION</p>	<p>NOTCH POLARIZATION</p>	<p>OTHER OPTIONS</p>
<p>- "XX" = Assembled Length</p> <p>Assembled Length in INCHES ($\pm 1/8"$) 2 inches minimum</p>		<p>-S = 10μ" (0,25μm) Gold on contact area or tail, 150μ" (3,81μm) Tin on balance (Standard on HCSS & HCSD. Leave blank)</p> <p>-T = 150μ" (3,81μm) Tin (Standard on HCMS & HCMD. Leave blank)</p>	<p>-N = Notch Polarization</p> <p>Required for HCSS and HCSD. (Not available on HCMS or HCMD, unless Transfer, then only the socket is polarized.)</p>	

<p>-P "XX" = Position Polarization</p> <p>Single Double</p> <p>Specify "XX" as position. For Double the same position will be polarized on both ends. (Not available on HCM, unless Transfer, then only the socket is polarized)</p>	<p>-ST "X" = Stripped & Tinned</p> <p>Specify Suffix from table. All dimensions are $\pm 1/16"$ (1,59mm). Not available in 28 positions and higher.</p> <table border="1"> <tr> <td>-ST8</td> <td>1/8" (3,18)</td> </tr> <tr> <td>-ST4</td> <td>1/4" (6,35)</td> </tr> <tr> <td>-ST2</td> <td>1/2" (12,70)</td> </tr> <tr> <td>-ST3</td> <td>3/8" (9,53)</td> </tr> </table>	-ST8	1/8" (3,18)	-ST4	1/4" (6,35)	-ST2	1/2" (12,70)	-ST3	3/8" (9,53)	<p>-S "XX" = Daisy Chain Single</p> <p>When mating double row connector with two single row connectors, the outer most single will be connected to Conductor #1 and the inside single to Conductor #2.</p>	<p>-R = Reversed</p>
-ST8	1/8" (3,18)										
-ST4	1/4" (6,35)										
-ST2	1/2" (12,70)										
-ST3	3/8" (9,53)										
<p>-G = Gray Cable</p> <p>Standard cable is color coded. Specify -G for Gray cable with one red edge.</p>	<p>-B "XX" = Breakout</p> <p>Specify "XX" as number of conductors to be broken out.</p> <p>Breakout starts with Number 1 lead indicated by brown wire or red stripe. Shown on top side.</p> <p>-RW = Reversed Wiring</p> <p>#1 wire opposite position #1</p>	<p>-D "XX" = Daisy Chain, Double</p> <p>Same as -S "XX" except outer strip connected to conductor #2 and inside strip connected to conductor #1.</p>	<p>-M = Middle Reversed</p> <p>Requires -SXX, -WXX or -DXX</p> <p>-O = Outside Reversed</p> <p>Requires -SXX, -WXX or -DXX</p>								