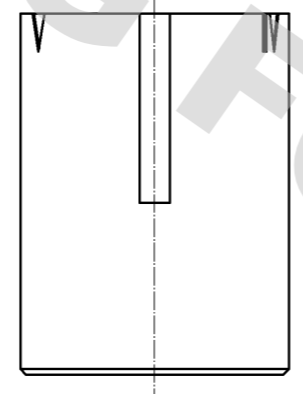
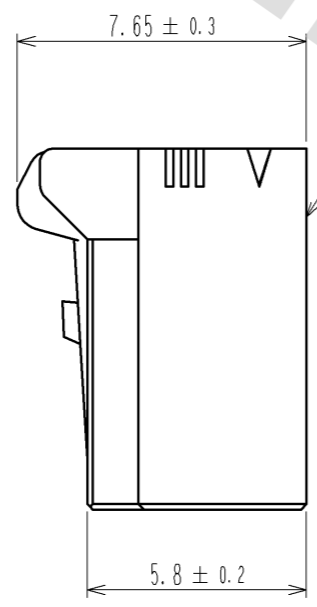
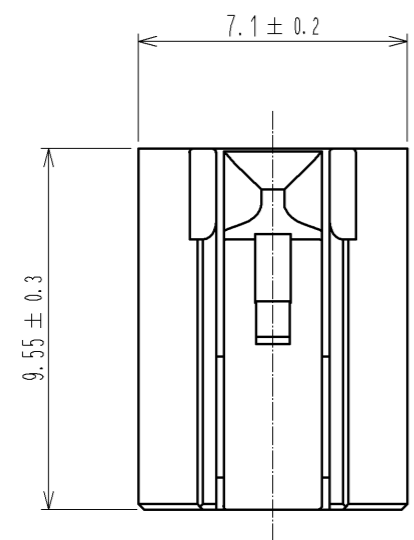
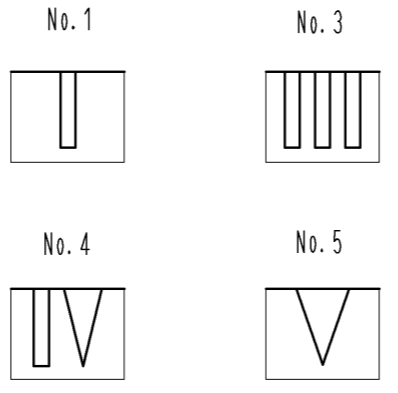
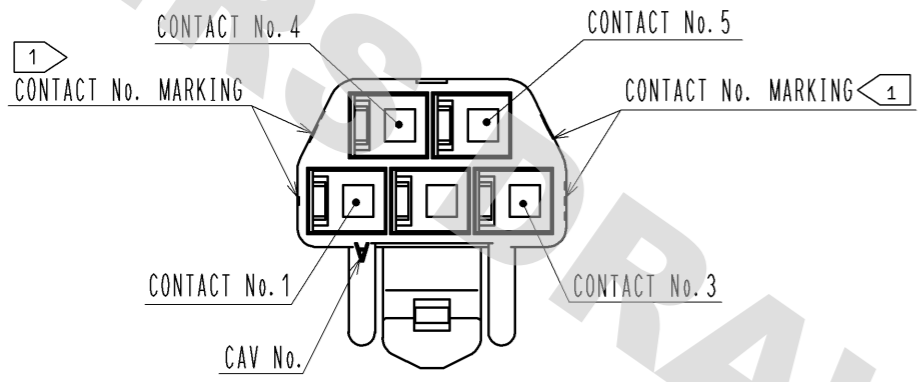
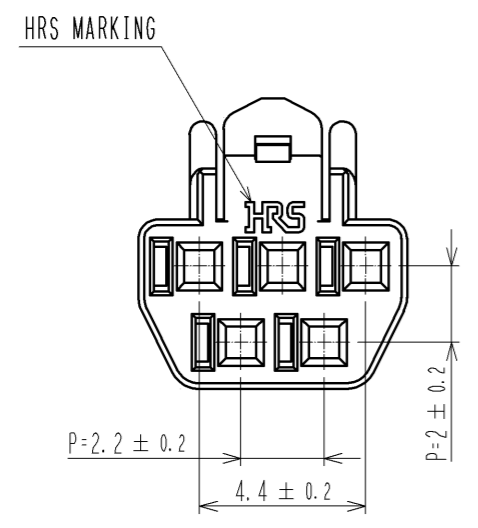
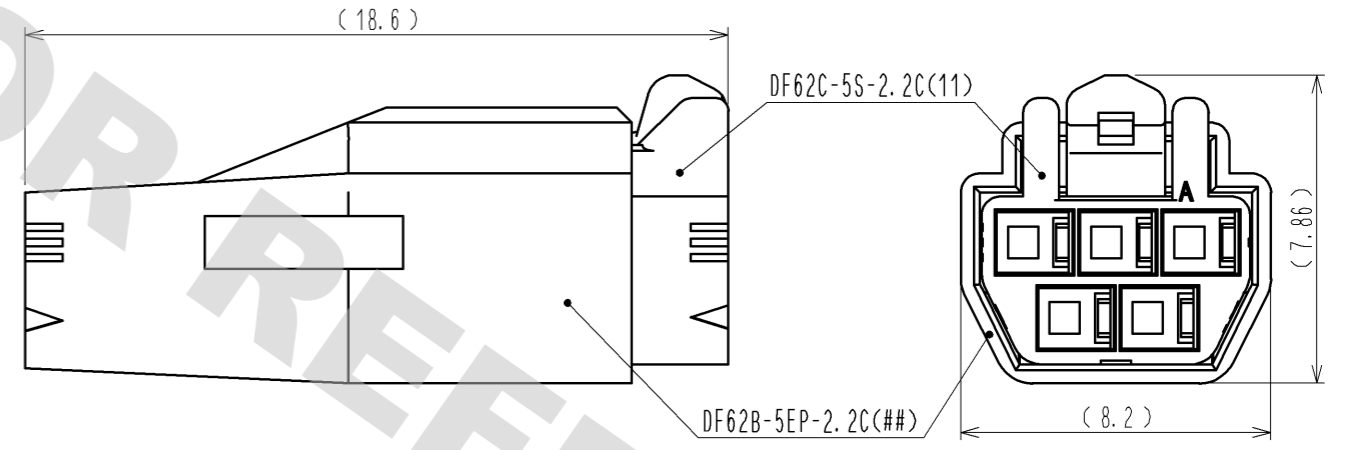


DRAWING FOR REFERENCE: This is subject to change without notice
12/05/2013

1 FIGURE-1 CONTACT No. MARKING (10:1)



MATING FIGURE



NOTE. 1 MARKINGS AT THE INDICATED POSITIONS ARE CONTACT NO. MARKING, AND SHAPES ARE SHOWN IN FIGURE-1.
2. PER PACK : 100 PIECES.
3. THE DIMENSIONS IN PARENTHESIS ARE FOR REFERENCE.

NO.		MATERIAL		FINISH . REMARKS		1	PBT	UL94V-0 (BLACK)
UNITS	mm	SCALE	5 : 1	COUNT	DESCRIPTION OF REVISIONS	DESIGNED	CHECKED	DATE
HRS		HIROSE ELECTRIC CO., LTD.		APPROVED : KI. AKIYAMA	13. 09. 17	DRAWING NO. EDC3-351973-01		
				CHECED : OM. MIYAMOTO	13. 09. 13	PART NO. DF62C-5S-2.2C(11)		
				DESIGNED : TH. YOSHIZAWA	13. 09. 13	CODE NO. CL544-0568-2-11		
				DRAWN : MI. SAKIMURA	13. 09. 09	1/1		