



Datasheet

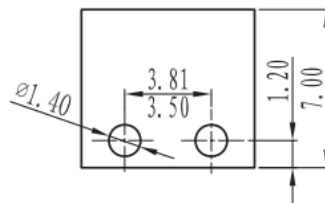
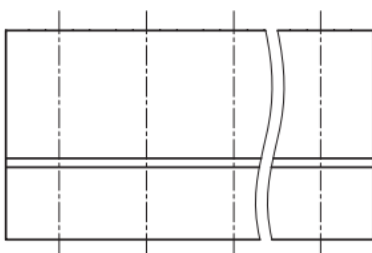
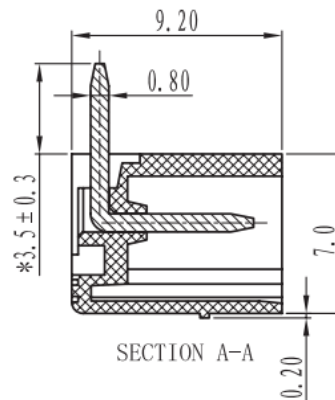
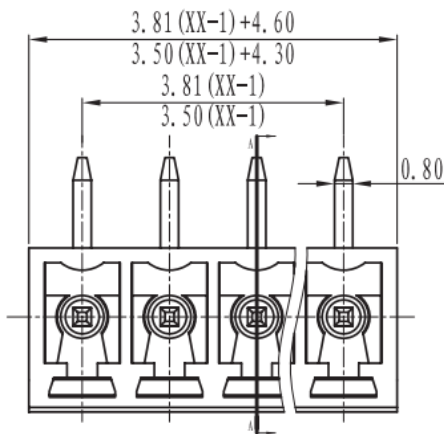
ENGLISH

New 3.5mm Header Horizontal 8A 12 Way

RS Stock 874-5231



Dimensions: (mm)





Specifications

- Rated Voltage: 300V 8A
- Rated Current: 8A
- Pitch: 3.81mm
- Contact Resistance: 20mΩ
- Insulation Withstands Voltage: AC 2000 V at 1 minute
- Insulation Resistance: 500ΩM or more at DC500V
- Using Temperature Range: -40°C ~ +105°C
- Suitable Electric Wire: 28~16 AWG
- RoHS Compliance

Materials

- Housing: PA66 / UL94V-0
- Pin Head: Brass Tin Plated

| | linear dimension | | | | | fillet | chamfer | | ∠ short angle sid | | | | ≡ | — | □ | // | ⊥ |
|----------------|------------------|-----------------------|-------------------------|--------------------------|-------------------|--------|---------|-----------------|-------------------|------------------------|-------------------------|-------------------|-----|---------|-----------------------|-------------------------|-------------------|
| | to | over 6 to 30 | over 30 to 120 | over 120 to 480 | over 480 to | all | to 6 | over 6 to | to 10 | over 10 to 50 | over 50 to 120 | over 120 to | all | to 5 | over 5 to 30 | over 30 to 120 | over 120 to |
| variable range | to 6 | over 6 to 30 | over 30 to 120 | over 120 to 480 | over 480 to | all | to 6 | over 6 to | to 10 | over 10 to 50 | over 50 to 120 | over 120 to | all | to 5 | over 5 to 30 | over 30 to 120 | over 120 to |
| tolerance | ±0.1 | ±0.2 | ±0.3 | ±0.5 | ±0.9 | ±0.2 | ±0.5 | ±1 | 1° | 30' | 20' | 10' | 0.5 | 0.025 | 0.06 | 0.12 | 0.4 |