


**Ordering number C12086**  
**Description 1**

Family Strada-Forward  
 Type Lens  
 LED LUXEON Rebel ES  
 Color Clear  
 Diameter 15.4 x 19.6 mm  
 Height 10.66 mm  
 Style Rectang  
 Optic Material PMMA  
 Holder Material -  
 Fastening -  
 Status Ready

FWHM Asym degrees  
 Efficiency 92 %  
 cd/Im -  
 Gerber File Available

[http://www.ledil.fi/Strada-F\\_Fully\\_Asymmetrical\\_Forward\\_Thro](http://www.ledil.fi/Strada-F_Fully_Asymmetrical_Forward_Thro)

**Ordering number CA12087**  
**Description 1**

Family Strada-Forward  
 Type Assembly  
 LED LUXEON Rebel ES  
 Color Clear  
 Diameter 15.4 x 19.6 mm  
 Height 10.8 mm  
 Style Rectang  
 Optic Material PMMA  
 Holder Material -  
 Fastening -  
 Status Ready

FWHM Asym degrees  
 Efficiency 92 %  
 cd/Im -  
 Gerber File Available

[http://www.ledil.fi/Strada-F\\_Fully\\_Asymmetrical\\_Forward\\_Thro](http://www.ledil.fi/Strada-F_Fully_Asymmetrical_Forward_Thro)



# PRODUCT DATASHEET

## Strada-Forward series

last update 11/4/2012

PHILIPS  
LUMILEDS

**NOTE: The typical divergence will be changed by different color, chip size and chip position tolerance. The typical total divergence is the full angle measured where the luminous intensity is half of the peak value.**

D

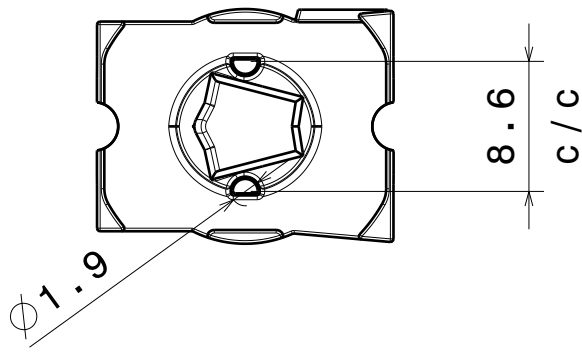
C

B

A

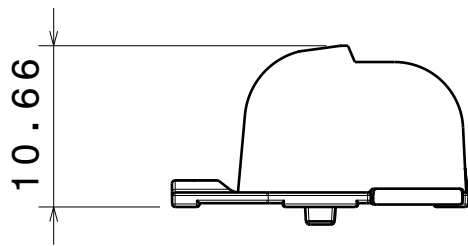
4

4



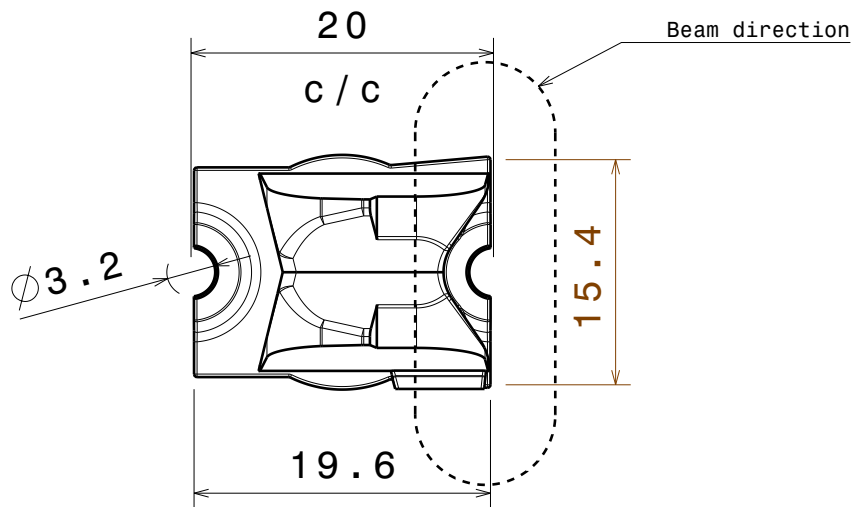
3

3



2

2



MATERIALS  
Lens: PMMA

This drawing is our property.  
It can't be reproduced  
or communicated without  
our written agreement.



Ledil Oy  
Salorankatu 10  
24240 SALO  
Finland

DRAWING TITLE

Datasheet Strada-FW lens

DRAWN BY

ah

DATE

6.7.2012

CHECKED BY

ah

DATE

6.7.2012

DESIGNED BY

hh

DATE

22.8.2011

SIZE

A4

DRAWING NUMBER

C12086

REV

2

SCALE

2:1

WEIGHT (g)

SHEET

1/1

D

A

1

1