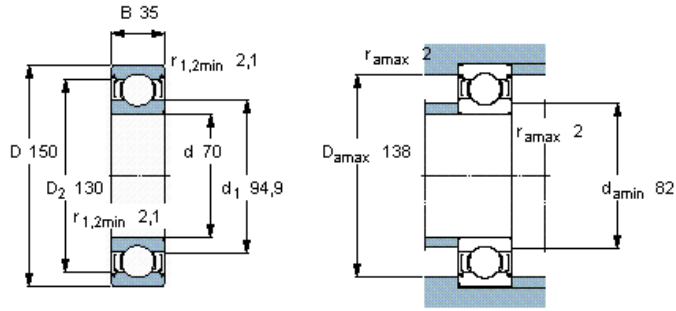




United... Products Bearings, units and... Ball bearings Deep groove ball bearings SKF Energy Efficient (E2) deep groove ball bearings  
 Deep groove ball bearings, single row, SKF Energy Efficient (E2) bearings

| Principal dimensions |     |    | Basic load ratings |                          | Speed ratings            | Limiting speed | Designation   |
|----------------------|-----|----|--------------------|--------------------------|--------------------------|----------------|---------------|
| d                    | D   | B  | dynamic<br>C       | static<br>C <sub>0</sub> | Reference speed<br>r/min |                |               |
| m.m                  |     |    | kN                 |                          |                          |                | -             |
| 70                   | 150 | 35 | 104                | 68                       | 11000                    | 5000           | E2.6314-2Z/C3 |



**Calculation factors**

$k_r$  0,03  
 $f_0$  13