

## Standard Blocks D 6/8...ADO - ADO to Screw Blocks

### ADO

#### Insulation displacement

**A.D.O. side**  
**1 to 2.5 mm<sup>2</sup>**  
**16 to 14 AWG**  
**One or two wires**



For multiple wire connections on the ADO side, the wires must be the same size and nature (stranded or solid).

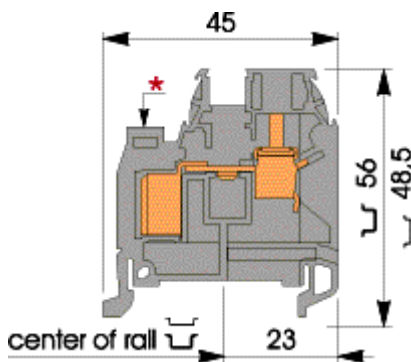
#### Screw clamp connection

**Screw side**  
**0 to 6 mm<sup>2</sup>**  
**22 to 8 AWG**  
**One, two, or three wires**



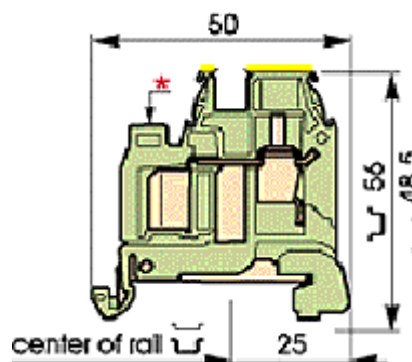
### D 6/8...ADO

Spacing 8 mm (.238")



### D 6/8.P... ADO

Spacing 8 mm (.315")

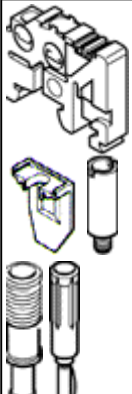


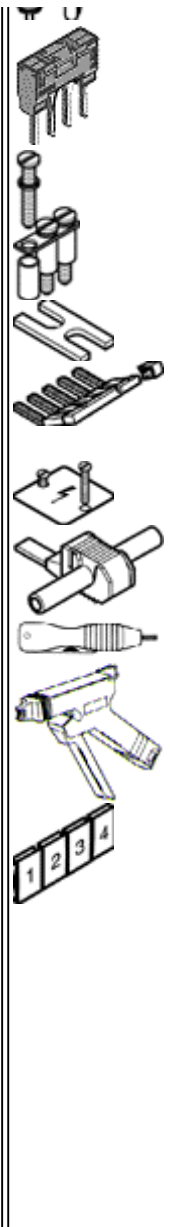
Terminal block for ground wire with or without rail contact

		Type	P/N
Standard blocks	Grey body	D 6/8.ADO	199 042.25
	Blue body	D 6/8.N.ADO	199 044.27
	Yellow body	D 6/8.ADO	199 072.23
	Orange body	D 6/8.ADO	199 043.26
	Green body	D 6/8.ADO	199 073.24

	Red body	D 6/8.ADO	199 075.26		
	Black body	D 6/8.ADO	199 077.20		
	Ivory body	D 6/8.ADO	199 076.27		
Terminal blocks for ground wires	Marking yellow+green body (with rail contact)	D 6/8.P.ADO	199 118.26		
	Marking green+yellow body (without rail contact)	D 6/8.PI.ADO	199 045.20		
<b>Characteristics</b>			<b>IEC NFC VDE</b>	<b>UL</b>	<b>CSA</b>
<b>Wire size mm<sup>2</sup> / AWG</b>	Screw	Solid wire	0 to 10	22 to 8 AWG	22 to 8 AWG
		Stranded wire	0 to 6		
	A.D.O.	Solid wire	1 to 2.5	16 to 14 AWG	16 to 14 AWG
		Stranded wire	1 to 2.5		
<b>Rated voltage</b>		V	630	600	600
<b>Rated current</b>		A	24 (3)	25	25
<b>Rated wire size</b>		mm <sup>2</sup> / AWG	2.5 mm <sup>2</sup>	8/14 AWG	8/14 AWG
<b>Wire stripping length (screw side)</b>		mm / inches	12 mm/.47"		
<b>Recommended torque (screw side)</b>		Nm / lb.in	0.8 Nm/7.1 lb.in		

Other models available for specific applications. Consult our catalog for full line offering.

Accessories		Type		P/N	
	End stop (all rails)		BADL	th. 9	199 408.02
	End section	grey	FEDAD1	th. 3	199 336.20
		yellow	FEDAD1	th. 3	199 339.03
	Circuit separator	grey	SCAD*		196 896.00
	Test socket	DIA. 2 mm	AL2 (1)*		163 043.21
		DIA. 3 mm	AL3 (1)*		163 261.00
	Test device		DCO	orange	173 060.00
	Test plug		FC2		007 865.26



Screwless jumper bar	2 poles	BJE8.2*	299 712.05
	3 poles	BJE8.3*	299 713.06
	4 poles	BJE8.4*	299 714.07
	5 poles	BJE8.5*	299 715.00
	6 poles	BJE8.6*	299 716.01
	7 poles	BJE8.7*	299 717.02
	8 poles	BJE8.8*	299 718.13
	9 poles	BJE8.9*	299 719.14
	10 poles	BJE8.10*	299 720.11
	BJE Extension		BJB
Jumper bar not preassembled	BJS8*	15 poles	174 788.04
	BJS8*	20 poles	174 789.05
Post+screw+washer	EV6*		168 604.16
Pivoting jumper bar	BJP8*		174 448.07
Connector plate	EL6*		173 627.21
Comb type jumper bar	PC8	10 poles	163 313.24
Protection label	EP6*	3 blocks	163 427.17
	EP8*	4 blocks	163 428.20
Screw for protection label	VSP6*		163 433.15
IDC jumper	AD2,5		114 205.20
Manual tool	OUMAD		179 466.06
Semi - automatic tool	OUPAD		178 944.04
Markers See accessories section.	RTM7		

\*These accessories not mounted on D 6/8.P.ADO block

- (1) A circuit separator SCAD is required to conserve rated voltage with these accessories.
- (2) Short-circuit current for D 4/6.P... .ADO: 180A/1s.
- (3) Short-circuit current for D 6/8.P... .ADO: 300A/1s.

Other accessories, see accessories section.

---

