



# PRODUCT DATASHEET

## RGBX series

last update 17/10/2012

### DETAILS

|                        |                |
|------------------------|----------------|
| <b>Product Number</b>  | CP10944_RGBX-M |
| <b>Family</b>          | RGBX           |
| <b>Type</b>            | Assembly       |
| <b>Color</b>           | black          |
| <b>Diameter</b>        | 30.4 mm        |
| <b>Height</b>          | 28.8 mm        |
| <b>Style</b>           | round          |
| <b>Optic Material</b>  | PMMA           |
| <b>Holder Material</b> | PC             |
| <b>Fastening</b>       | glue           |
| <b>Status</b>          | ready          |
| <b>ROHS Compliant</b>  | Yes            |
| <b>Date Updated</b>    | 17/10/2012     |



### OPTICAL PROPERTIES

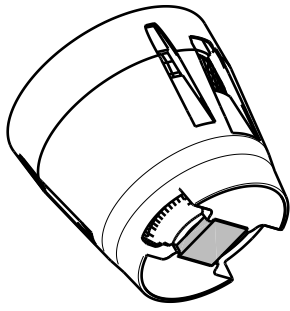
| LED      | Viewing Angle | Light Beam | Efficiency | cd/lm      | Connector |
|----------|---------------|------------|------------|------------|-----------|
| MC-E RGB | 26 deg        | Medium     | 72 %       | sim: 0.000 | -         |

D

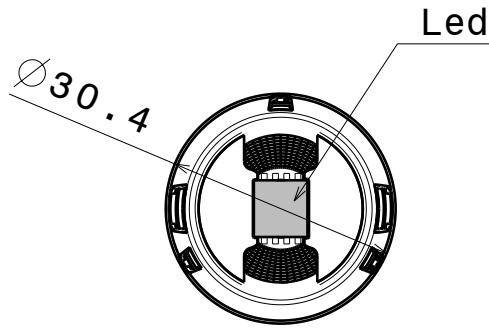
C

B

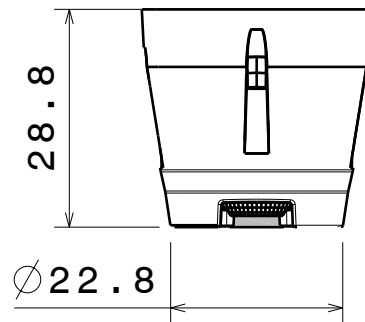
A



Isometric view

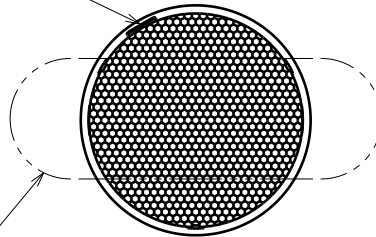


Bottom view



Front view

Note:  
Sublens position guide



Top view

Materials:  
Lens PMMA  
Holder PC Black  
Sublens PC

Beam direction in  
Oval-version

This drawing is our property.  
It can't be reproduced  
or communicated without  
our written agreement.



L T F F  
e e i n  
i n

DRAWING TITLE

Datasheet RGBX-MC Assy

DRAWN BY

DATE

p

15.11.2010

CHECKED BY

DATE

t

k

02.04.2009

DESIGNED BY

DATE

pv

02.04.2009

SIZE

A4

DRAWING NUMBER

REV

0.1

SCALE

1:1

WEIGHT (g)

SHEET

1/1

D

A

4

4

3

3

2

2

1

1

**NOTE: The typical divergence will be changed by different color, chip size and chip position tolerance. The typical total divergence is the full angle measured where the luminous intensity is half of the peak value.**

### **GENERAL INFORMATION**

- Product series especially designed & optimized for series of LEDs.
- Special care taken to make light distribution as uniform as possible.
- Fastening to PCB with appropriate adhesive. By clicking link below you can find Ledil recommended glue options.  
[http://www.ledil.com/datasheets/DataSheet\\_GLUES.pdf](http://www.ledil.com/datasheets/DataSheet_GLUES.pdf)

**NOTE 1: We advise customer to ensure the suitability and sufficiency of the bond in the end product. For example, mechanical stress, vibration and holes on the surface of the circuit board weaken the strength of the glue.**

**NOTE 2: All surfaces where glue is applied must be clean, dry and free from grease and dirt. If cleaning of PCB surfaces is needed, please follow strictly the cleaning instructions of your LED manufacturer -this is important as cleaning shall under no circumstances damage LEDs or other electronics components on the PCB.**

**Further note that optical components shall not be cleaned with any chemicals - only micro fiber cloth may be used to remove fingerprints or other traces from handling.**