

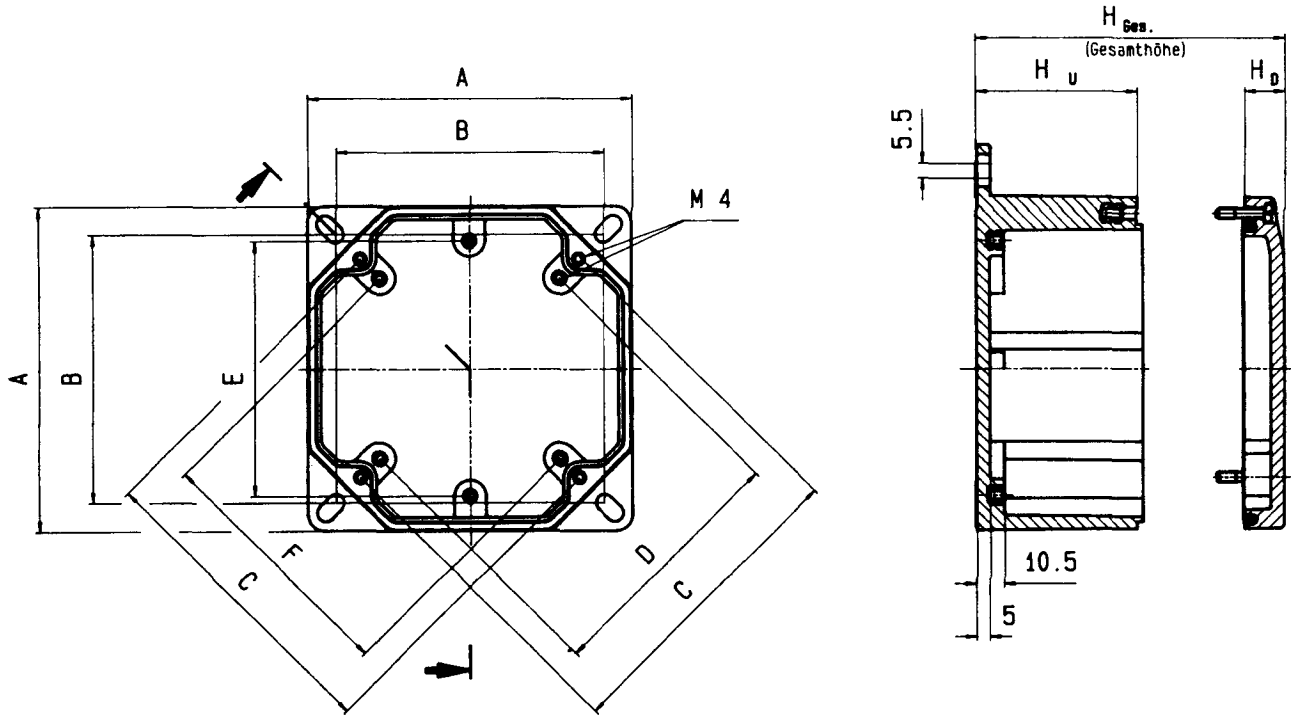


# Technical Library

# Octagonal IP66 Box Dimensions

RS Stock No.  
229-0700  
229-0693

Manufacturer Part No.  
26.88 02 00  
26.88 03 00



Unterteil / Base

| Typ / Type  | A   | B   | C   | D  | E   | F  | H <sub>u</sub> | H <sub>D</sub> | H <sub>Ges</sub> |
|-------------|-----|-----|-----|----|-----|----|----------------|----------------|------------------|
| 06.88 02 00 | 121 | 100 | 118 | 92 | 92  | -  | 60,5           | 15             | 75,5             |
| 16.88 02 00 | 121 | 100 | 118 | 92 | 92  | -  | 60,5           | 15             | 75,5             |
| 26.88 02 00 | 121 | 100 | 118 | 92 | 92  | -  | 60,5           | 15             | 75,5             |
| 06.88 03 00 | 161 | 140 | 175 | 99 | 132 | 99 | 73             | 20             | 93               |
| 16.88 03 00 | 161 | 140 | 175 | 99 | 132 | 99 | 73             | 20             | 93               |
| 26.88 03 00 | 161 | 140 | 175 | 99 | 132 | 99 | 73             | 20             | 93               |

RS Components shall not be liable for any liability or loss of any nature (howsoever caused and whether or not due to RS components' negligence) which may result from the use of any information provided in RS literature.

RS Components Ltd. PO Box 99, Corby, Northants, NN17 9RS

An Electrocomponents Company

Telephone: 01536 201234  
© RS Components Ltd. 1998