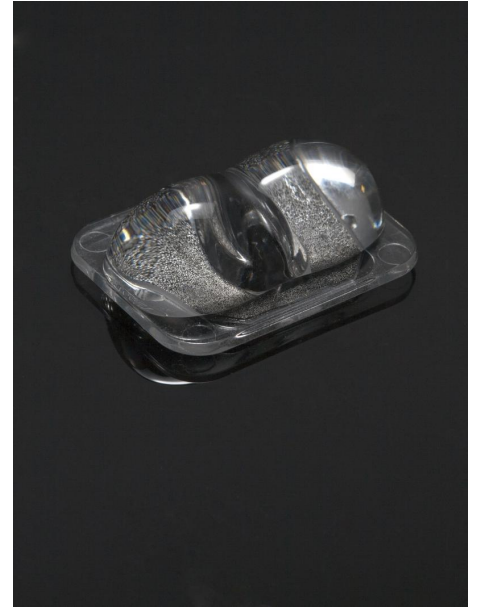


DETAILS

Product Number	CA14523_EMERALD-MAXI-A
Family	EMERALD
Type	Lens
Color	clear
Diameter	33 x 25 mm
Height	12.2 mm
Style	rectang
Optic Material	PMMA
Holder Material	
Fastening	pin, tape
Status	ready
ROHS Compliant	Yes
Date Updated	4/11/2014



OPTICAL PROPERTIES

LED	Viewing Angle	Light Beam	Efficiency	cd/lm	Connector
XM-L	Asym deg	Wide-Area...	92 %	2.000	-
XM-L2	Asym deg	Wide-Area...	93 %	1.900	-
LUXEON MZ	Asym deg	Wide-Area...	92 %	2.100	-
LUXEON M	Asym deg	Wide-Area...	92 %	1.200	-

D

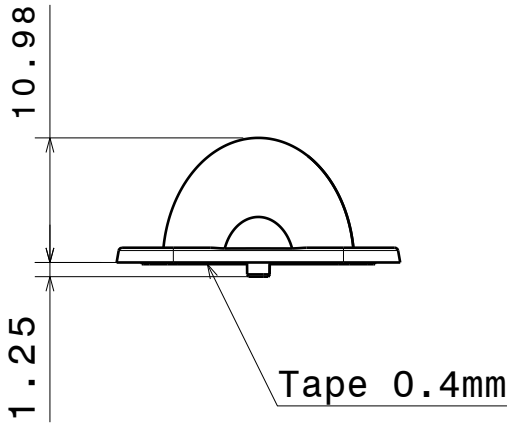
C

B

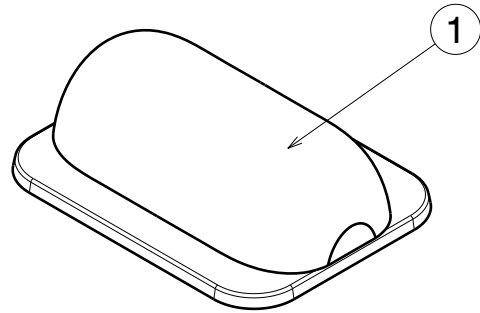
A

4

4



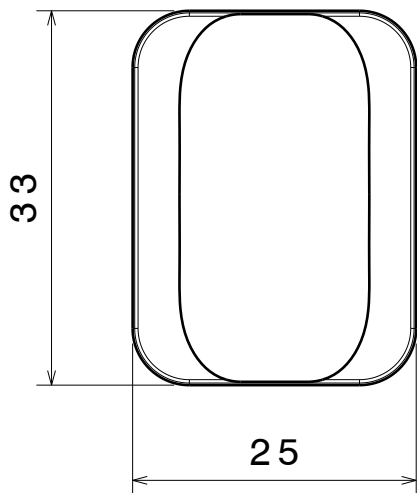
Left view



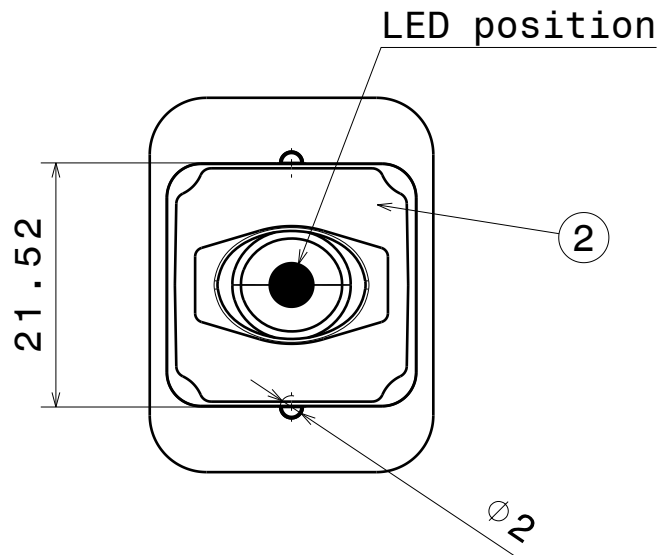
Isometric view

3

3



Top view



Bottom view

2

2

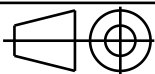
INDEX	PART NO	DESCRIPTION	MATERIAL	COLOUR
1	C14522	EMERALD-MAXI-A	PMMA	clear
2	-	ROSE-TAPE	PU foam	black

Tolerances if not otherwise shown
 According to DIN ISO 2768-1
 Linear measures: class C
 According to DIN ISO 2768-2
 Form and position: class L



Ledil Oy
 Salorankatu 10
 FIN 24240 SALO
 Finland

THIRD ANGLE PROJECTION:



DRAWING TITLE

CA14523_EMERALD-MAXI-A

This drawing is the property
 of LEDiL Oy. It may not be
 reproduced, copied or
 communicated without a written
 agreement with LEDiL Oy.

SIZE

PART NUMBER

A4

CA14523

SCALE

3:2

WEIGHT

4,6 g

SHEET

1/1

1

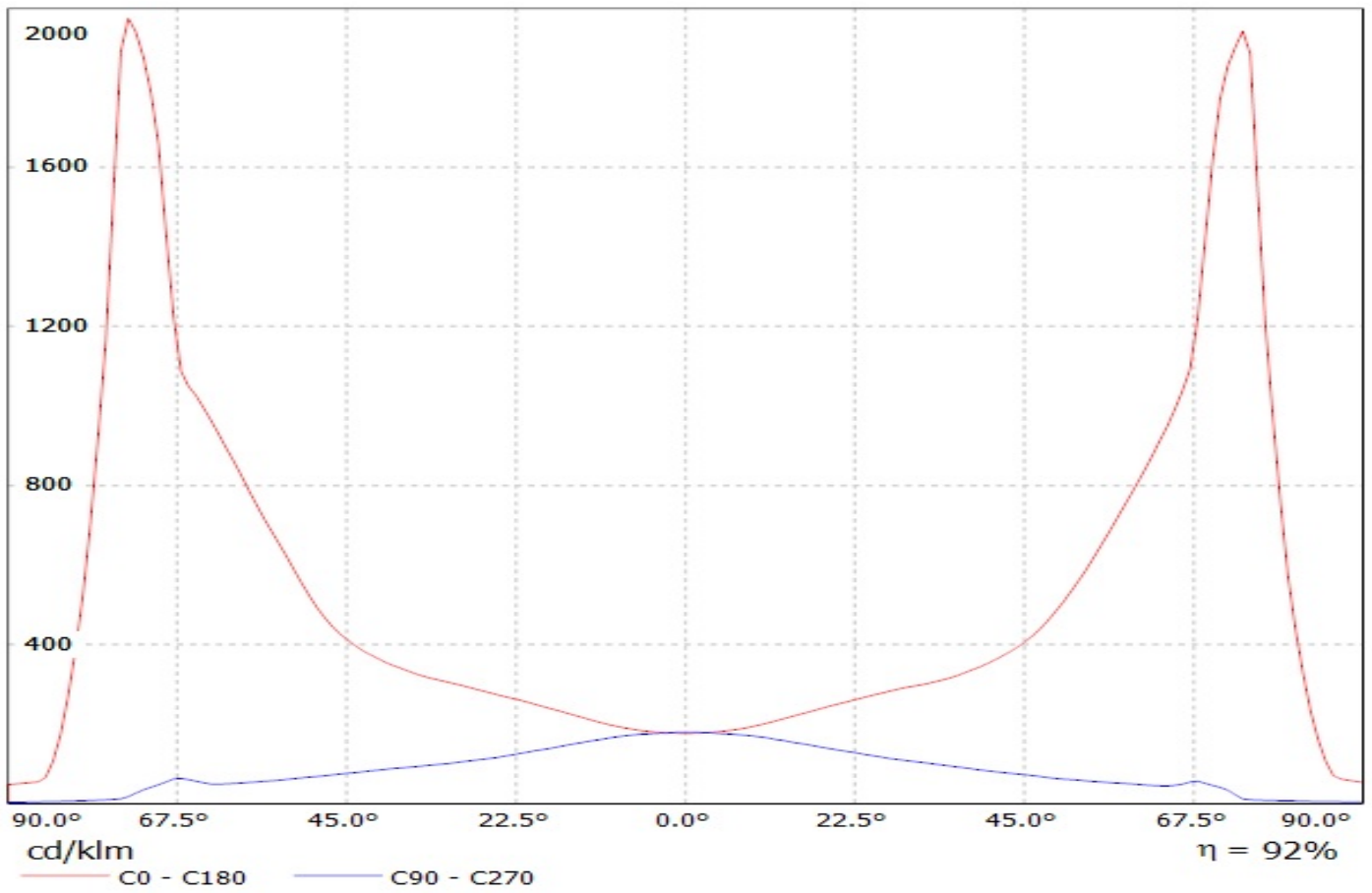
1

D

A

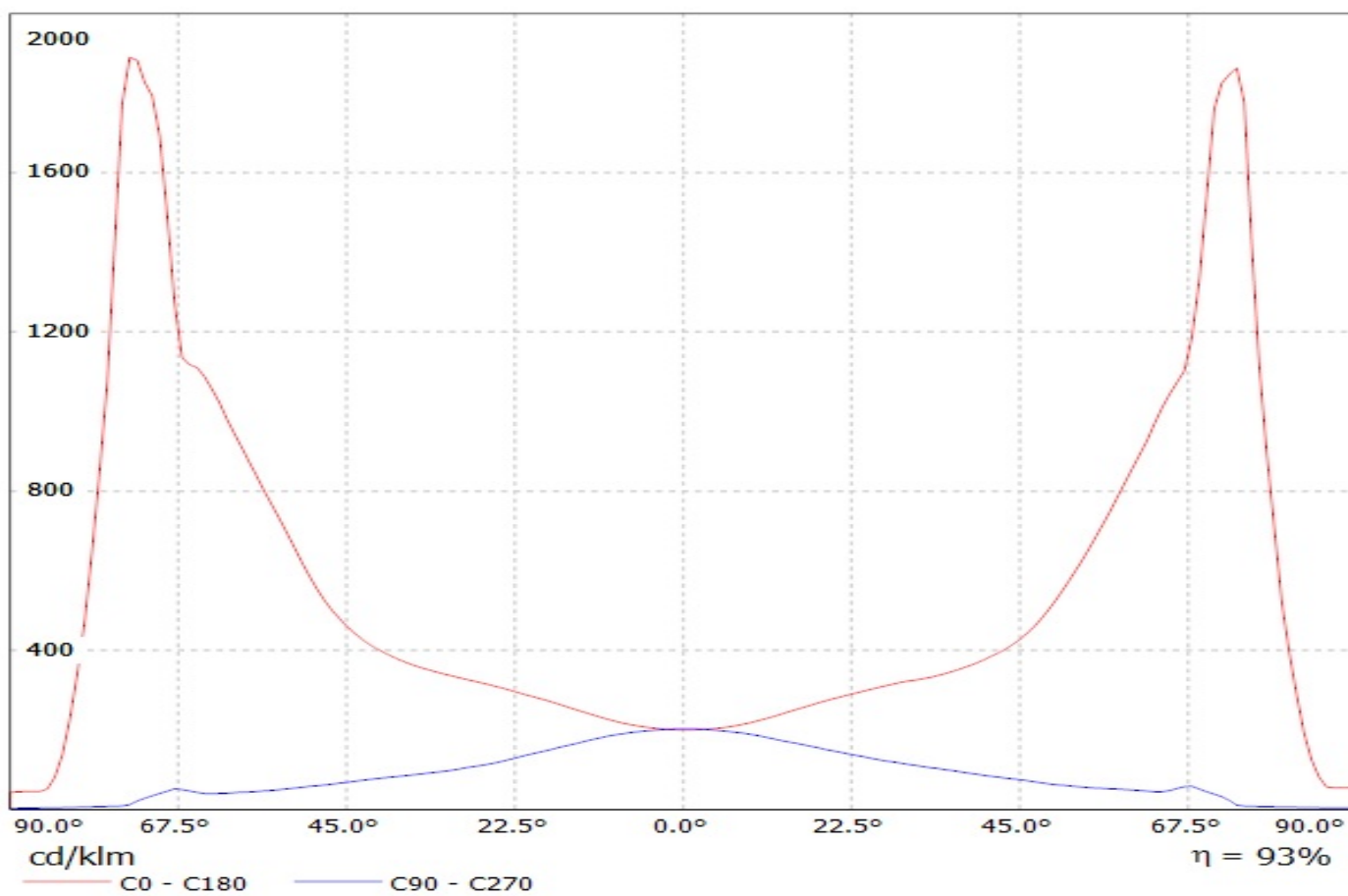
Luminaire: LEDiL Oy CA14523_EMERALD-MAXI-A_(XM-L)

Lamps: 1 x Cree_XM-L_(XMLAWT-00-0000-0000T6051)_99.7619lm@250mA_P=0.728908W_I=249.8mA



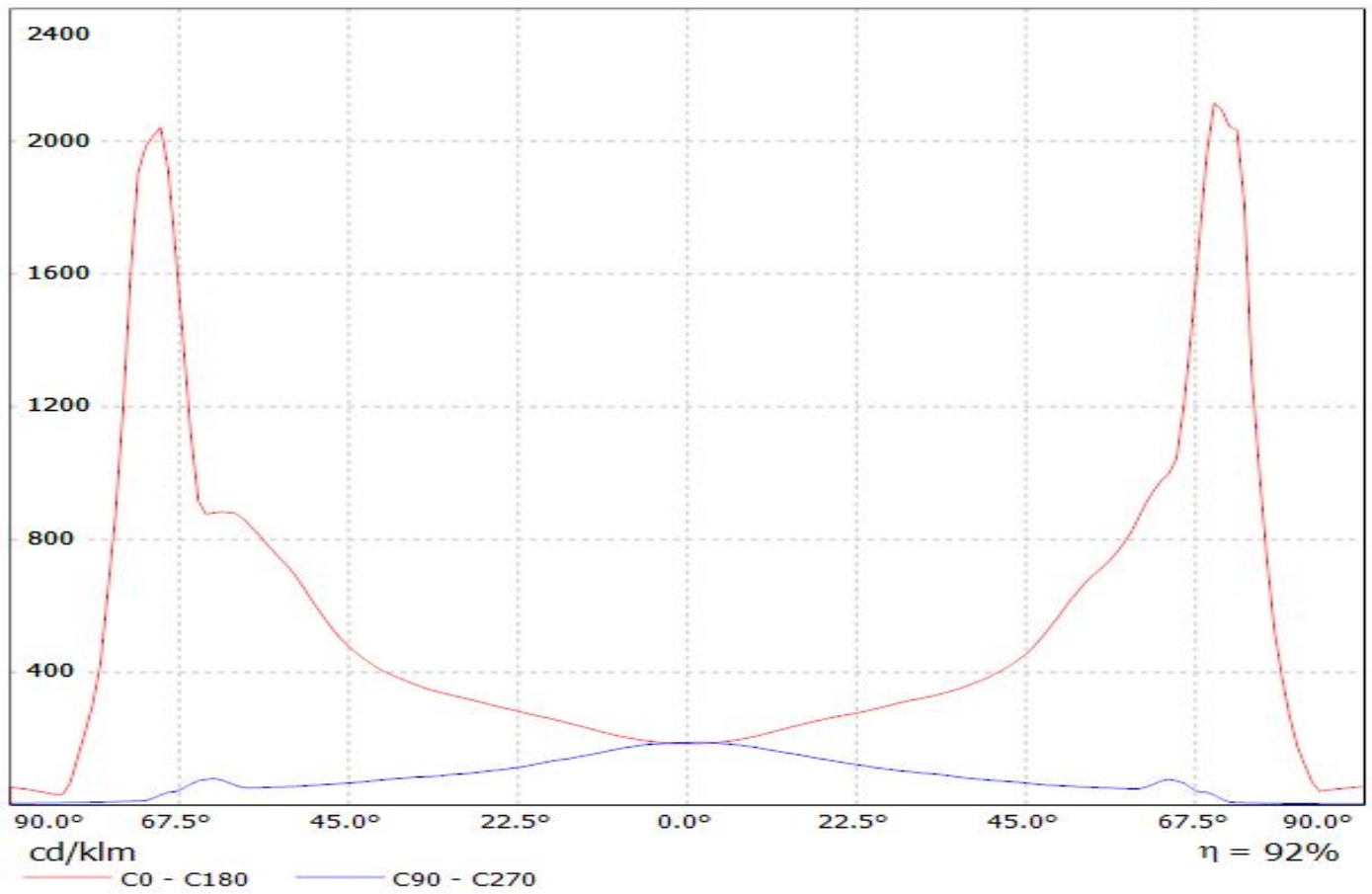
Luminaire: LEDiL Oy CA14523 EMERALD-MAXI-A (XM-L2)

Lamps: 1 x Cree_XM-L2_(XMLBWT-0-7B4-T30-0L-0001)_95.8461lm@250mA_P=0.73733W_I=249.9mA



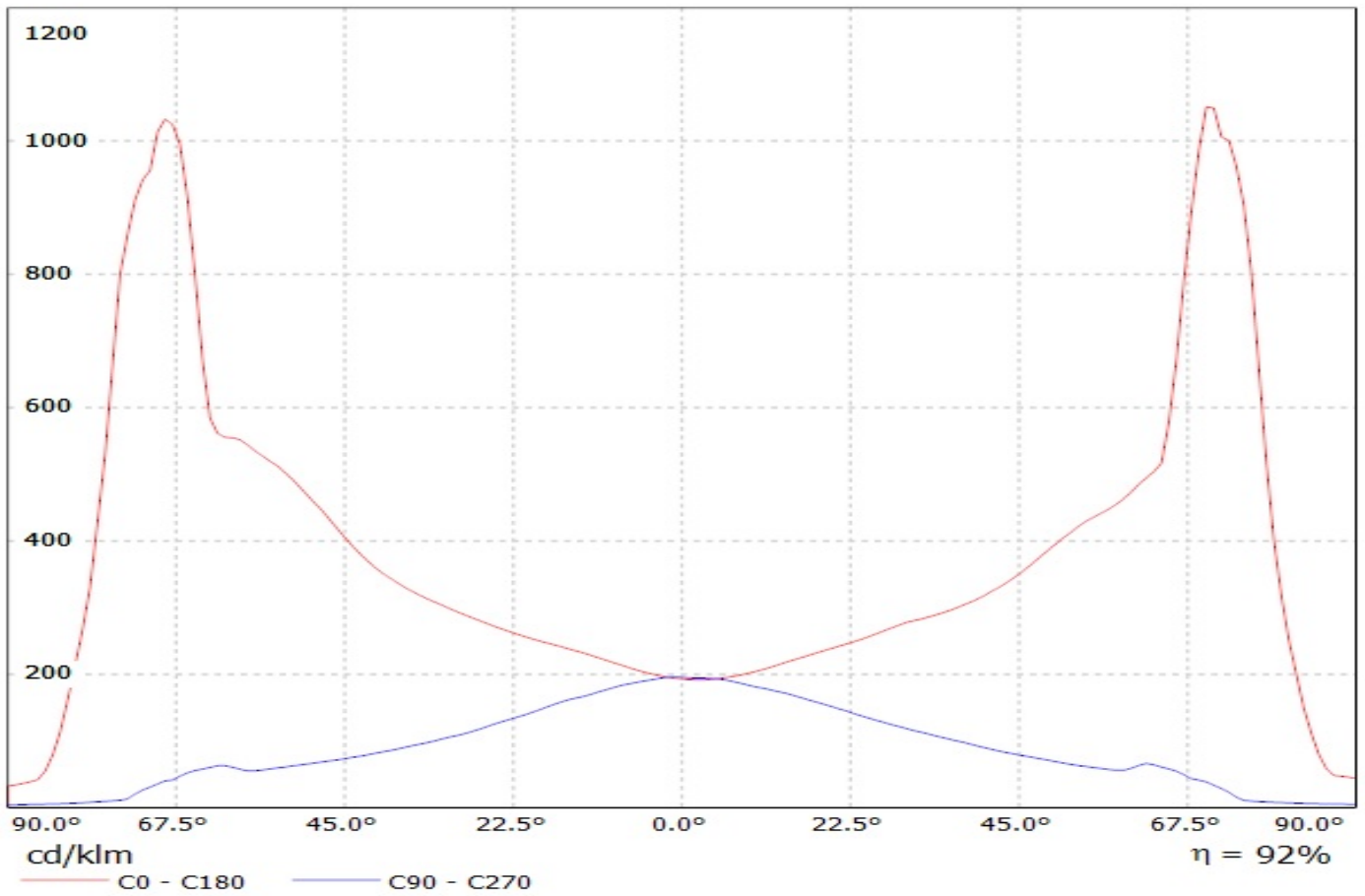
Luminaire: LEDiL Oy CA14523_EMERALD-MAXI-A_(Luxeon_MZ)

Lamps: 1 x Philips_Lumileds_Luxeon_MZ_(LMZ9-SW30)_272.416lm@250mA_P=2.77528W_I=249.8mA



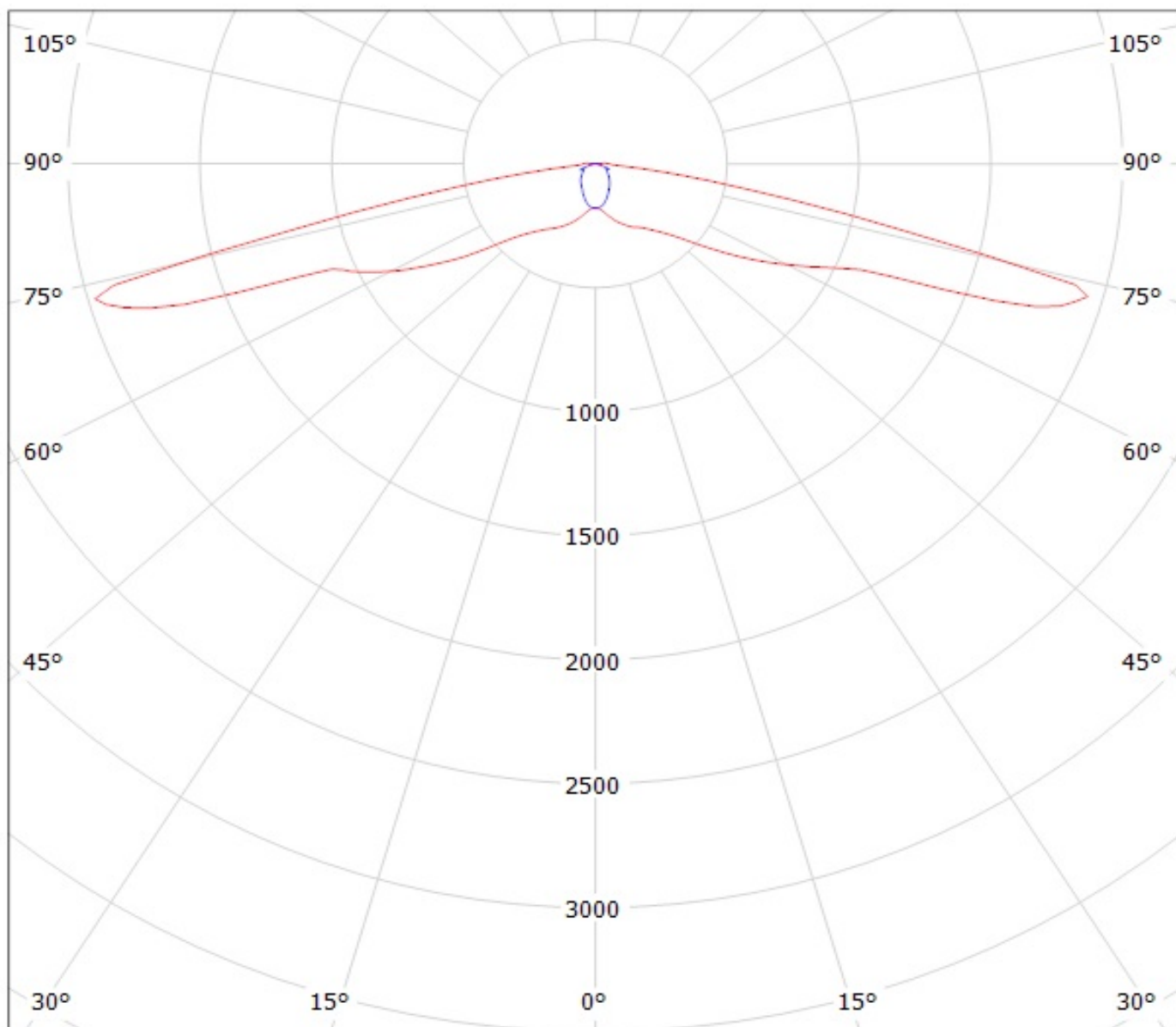
Luminaire: LEDiL Oy CA14523_EMERALD-MAXI-A_(Luxeon_M)

Lamps: 1 x Philips_Lumileds_Luxeon_M_(LXR7-SW40)_335.652lm@250mA_P=2.72532W_I=249.8mA



Luminaire: LEDiL Oy CA14523_EMERALD-MAXI-A_(XM-L)

Lamps: 1 x Cree_XM-L_(XMLAWT-00-0000-0000T6051)_99.7619lm@250mA_P=0.728908W_I=249.8mA



cd/klm

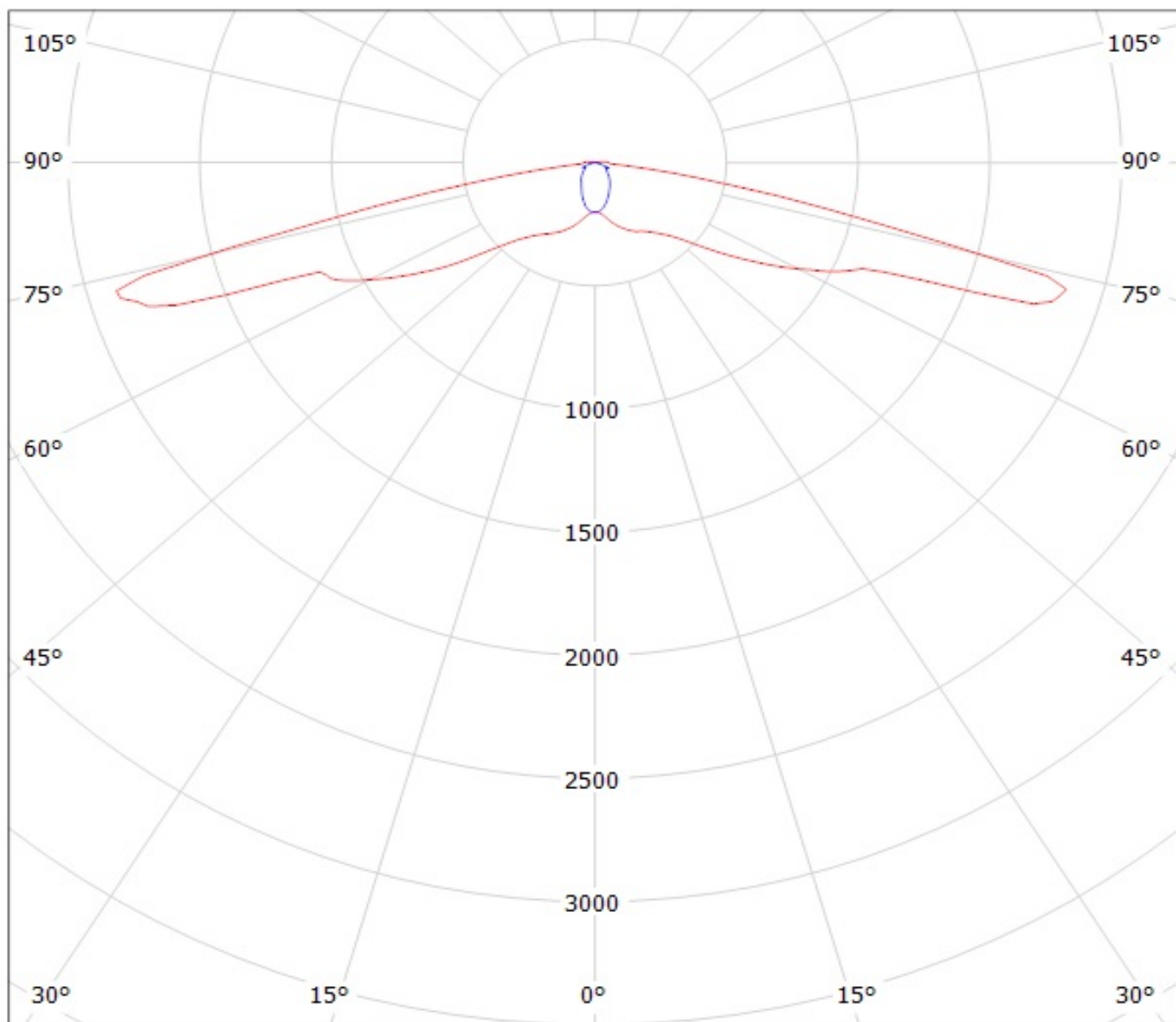
— C0 - C180

— C90 - C270

$\eta = 92\%$

Luminaire: LEDiL Oy CA14523_EMERALD-MAXI-A_(XM-L2)

Lamps: 1 x Cree_XM-L2_(XMLBWT-0-7B4-T30-0L-0001)_95.8461lm@250mA_P=0.73733W_I=249.9mA



cd/klm

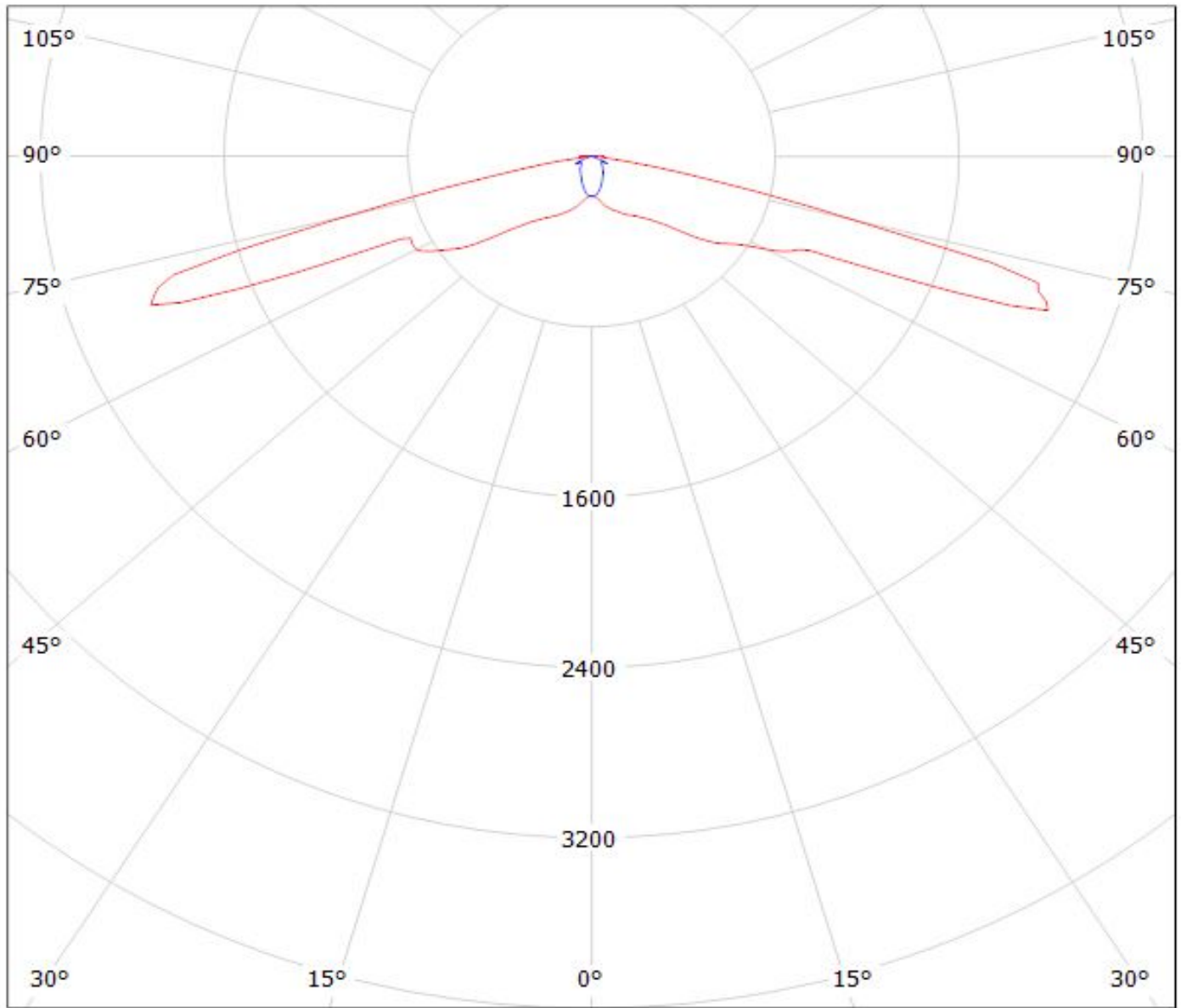
— C0 - C180

— C90 - C270

$\eta = 93\%$

Luminaire: LEDiL Oy CA14523_EMERALD-MAXI-A_(Luxeon_MZ)

Lamps: 1 x Philips_Lumileds_Luxeon_MZ_(LMZ9-SW30)_272.416lm@250mA_P=2.77528W_I=249.8mA



cd/klm

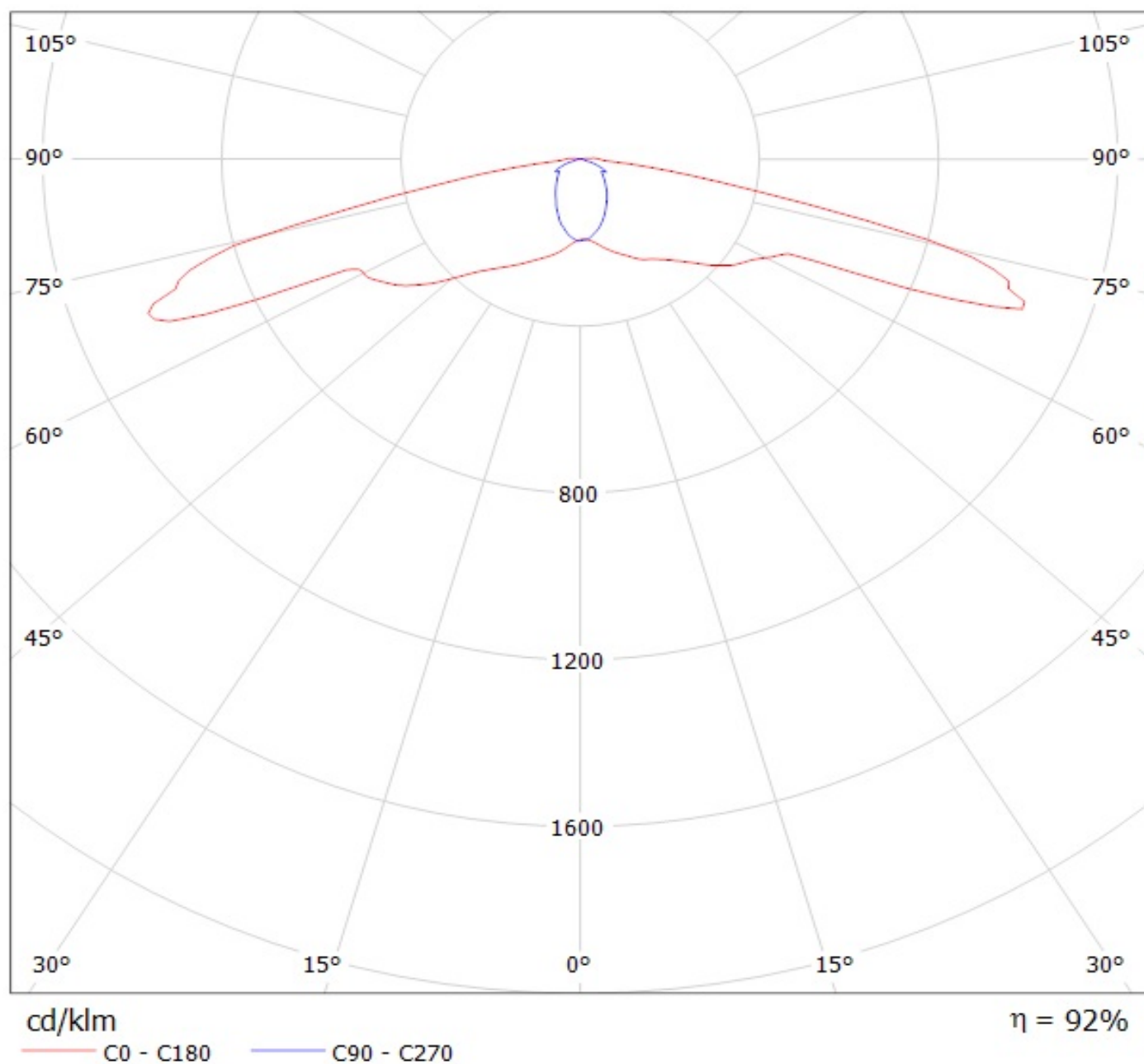
— C0 - C180

— C90 - C270

$\eta = 92\%$

Luminaire: LEDiL Oy CA14523_EMERALD-MAXI-A_(Luxeon_M)

Lamps: 1 x Philips_Lumileds_Luxeon_M_(LXR7-SW40)_335.652lm@250mA_P=2.72532W_I=249.8mA



NOTE: The typical divergence will be changed by different color, chip size and chip position tolerance. The typical total divergence is the full angle measured where the luminous intensity is half of the peak value.