

Datasheet

Metal Buffer Rubber +80°C 150daN -40°C Threaded Stud 85mm 15 (Dynamic) mm, 8 (Static) mm 350 (Dynamic)daN M10

RS Stock number 811-2555

RS Diabolo Buffers

The elastic buffers can be used in these two possibilities:

As Buffers:

The impact takes place as an end of stroke, taking into account the maximum deflection the stop may give.

As elastic mounts.

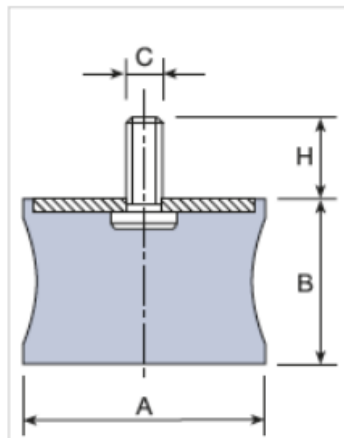
When installed as elastic mounts, the buffers may be screwed to the base of the machine so that its flat surface rests directly on the floor or ground.

Applications

As buffers: In any case for limiting a flexible element.

- End of stroke of spring or damper.
- End of stroke of cranes and hoists.
- Setting of fragile material in packing.

Technical data



RS Ref:	AMC Ref:	A	B	C	H	DYNMIC		STATIC	
						LOAD max. daN	DEFLECT. mm	LOAD max. daN	DEFLECT. mm
8112546	114001	30	23	M-8	20	90	9	40	5
8112533	114003	60	44	M-8	20	100	10	40	4
8112555	114005	60	60	M-10	25	350	15	150	8
8112586	114008	95	70	M-16	45	1000	18	400	9,5